

## MS182 DESKTOP SPEAKER STAND

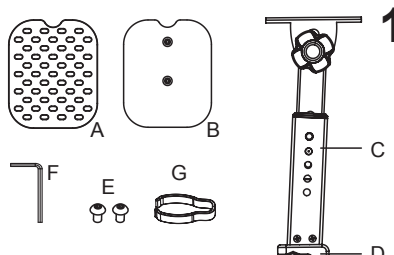
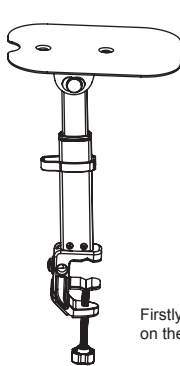
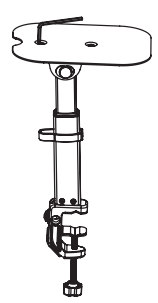
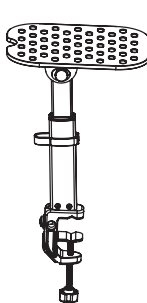
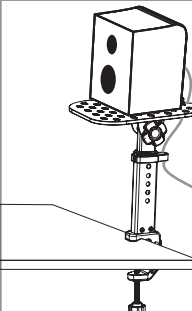
### GENERAL INTRODUCTION

MS182 is a desktop monitor speaker stands which made by solid steel, alum and rubber. Its height adjustable and angle adjustable allow you to set the optimum speaker position in your set-up. The rubber cap in the top plate reduces the vibration during listening experience. Its clipping style saves the space and more exquisite when using in studio.

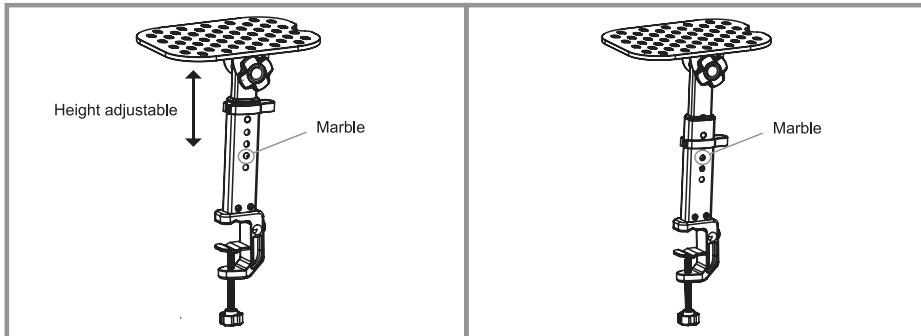
### FEATURES

- \* Desktop speaker stand;
- \* Features height adjustable and angle adjustable;
- \* Rubber cap reduces the vibration.

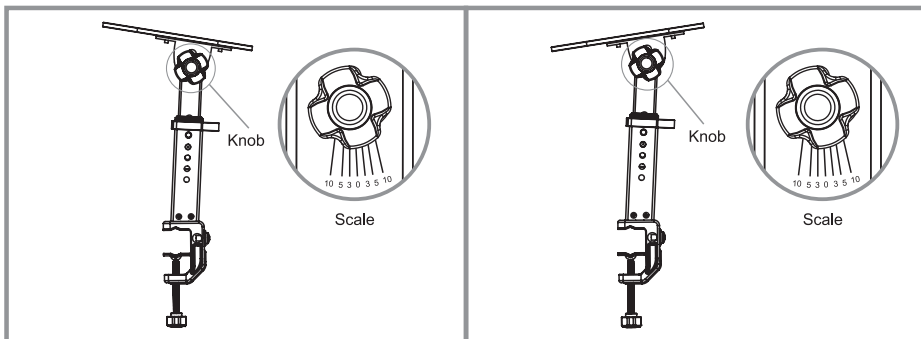
### INSTALLATION INSTRUCTIONS

 <p>Componen :          A. Rubber cap B. Top speaker plate          C. Stand D. Clamp          E. Hexagon thumbscrew          F. Hexagon wrench          G. Cable clip</p>	 <p>2</p> <p>Firstly, put the top speaker plate (B) on the stand's (C) top.</p>	
 <p>3</p> <p>Secondly, use the hexagon wrench (F) to fasten two hexagon thumbscrews (E) on the top speaker plate (B).</p>	 <p>4</p> <p>Thirdly, put the rubber cap (A) on the top speaker plate (B).</p>	 <p>5</p> <p>Finally, clip the clamp(D) on the desk then put the speaker cable along with cable casing and then through the cable clip(G).</p>

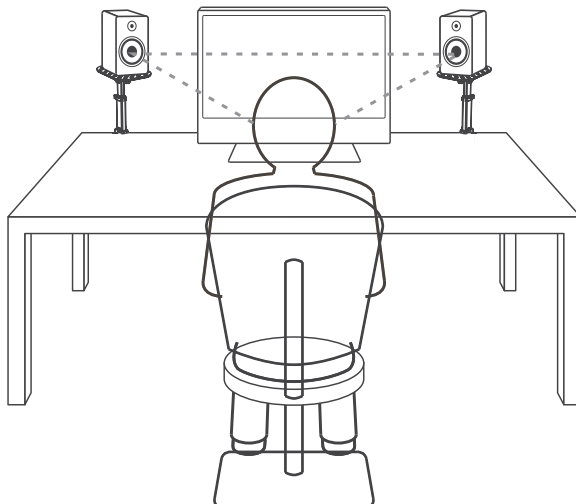
## PRODUCT APPLICATION



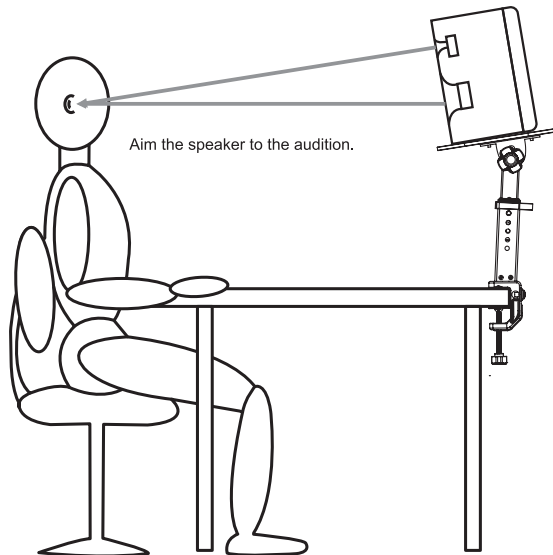
Press the marble you can adjust the height. Height adjustable allow you set-up in four-level which can suitable for most consumer.



Loosen the knob you can adjust the angle(adjustable angle 10°, 5°, 3°,0°,3°,5°,10°). A 10°forward through to 10°backward tilt range allows you to set the optimum speaker face angle for each speaker set-up.



Place your desktop speaker stands and speakers so that they are arranged in an equilateral triangle relative to you as the listener. Equidistant apart and toed inward at 30-45 degrees is better.



The tilt range is from 10° to 10°(adjustable angle 10°, 5°, 3°, 0°, 3°, 5°, 10°). According to your own height and speaker stand height, you can adjust the angle and height as above rules.

## SPECIFICATION

- \* Height adjustment range: 235mm to 280mm
- \* Top speaker plate size: 220mm x 180mm
- \* Clamp clipping desk thickness: 1mm-50mm
- \* Tilt angle:  $\pm 10$ degree
- \* Net weight: 1431g

Copyright © Ningbo Alctron Electronics Technology CO.,LTD. All rights reserved. Specifications and appearance subject to change without notice.

Ningbo Alctron Electronics Technology CO.,LTD.  
No.76 SanCheng Road, XiuFeng Industrial Area,GaoQiao Town, NingBo, China.  
Tel:+0086 574 87150672  
Fax:+86 574 87157176  
E-mail:info@alctron-audio.com  
www.alctron-audio.com

## MS182 桌面音箱支架

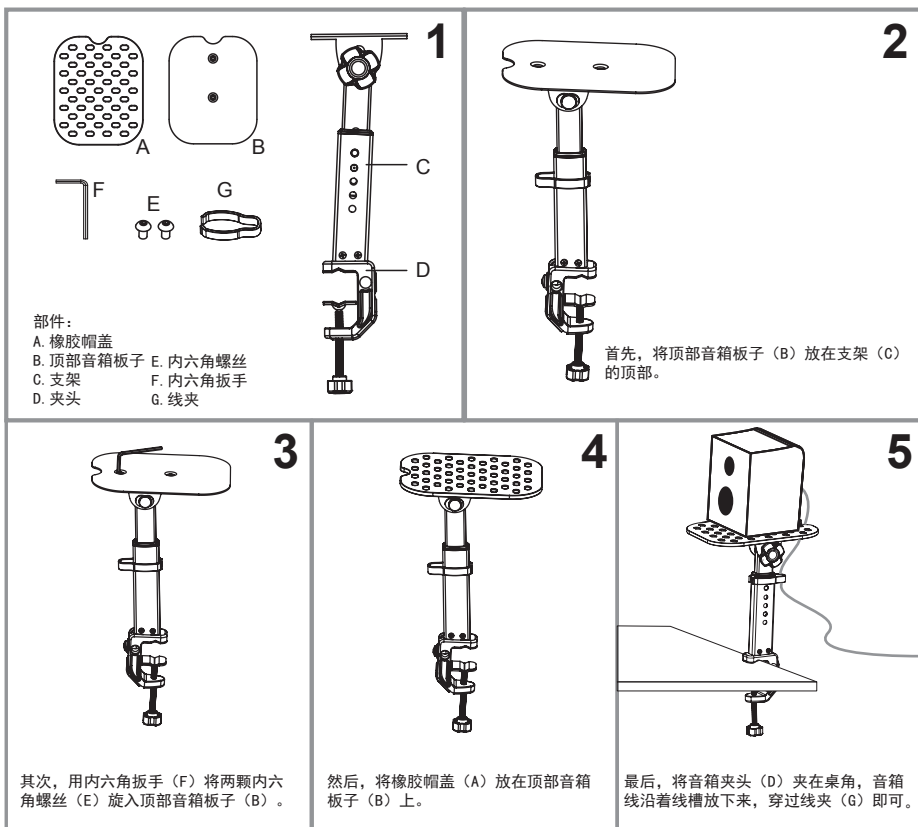
### 产品介绍

MS182是一款桌面音箱支架，其材质是由优质钢板，铝型材和橡胶制作而成。其高度调节和角度调节功能，使您的音箱位于理想的听音位置，通过这种方式能感受到优质的声音。在播放音乐的时候，顶部的橡胶帽盖能够减少振动。可夹音箱支架在一定程度上减少了占地空间，同时夹头造型更加精致，符合现代审美标准。

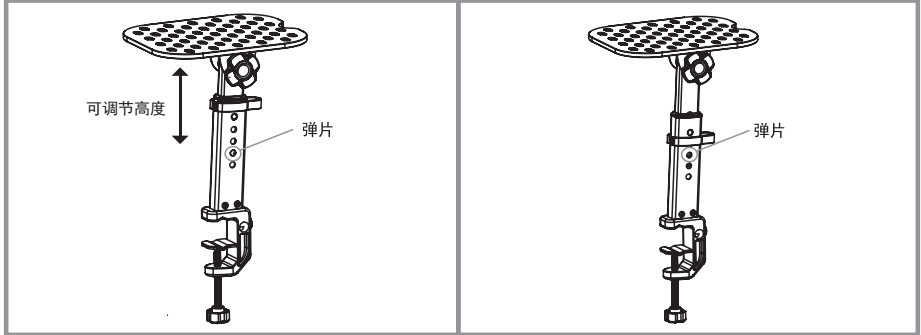
### 特征

- \* 桌面音箱支架；
- \* 高度调节和角度调节功能；
- \* 橡胶能够减少振动。

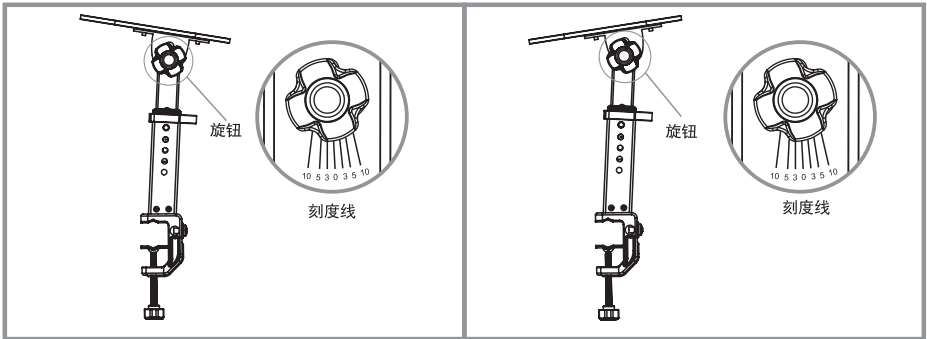
### 安装说明



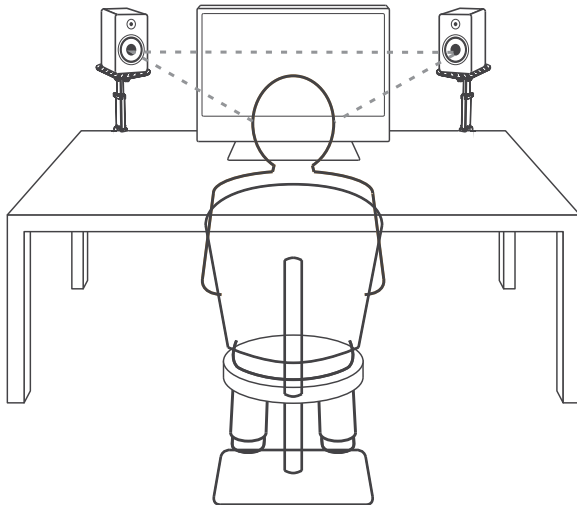
## 产品应用



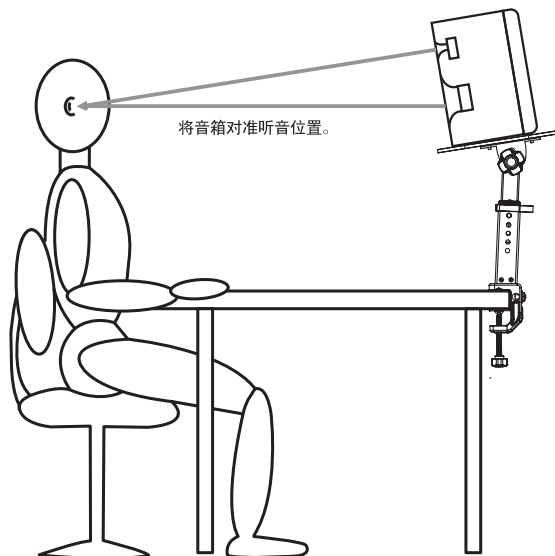
按压弹片您可以调节高度，可调节高度为四个档位，能够满足大多数的消费者。



将旋钮拧松您可以调节角度(可调角度 10°, 5°, 3°, 0°, 3°, 5°, 10°), ±10° 的倾斜角度, 可以使您将音箱位于您理想的角度。



将两个音箱与听音位置成一个正三角形，两个音箱的内射角度要30-45度。



$\pm 10^\circ$ 的倾斜角度(可调角度  $10^\circ, 5^\circ, 3^\circ, 0^\circ, 3^\circ, 5^\circ, 10^\circ$ )。根据您自己的身高和支架的高度，您可以按照以上的规则来调节音箱的角度和高度。

## 产品参数

- \* 高度调节范围： 235mm-280mm
- \* 顶部音箱板子尺寸：220mm x 180mm
- \* 可夹尺寸： 1mm-50mm
- \* 倾斜角度：  $\pm 10^\circ$
- \* 净重： 1431g

版权所有©宁波奥创电子科技有限公司,所有权保留。必要的技术数据和外观更改恕不另行通知。

宁波奥创电子科技有限公司

地址：浙江省宁波市海曙区秀丰工业区三成路76号

电话：0574-88011699

传真：0574-87157176

邮箱：sales@alctron-audio.com

网址：<http://www.alctron-audio.com> 全国统一服务热线：4000-160-112