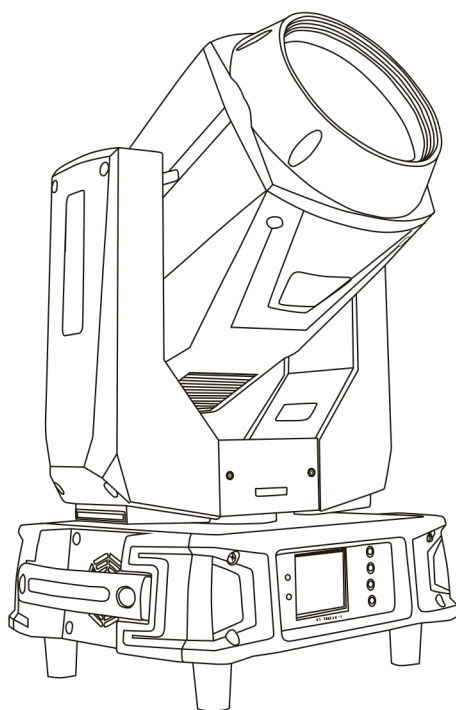


SHOWLIGHT MH350-BSW

USER MANUAL



Please read this manual carefully before operating the products.
Information under this manual subjects to update without prior advice.

SHOWLIGHT MH350-BSW-1

Content

1--Instruction -----	2
1.1--Application According to Purpose -----	2
1.2--Safety and Maintenance-----	2
1.3--Safety operation-----	2
2--Lamp-----	3
2.1--Replacing the lamp-----	3
3--Supply Voltages, Mains Cord and Connection to Mains-----	3
4--Housing -----	4
5--Operating Environment -----	5
6--Installation -----	5
7--Operation -----	6
7.1 Connect the DMX singal line-----	6
7.2 Menu description-----	8
7.3 Menu operation-----	9
7.4 The channels-----	10
8、 Changing the fuse-----	11
9、 Dobo color wheel-----	12
10、 Light installing -----	13
11、 Techincal parameter -----	14
12、 Maintenance -----	15
13、 Changing gobos -----	16
14、 The display structure -----	17
15、 Normal failure-----	17

5.The light is bright,but it's not controlled.

- A.Check the begin address and the controlled cables whether connect well.
- B.When the light switch on,the voltage is so hight ,leading to the chips and needle are burn-up.

6.The beam light is light on.

- A.The light is in bad contact due to the shake in transportation,please check the fuse of the PCB.

7.The lamp bulb is automatic off.

- A.The lamp bulb is reach the life time,it should be change new one.
- B.The fans is damage or the fan speed is normal,it should be change
- C.Check the output of the fan
- D.Temperature control is damage,it should be change

8.The color wheel is the wrong position or the controller is un-normal

- A.The motor cables is in bad contact
- B.The drive plate is breakdown,it need to fix again.
- C.The magnetic sensitive transistor and magnetic iron are dislocation or magnetic-sensing is damage,it should be change or adjustment.
- D.The motor is breakdown,it should be change

14. Normal failure

1. Lamp bulb burn out

- A. In the un-normal operation, the lamp bulb is not completely cool, it should be cool by the light fans about 10 minutes, and then cut the power supply, after 5 minutes, the inner sensor recovers in normal state, it can pulse on the power supply again.
- B. The temperature of light body is over high, it comes into overheat-protected state, so we should check fans and air inlet whether have some odds and ends to block up.
- C. Check the lamp bulb whether have reached the life time, it should be change new one.
- D. Check the lamp bulb and trigger circuit whether is Short Circuit, loose or in bad contact.
- E. The capacitor is old or in bad contact, you can as the original circle to change.
- F. Inductive ballast is damage.
- G. The voltage is not enough.

2. The beam is brown out

- A. The lamp bulb maybe reach the life time, you should be change new one.
- B. Check the optics whether is clean
- C. The lamp bulb have the dust, it should be clean the lamp bulb body and the spare apart.

3. The motor is un-working

- A. Check the power supply is the suitable voltage, and the fuse whether is burn up.
- B. Check the motor cables or connected cables whether is in bad contact or cut-off.
- C. Check the screw of the flange whether is slip or have another things to get stuck.
- D. Check the socket and IC in the PCB whether is loose, in bad contact or burn-up state.
- E. Check the transformer whether is output is normal.
- F. The motor or PCB is burn-up.

4. It's not controlled

- A. The signal cables connect is wrong, loose, incomplete weld or Circuit broken.
- B. The address setting is wrong.
- C. The IC of PCB is breakdown by high tension.
- D. The cables is too long, so the signal is so week, it should be connect the signal enlarger machine with the XLR"2", "3" of the last beam light and one 1W/120Ω terminal resistance.
- E. The signal interference or the voltage disturb.
- F. The control machine is damage or the signal is not compatible.

Congratulations on purchasing this light
Thank you for extending your trust in our technology!

Open-package Inspection

when you receive the product, please check the product whether is damaged, when it's in transportation, and the master case including following apart:

1. Beam light : 1pc
2. Hang fastener: 2sets
3. Safety rope: 1pc
4. Signal cable: 1pc
5. User's manual: 1pc

For reasons of safety and approval (CE) the personal reconstruction and/or modification of this product is prohibited. Please observe that damage caused by modifications performed manually to this device is not covered by the warranty.

This product leaves our works in a perfect condition. Please observe all notes in these operating instructions to warrant this condition and the safe operation of the product!

Any damage caused as a result of the non-compliance with these operating instructions leads to the expiration of any warranty claim. The manufacturer does not accept liability for any damage to property or for personal injury resulting from the improper handling of the product, or non-observance of the operating instructions.

Store these operating instructions in a safe place for later reference and pass them to any new holder when selling or lending or leaving this device in the hands of any other party.

1. Instruction

1.1. Application According to Purpose

This product is a lighting effect which creates special light effects with one lamp. To generate these effects, the product must be connected to mains and a DMX-512 compatible controller.

This product is designed for 230V, 50Hz A/C operation and exclusively for indoor use.

If used for any purpose other than described in these operating instructions, the device may suffer damage and the warranty expires. Also, any other use is linked with risks such as short circuits, fire, electrical shock, etc.

The manufacturer's serial number must never be removed as otherwise the warranty expires.

1.2. Safety and Maintenance

- Indoor use only
- Make sure the equipment load-bearing structures can withstand the weight of more than 10 times when above ground installation
- Disconnect with power supply before replacing lamp, fuse or other accessories
- Only operation under electrical standards with leakage protection device A/C
- Cool down for 15 mins before replacing lamps. Please do not use other company's accessories.
- Contact your specialized dealer for any technical problem

1.3. Safety operation

- Do not operate without outer cover or lenses
- Do not look directly to the light
- Replace immediately when lamp broken
- Do not project directly to items near 0.5M
- Do not operate when temperature up to 40° C

2. Lamp



During operation, the lamps will reach temperatures of up to 600° C. Touching the lamps may cause serious burns! Objects coming into contact with the lamps during and shortly after operation may catch fire!

2.1 Replacing the lamp

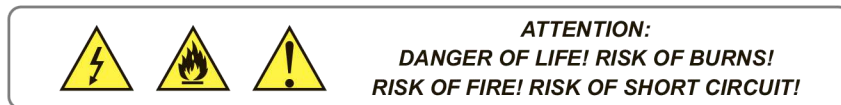
- Disconnect the product from mains prior to installing or before changing a lamp! Allow a lamp to cool for approx. 15 minutes before exchanging it!
- After make sure projector cool down, take off the four screws in the head cover, then take off the fans from the projector.
- Take the new lamp out of its package and insert in the fitting.

WARNING: Do not touch the lamp's envelope with bare hands. Should this happen, clean the bulb with a cloth soaked in alcohol and dry it with a clean, dry cloth.

Never touch a lamp with bare hands! If damaged or deformed, a lamp must be exchanged!

- When exchanging the lamp be sure to use suitable lamps only. Lamps with greater performance generate excessive heat for the product; risk of fire! Damage resulting from the use of an unsuitable lamp is exempt from warranty!
- Never connect the lighting effect to the mains prior with opened housing.
- After changing lamps, well connected the cables, fans, otherwise will damage the parts inside.

3. Supply Voltages, Mains Cord and Connection to Mains



The handling of supply voltage, mains cords and connections to mains calls for particular care considering the risk from a life-threatening electric shock, the risk of fire and the risk of short circuits! Please observe the following notes in particular:

Products operating on supply voltage should be kept out of the reach of children. Therefore ensure the permanent supervision if children are in the immediate vicinity of the product!

For commercial facilities the regulations on the prevention of accidents of the respective trade association must be observed. The operation of this equipment at schools, training facilities, and hobby or self-help workshops must be supervised responsibly by trained personnel.

Check the product regularly for any damage to the mains cord! Should you discover any damage to the mains cord, do not operate or disconnect this product! Secure the product against accidental operation and contact your specialized dealer!

11、 Maintenance:

1、 Before you clean and maintain the light,you must be cut the power supply

In normal,the max temperature of the case of beam light is 90°c(194°F),when you cut the power supply,do not demount any spare apart in 10 minutes.

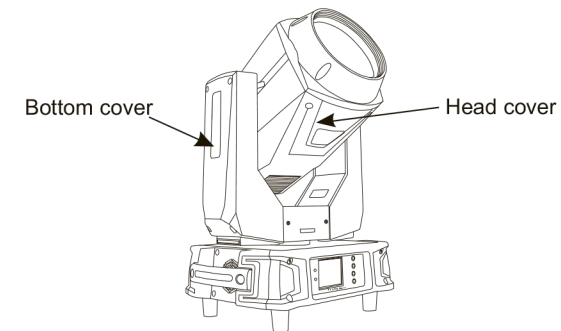
If the lamp bulb need to change,to avoid burn yourself ,must be waiting 20 minutes. the lens must be fixed well,if it is damaged,must be change with original apart.

2、 Open and close the cover

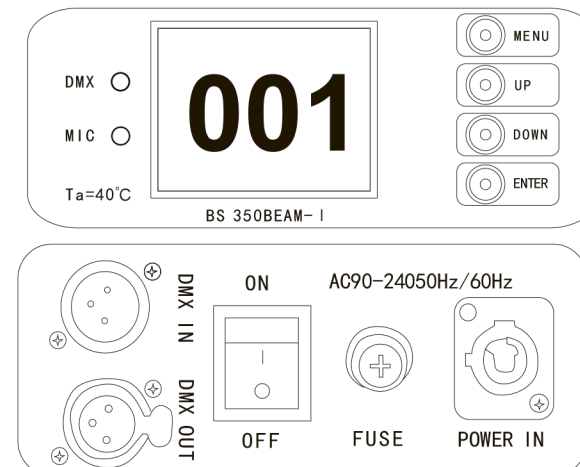
Loosen the 8 screws in the top cover and bottom cover,and then take down it.

Changing the color glass:

Open the light cover,finding the changing color glass,and then using the knife to take down it,and take the new one to the right position,using glass cement to stick well.



12、 PANEL DESCRIPTION:



10、 Technical parameter:

350W Beam moving head light is the high quality professional & high brightness moving head light, it is with 13 colors and 13 gobos, and all the gobos install on gobo wheels, which with the small size and light weight, it is convenient for transportation; it is suitable for live performance, KTV, bar, stage decoration and music concerts and so on.

- Voltage: 110V~240V/50-60Hz
- Lamp: YODN 350w 17R bulb
- Channel : 16 CHs
- Tilt: 270° automatically accurate positioning
- Color wheel: 13 colors+white
- Gobo wheel: 13 gobos+white
- Prism: 3+3 prism, 2 pcs mirror prism, 1 pc 5-facet prism, 1 pc 16-facet prism, 1 pc 6+12-facet prism.
- Strobe: the strobe frequency is up to 13/s, and can choose random strobe and pulse strobe.
- Dimmer : 0-100% linear adjustment
- Power supply: more stabilization, more portable, and automatic short-circuit protection.
- When controller turn on the lamp and reset with the delayed function.
- Net Weight: 19.0kg
- Gross weight: 22.0kg

Always separate the product from mains by holding the mains plug by the handling surface. Never disconnect by holding the line cord! Be sure to connect the product exclusively to 230 V, 50 Hz A/C!

Always ensure during installation, operation, transport and when storing the product that the mains cord is not exposed to possible mechanical damage, or damage caused by humidity, fluids, heat or cold!

The product's cable entry must not be exposed to stress from pull! Create the mains connection once the product has been installed only. Always connect the mains plug last!

The product must only be connected to a proper outlet of the public supply grid. Connect the mains cord to suitable outlets only! Use extension cords in compliance with specifications only! Do not allow the mains cord to come into contact with other cords!

Ensure during installation, operation, transport and storage that none of the cables are freely exposed! Never touch the mains cord, mains plug and outlets with wet or damp hands!

When not using the product, and prior to cleaning always disconnect the product from mains! To do so, hold the mains plug by the handling surface and never pull the mains cord!

Never connect the device to dimmer packs!

4. Housing



Always ensure during installation, operation, transport and when storing the product that no shocks or other forces impact the housing!

The housing must not touch onto any other devices or objects during operation!

Easily flammable materials, e.g. decoration material and other surfaces and objects, must maintain a minimum distance of 3m to the housing! Walls must maintain a minimum distance of 50cm to the housing! The device must be installed on a fireproof surface only (no carpet)! Always ensure a proper circulation of air.

Do not touch the housing during operation-it will heat up. The housing is safe to touch approx. 5 minutes following the end of operation!

The device must never be carried via the projector arms. Use the carrying handles only!

Fluids must not enter the housing as this could reduce the protective insulation and may trigger short circuits which may lead to fatal electric shocks! If fluids have entered, disconnect the mains plug immediately and secure the product against unintentional operation and contact your specialized dealer! Damage caused as a result of fluids entering the housing is exempt from warranty.

No metal parts or other items must enter the housing as this may reduce the protective insulation or trigger short circuits which may lead to fatal electric shocks! If metal parts or other items have entered, disconnect the mains plug immediately, secure the product against unintentional operation and contact your specialized dealer! Damage caused by metal parts or other items in the housing is exempt from warranty.

5. Operating Environment



ATTENTION:
DANGER OF LIFE! RISK OF BURNS!
RISK OF FIRE! RISK OF SHORT CIRCUIT!

The product must be operated and stored in a dry environment only! Splash water, rain, humidity, fog may reduce the protective insulation which may lead to fatal electric shocks! The limit value for relative humidity is 50% at 45° C. A minimum distance of 1.5m to a fog machine must be observed; fog saturation in the room must not reduce the visibility to below 10m.

The product must be operated at a temperature range of between -5 ° C and 45 ° C only. Protect the product against direct exposure to sunlight or other heat, such as from radiators! If the product is taken from a cold environment into a warm environment it must only be taken into operation once it has reached ambient temperature, since the condensation created by the difference in temperature may destroy the device!

Protect the product against dust! Dust may reduce the protective insulation, which may cause fatal electric shocks!

The product must be operated at altitudes ranging between 20m below and 3000m above sea level only!

The product must not be operated during thunder storms; risk of destruction from surge voltages!

The product must be operated at a minimum distance of 12 m to lit objects only!

6. Installation



ATTENTION:
DANGER OF LIFE!

This product can be operated suspended or as a stand-alone system.

Should your lighting effect show any signs of damage, do not install the device! In this case, have your lighting effect repaired by your specialized dealer. The manufacturer does not accept responsibility or liability for damage to property or personal injury resulting from an improper installation!

As a stand-alone system the device must be installed vertically on an absolute planar, firm, fireproof, shock- and vibration-free surface. The installation of this lighting effect must be carried out by trained and professional staff! The installation of this lighting must only be carried out with the appropriate materials!

8. Changing the fuse

Disconnect the product from the mains prior before changing a fuse.

Only replace the fuse by a fuse of same type and rating! An incorrect fuse could damage or destruct the lighting effect.

Replace a fuse by levering the fuse holder cover with an appropriate screwdriver. Remove the old fuse and place the fuse inside the holder. Replace the fuse holder and insert it.

Never connect the lighting effect to the mains prior with opened housing.

9. Install the light:

The light stand in the ground to slung-load and installation

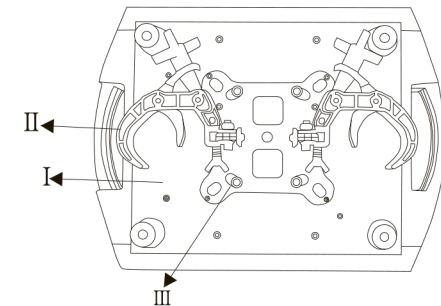


ATTENTION:
DANGER OF LIFE! RISK OF BURNS!
RISK OF FIRE! RISK OF SHORT CIRCUIT!

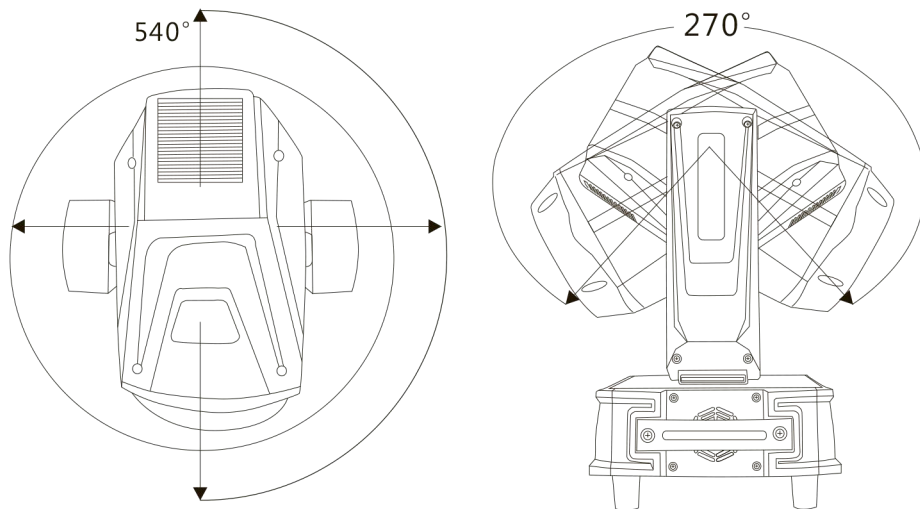
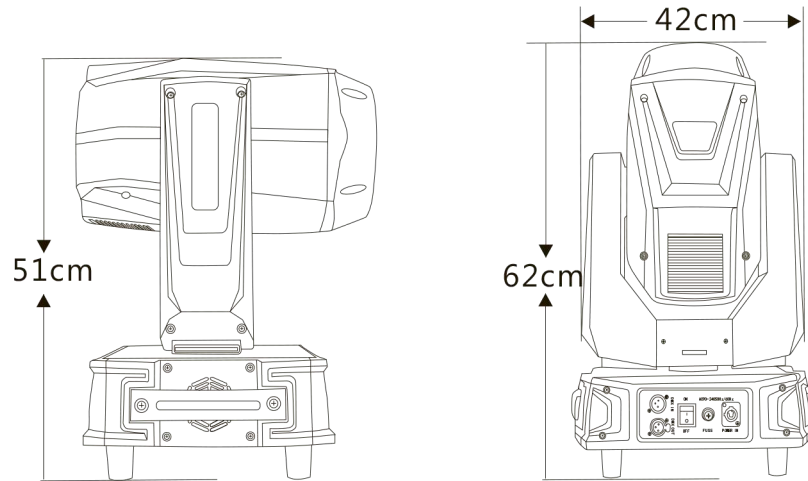
Install the bottom as following:

- I、 Light hook(option)
- II、 Screw hole of slung-load
- III、 The safe rope(option)
- V、 The cover

The light weight, and the rope extending is no more than 20cm



Lamp size



The suspended installation of this lighting effect necessitates a suitable suspension system! The lighting effect must never be fixed swinging freely in the room. No individuals should linger underneath the lighting effect during suspended installation!

It is a must to install this device with a second independent fixture. Such second fixture must guarantee in the event of failure of the main fixture that no assembly parts will fall down. Use the fixture on the undersurface only.

The light effect unit must be attached via two certified hooks and omega bracket to a tie-bar system. Use the screw threads on the undersurface only.

It must be ensured that an expert inspects the mechanical and safety-relevant installation prior to the initial operation and following major modifications, prior to the renewed operation. It must be ensured that an expert inspects the mechanical and safety-relevant installation at least once a year. It must be ensured that an expert inspects the mechanical installation and the installation of relevance to safety within the framework of an acceptance test at least every four years.

The installation fixture must be as such that it can withstand for a period of 60 minutes 10 times the load capacity without harmful deformation.

It is prohibited for any individual to unnecessarily stay or pass beneath the installation during any type of assembly work.

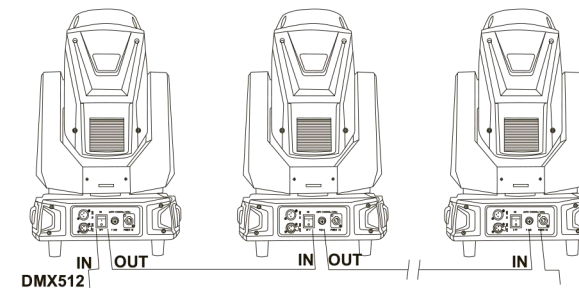
The light effect unit must be secured by a safety arrester cable if fly-mounted. The cable must withstand 12 times the weight of the light effect unit. Use arrester cables equipped with quick closing links. The dropping distance must not exceed 20 cm. Defect arrester cables or arrester cables that have already been exposed to stress must not be used.

7. Operation



7.1 Connect the DMX signal line

Link all DMX devices with a DMX-512 controller by using a standard, 3-pin DMX cable or 5-pin DMX cables. Connect the output of the first device with the input of the second device and the output of the second device with the input of the third device and so on.



Connect the mains plug to an outlet.

Operating the product for the first time may generate smoke and odour; this is not a defect. Avoid dis/connecting the product repeatedly and quickly from/with mains! Always wait 15 minutes prior to the next dis/connection!

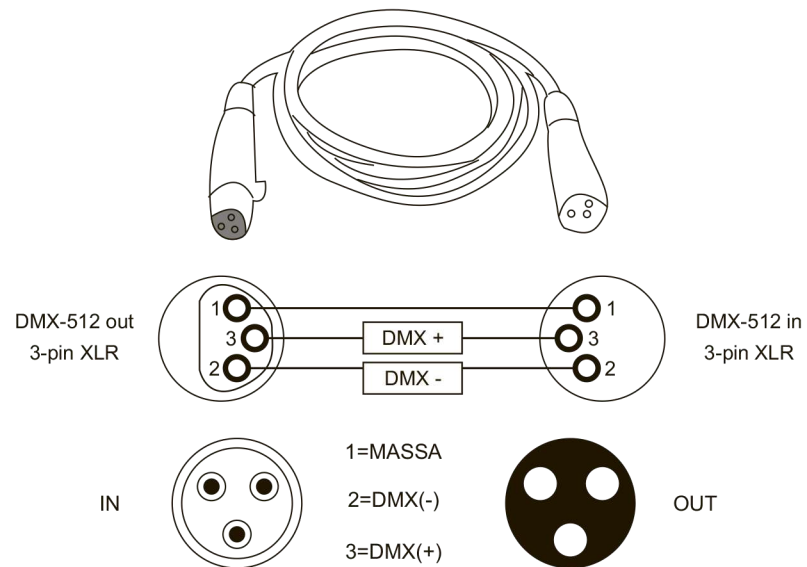
Attention

- ◆ Keep the voltage of the power supply with the master light
- ◆ Do not connect with other electric cable and the DMX512 signal cable
- ◆ To ensure the earthing conductor of the switch well before connecting with AC110v~220v
- ◆ The earthing conductor is the yellow and green.
- ◆ When you move or install, to avoid the metal to knock the light

ATTENTION:
DANGER OF LIFE! RISK OF BURNS!
RISK OF FIRE! RISK OF SHORT CIRCUIT!

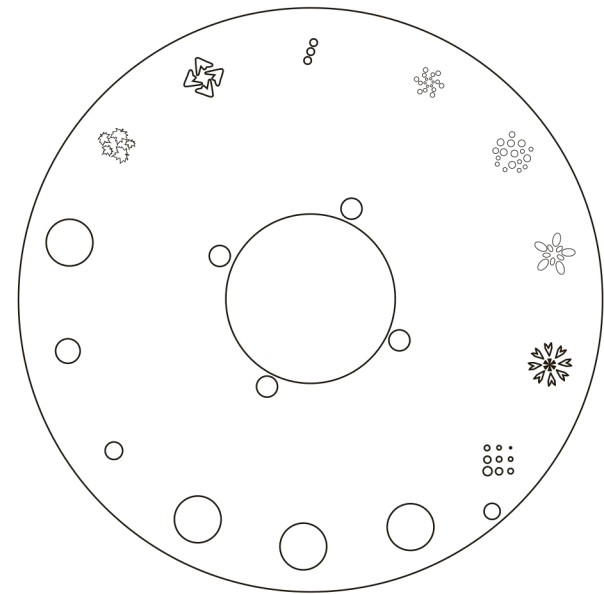
DMX Signal Connection

3-Pin XLR to 5-Pin XLR Conversion		
Conductor	3-Pin XLR Female (OUT)	5-Pin XLR Male (IN)
Ground/Shield	Pin 1	Pin 1
Data Compliment (-signal)	Pin 2	Pin 2
Data True (+signal)	Pin 3	Pin 3
Not Used		Pin 4-Do Not Used
Not Used		Pin 5-Do Not Used

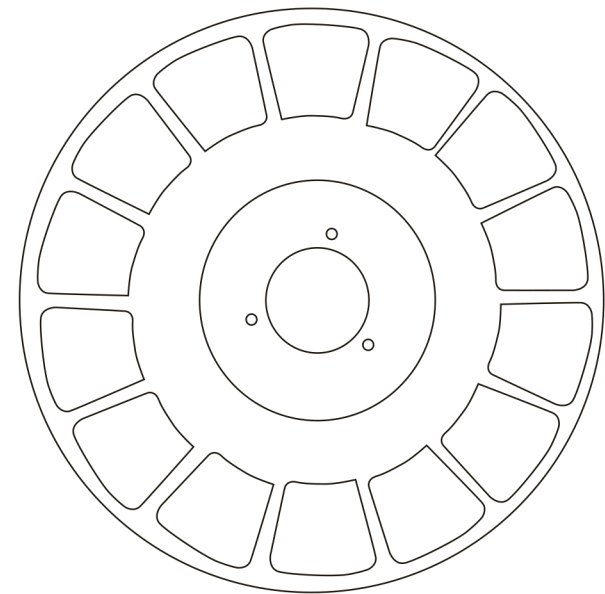


07

Dobo wheel

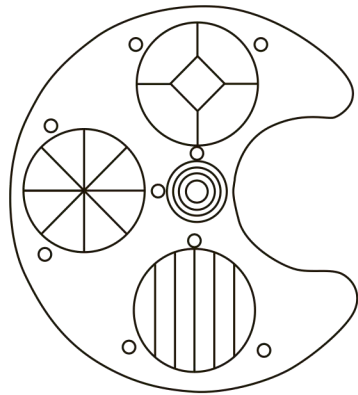


Color wheel



12

Prism wheel effect



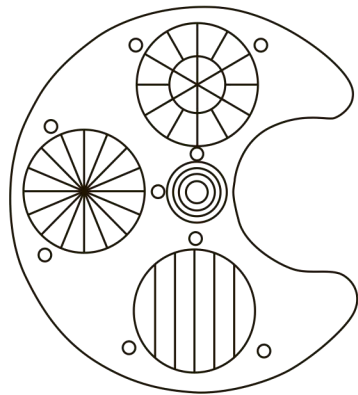
6-facet mirror



8-facet prism



5-facet prism



6-facet mirror



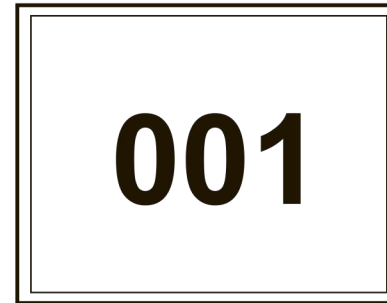
16-facet prism



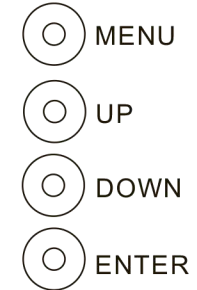
6+12facet prism

7.2 Menu description

it is the touch \$push button display, the display is simple and convenient.



BS-350 BEAM I



Touch screen description:

please according to the display page and touch page to finish the operation.

push-button description:

the touch screen and push-button operation, they can finish the page operation independent;MENU (enter into), down (minus), up (add), enter (confirm), choosing the menu, it will have the different colors;using the key "DOWN", "UP", it can change the value, and then pressing "ENTER" to save the values.

7.3 Menu operation:

No	Channel	DMX value	Function
CH1	Pan	0-255	0-540°
CH2	Tilt	0-255	0-270°
CH3	Pan fine	0-255	0-2°
CH4	Tilt fine	0-255	0-1°
CH5	Pan/Tilt Speed	0-255	From fast to slow
CH6	Inlarge Frost	0-127	NO frost
		128-191	Inlarge
		192-255	frost
Ch7	Strobe	0-3	Close
		4-103	Strobe from slow to fast
		104-107	Open
		108-207	Strobe from slow to fast
		208-212	Open
		213-251	Strobe from slow to fast
	252-255	Open	
Ch8	Dimming	0-255	0-100%dimmer
Ch9	Focus	0-255	From far to close

Ch10	Color	0-4	White
		5-9	White+Color1
		10-14	Color1
		15-19	Color1+Color2
		20-24	Color2
		25-29	Color2+Color3
		30-34	Color3
		35-39	Color3+Color4
		40-44	Color4
		45-49	Color4+Color5
		50-54	Color5
		55-59	Color5+Color6
		60-64	Color6
		65-69	Color6+Color7
		70-74	Color7
		75-79	Color7+Color8
		80-84	Color8
		85-89	Color8+Color9
		90-94	Color9
		95-99	Color9+Color10
100-104	Color10		
105-109	Color10+Color11		
110-114	Color11		
115-119	Color11+Color12		
120-124	Color12		
125-129	Color12+Color13		
130-134	Color13		
135-139	Color13+Color14		
140-199	Forward running from fast to slow		
200-255	Reversion running from slow to fast		
Ch11	Gobo	0-4	White
		5-9	Gobo1
		10-14	Gobo2
		15-19	Gobo3
		20-24	Gobo4
		25-29	Gobo5
		30-34	Gobo6
		35-39	Gobo7
		40-44	Gobo8
		45-49	Gobo9
		50-54	Gobo10
		55-59	Gobo11
		60-64	Gobo12
		65-69	Gobo13
		70-125	Forward running from fast to slow
126-130	Stop		

		131-190	Reverse running from slow to fast
		191-195	Shake gobe1 from slow to fast
		196-200	Shake gobe2 from slow to fast
		201-205	Shake gobe3 from slow to fast
		206-210	Shake gobe4 from slow to fast
		211-215	Shake gobe5 from slow to fast
		216-220	Shake gobe6 from slow to fast
		221-225	Shake gobe7 from slow to fast
		226-230	Shake gobe8 from slow to fast
		231-235	Shake gobe9 from slow to fast
		236-240	Shake gobe10 from slow to fast
		241-245	Shake gobe11 from slow to fast
		246-250	Shake gobe12 from slow to fast
251-255	Shake gobe13 from slow to fast		
Ch12	Prism1	0-63	Moving prism
		64-127	Insert prismA
		128-191	Insert prismB
		192-255	Insert prismC
Ch13	Prism rotation	0-127	0-400°
		128-190	Forward running from fast to slow
		191-192	Stop
Ch14	Prism2	193-255	Reversion running from slow to fast
		0-63	Prism moving
		64-126	Insert prismD
Ch15	Prism rotation2	127-128	Insert prismE
		192-255	Insert prismF
		0-127	0-400°
		128-190	Forward running from fast to slow
Ch16	Rainbow	191-192	Stop
		193-255	Reversion running from slow to fast
		0-127	NO frost
Ch17	Reset	128-255	Rambow
		26-100	After 3seconds to turn off the lamp
		101-250	After 3seconds to turn on the lamp
		251-255	After 3 seconds to reset

Attention:
before cutting the power of the light, it should be turned off the lamp 2 minutes later by the controller.