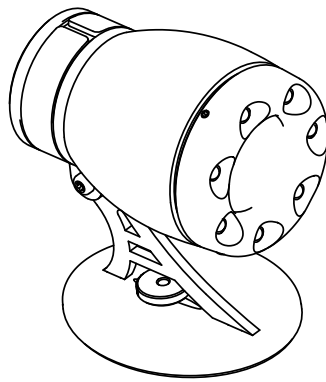
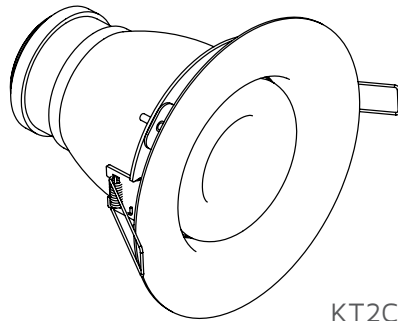


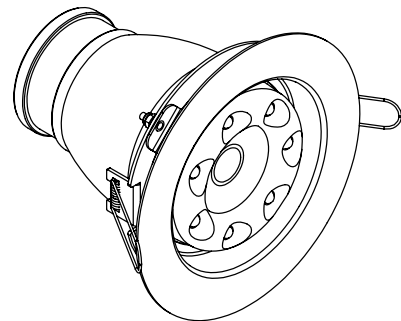
KT2



KTL2



KT2C



KTL2C

KT2 - KT2C
KT2L - KT2LC

USER GUIDE
English

TABLE of CONTENTS

SYMBOLS	5
1. INTRODUCTION	6
2. KEY FEATURES	6
3. APPLICATIONS	6
4. OPTIONAL FEATURE	6
5. SAFETY INFORMATION	7
6. UNPACKING	7
7. INCLUDED ACCESSORIES	8
8. PHYSICAL	8
9. REAR PANEL AND WIRING	9
10. INSTALLATION	10
11. ACCESSORIES	11
12. SERVICE	12
13. SPECIFICATIONS	13

SYMBOLS



K-array declares that this device is in compliance with applicable CE standards and regulations. Before putting the device into operation, please observe the respective country-specific regulations!



WEEE
Please dispose of this product at the end of its operational lifetime by bringing it to your local collection point or recycling center for such equipment.



This symbol alerts the user to the presence of recommendations about the product's use and maintenance.



Warning! Dangerous voltages: RISK of electric shock.
Terminals marked with this symbol are HAZARDOUS LIVE and the external wiring connected to these terminals requires installation by a qualified professional or the use of ready-made leads or cords.



This symbol alerts the user to the presence of recommendations about product's use and maintenance.



This device complies with Restriction of Hazardous Substances Directive.

1. INTRODUCTION

The Tornado series is a miniature sound source designed for high-quality distributed systems. Housed in a compact aluminium enclosure, the Tornado is suitable for space sensitive and architectural design installations. The Tornados are a turn-key loudspeaker solution; designed as passive speakers, that can be easily converted into self-powered devices by inserting the KA1-T2, 12V/24V amplifier module. Tornados have a proprietary 2" high efficiency drive unit with a neodymium magnet structure and a suspension engineered for maximum linear excursion and minimum residual transducer interference. The cone transducer delivers an impressive maximum peak SPL of 107dB, and has a wide operating frequency range from 150 Hz to 18 kHz with very low distortion. With its ability to effortlessly reproduce both speech and music, it makes an excellent choice for fixed applications such as theatre, museum displays, restaurants, portable systems for corporate AV presentations, department stores and in hidden locations such as chancel steps in houses of worship. The KT2 and KT2W come with a wall bracket for fixed installations or surface applications. The KT2C and KT2CW come with ceiling brackets for ceiling mounts. All Tornado components are designed by the K-array R&D department and custom made under the K-array quality control system.

2. KEY FEATURES

- High performance-to-size ratio
- Single 2" long excursion full range driver
- Wide-range frequency response
- Integrated 4-pin Phoenix connector
- Double voice-coil driver for variable impedance 8-32Ω
- Compact aluminium ultra strong chassis
- Weather resistant IP54

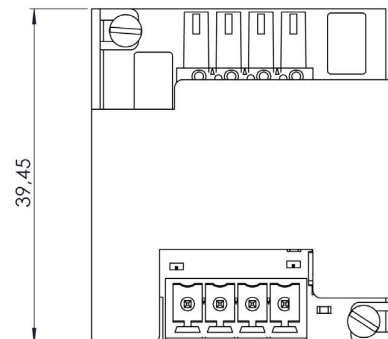
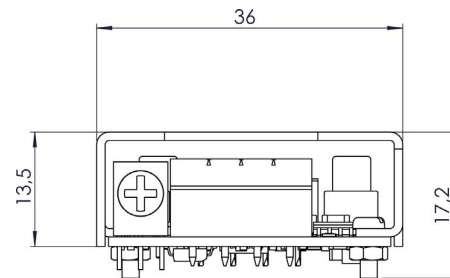
4. OPTIONAL FEATURE

- Self powered device using the KA1-T2H amplifier module (see accessories)



3. APPLICATIONS

- Audio for museum and exhibit displays
- Space-sensitive fills and distributed systems for speech and music
- Suitable for theatres and broadcast
- Installed audio-visual systems



5. SAFETY INFORMATION

Read these instructions - Keep these instructions - Heed all warnings



WARNING



- Install the speaker only in a location that can structurally support the weight of the unit. Doing otherwise may result in the unit falling down and causing personal injury and property damage.
- Professional loudspeakers are capable of producing extremely high sound levels and should be used with care. Hearing loss is cumulative and can result from levels above 90dB if people are exposed for an extended period.
- Do not operate the speaker for an extended period of time with the sound distorting. This is an indication of malfunction, which in turn can cause heat to generate and result in a fire.
- Never stand close to loudspeakers driven at high level.
- Suspending the system should only be done by qualified personnel following safe rigging practices. Secure fixings to the building structure are vital. If in any doubt, seek help from architects, structural engineers or other specialists.
- No naked flame sources such as lighted candles should be placed near the device.
- Do not attempt to disassemble the unit. The unit contains no user serviceable parts. Repairs should be performed only by factory trained service personnel.



CAUTION



- **Choking Hazards.** This device contains small parts, which may present a choking hazard to small children. Keep the device and its accessories away from small children.
- It is important that loudspeaker systems are used in a safe manner.
- **Do not make repairs yourself.** Do not open the device, it contains potentially hazardous voltage. Never attempt to disassemble, repair or modify the system yourself. Disassembling the unit may cause damage that is not covered under the warranty. The device contains no user-serviceable parts. Repairs should only be performed by factory trained service personnel.

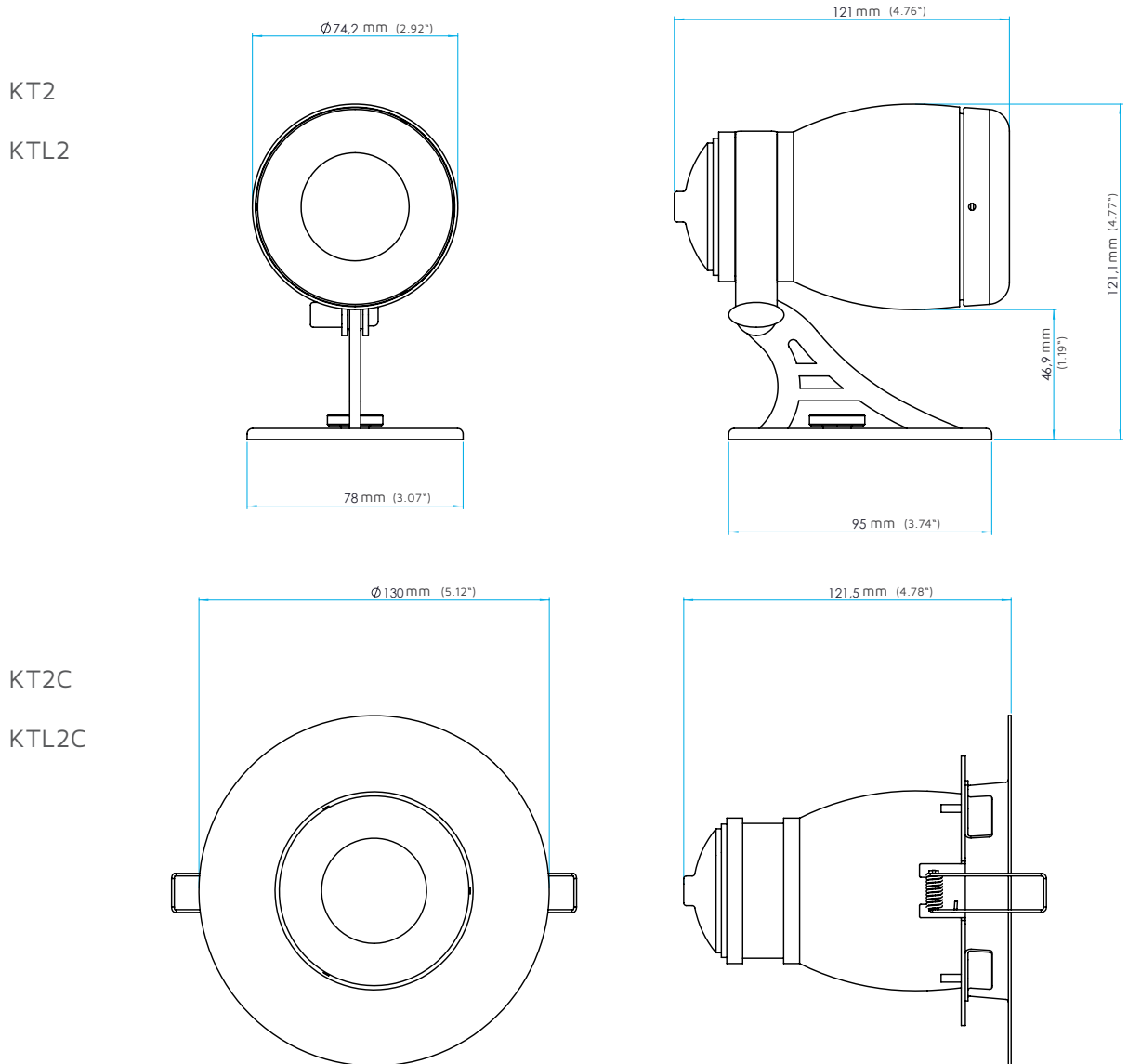
6. UNPACKING

Each K-array amplifier is built to the highest standard and thoroughly inspected before leaving the factory. Upon arrival, carefully inspect the shipping carton, then examine and test your new amplifier. If you find any damage, immediately notify the shipping company. Only the consignee may institute a claim procedure regarding the system's electronic equipment.

7. INCLUDED ACCESSORIES

KT2	KT2C	KTL2	KTL2C
<ul style="list-style-type: none"> • 1 x M5 turned steel thumb nut • 1 x 4-pin Phoenix connector • 1 x Double threaded screw • 1 x Nylon anchor 6x30mm • 1 x Jumper cable 	<ul style="list-style-type: none"> • 1 x 4-pin Phoenix connector • 1 x Jumper cable 	<ul style="list-style-type: none"> • 1 x M5 turned steel thumb nut • 2 x 4-pin Phoenix connector • 1 x Double threaded screw • 1 x Nylon anchor 6x30mm • 1 x Jumper cable 	<ul style="list-style-type: none"> • 2 x 4-pin Phoenix connector • 1 x Jumper cable

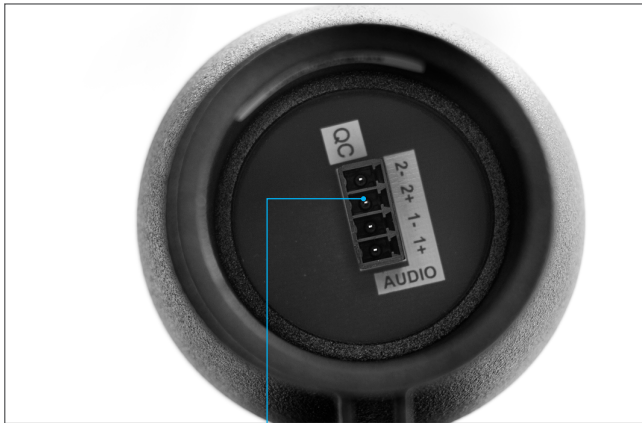
8. PHYSICAL



Weight Table	KT2	KT2C	KTL2	KTL2C
Kg	0.56	0.67	0.54	0.65
lb	1.23	1.48	1.19	1.43

9. REAR PANEL AND WIRING

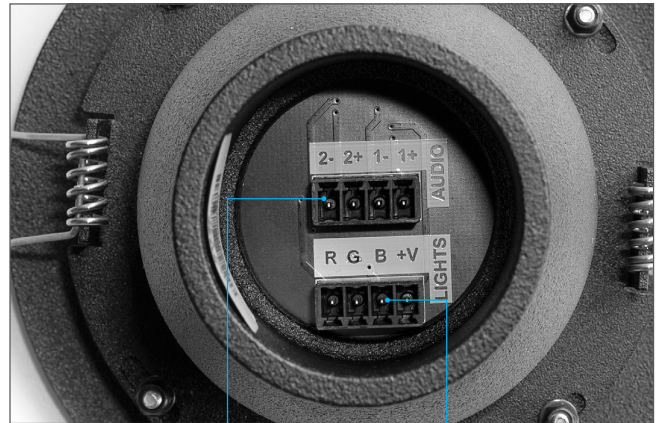
KT2 - KT2C



1

1. 4-pin audio input connector

KTL2 - KTL2C



1

2

2. 4-pin light controller connector

32Ω Wiring

2- to (-)pin of the Amp
 2+ bridged to 1(-)
 1- bridged to 2(+)
 1+ to (+)pin of the Amp

the 32Ω configuration can be used with a KA24, KA84, KA7, KA7-7, KA10 or a KA10-10 amplifier

Controller Wiring

R to negative DC power for Red LED
 G to negative DC power for Green LED
 B to negative DC power for Blue LED
 +V Common positive DC power (24V) for RGB LEDs

8Ω Wiring

2- / 1- parallel to (-)pin of the Amp
 2+ / 1+ parallel to (+)pin of the Amp

the 8Ω configuration must be used only with a KA1-1 amplifier



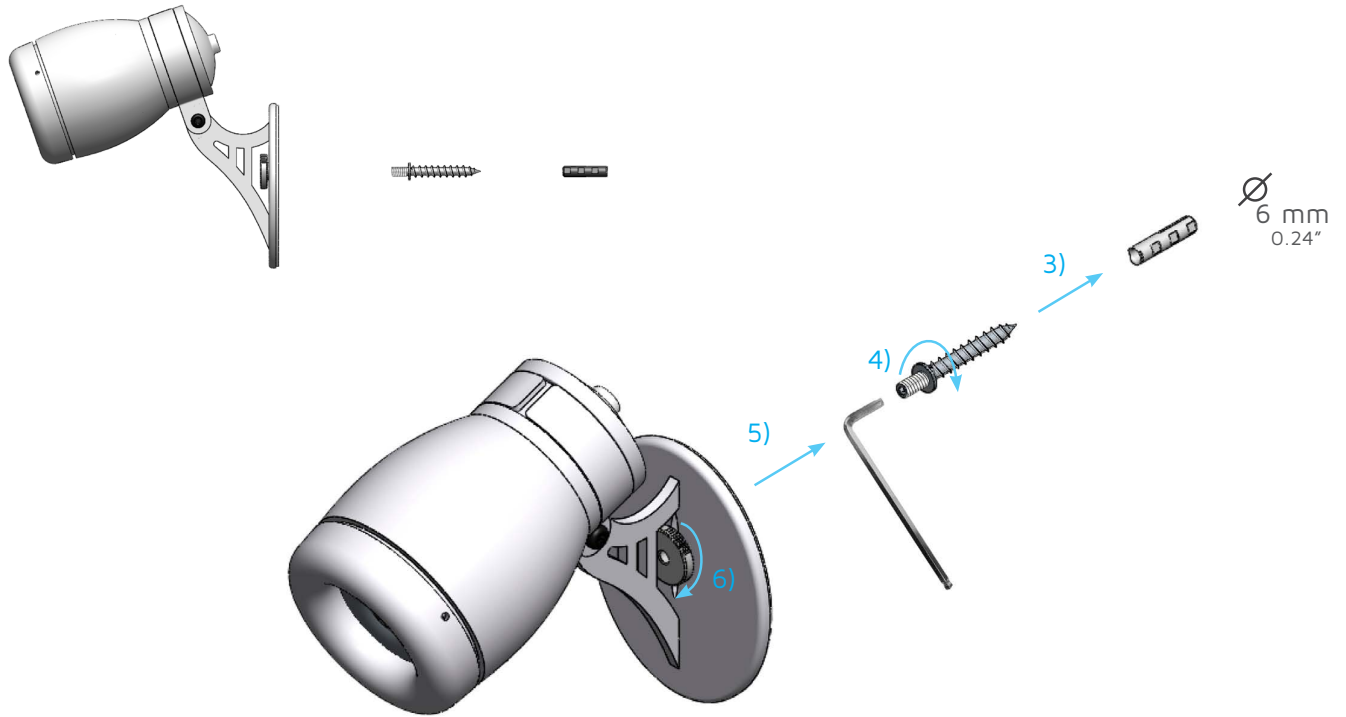
Warning

Take care, respect the polarity and the maximum DC voltage. An inverted polarity or a different voltage could damage the device or part of its component parts.

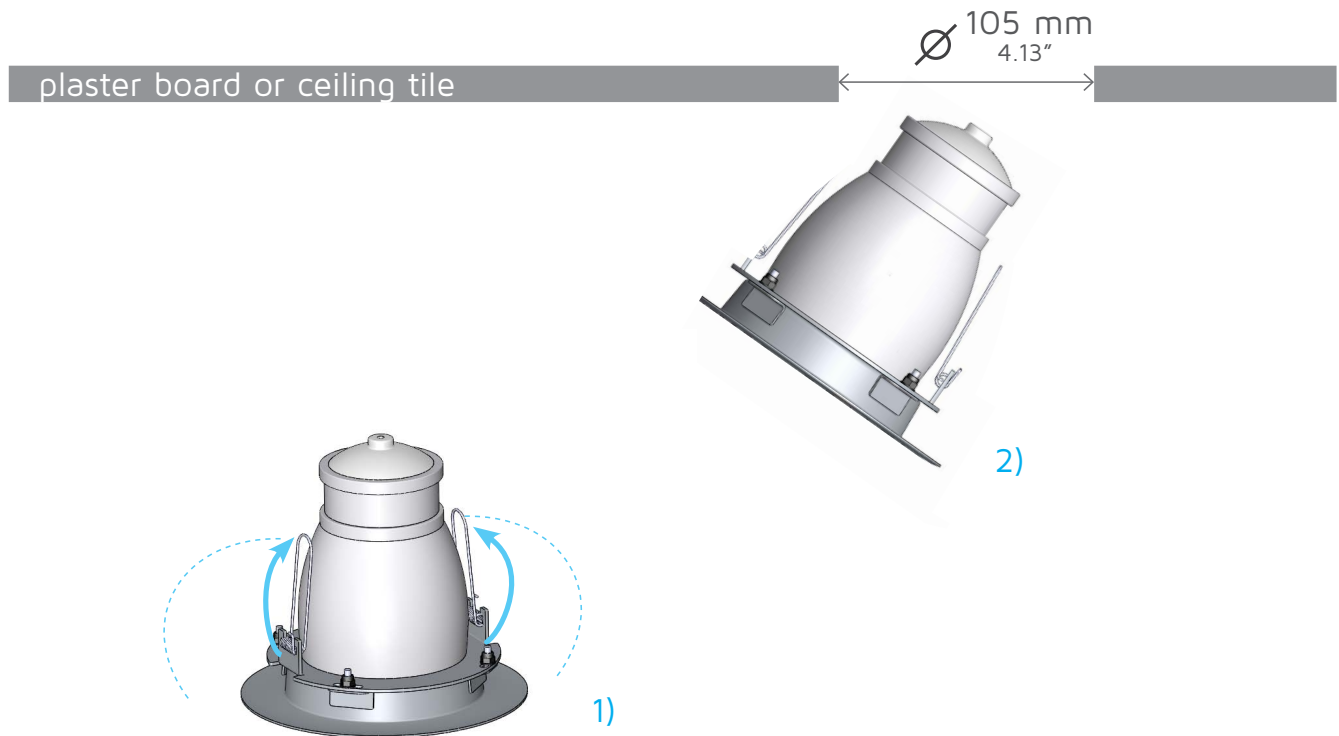
Please note that (-) and (+) pins of the amplifier must be connected to the same output channel.

10. INSTALLATION

KT2 - KTL2



KT2C - KTL2C



11. ACCESSORIES

The new Tornados are compatible with a variety of accessories which can be ordered directly from K-array sales@k-array.com.

DID YOU KNOW THAT



Designed as passive speaker, the new Tornados can be easily converted into self-powered devices by inserting the KA1-T2H amplifier module.

	KA1-T2H	Amplifier module for Tornados (32 W)
	K-AL15	15 W power supply for 1 KA1-T2H (in background music or speech applications)
	K-AL66	66 W power supply for up to 2 KA1-T2H (full power) or up to 4 KA1-T2H (in background music or speech applications)
	K-AL75	75 W DIN rail power supply for up to 3 KA1-T2H (full power) or up to 6 KA1-T2H (in background music or speech applications)
	K-AL120	120 W DIN rail power supply for up to 5 KA1-T2H (full power) or up to 10 KA1-T2H (in background music or speech applications) and for K-RGBDMX / KRGBREM RGB LED controller for KTL2 and KT
	K-AL240	240 W DIN rail power supply for up to 12 KA1-T2H (full power) or up to 24 KA1-T2H (in background music or speech applications) and for K-RGBDMX / KRGBREM RGB LED controller for KTL2 and KT
	K-CTRL	60 W RGB LED DMX Controller for up to 4 KTL2s or KTL2Cs
	K-RGBDMX	RGB LED DMX Controller for up to 10 KTL2s / KTL2Cs (using the K-AL120) or up to 20 (using the K-AL240)
	K-RGBREM	RGB LED Controller with remote control for up to 10 KTL2s / KTL2Cs (using the K-AL120) or up to 20 (using the K-AL240)
	KA-FRAME	2U Rack Adapter for 4 K-CTRLs

12. SERVICE

To obtain service:

- 1) Contact the official K-array distributor in your country. Your local distributor will direct you to the appropriate service center.
- 2) If you are calling for service, please have the serial number(s) of the unit(s) available for reference. Ask for Customer Service, and be prepared to describe the problem clearly and completely.
- 3) If the problem cannot be resolved over the phone, you may be required to send the unit in for service. In this instance, you will be provided with an RA (Return Authorization) number which should be included on all shipping documents and correspondence regarding the repair. Shipping charges are the responsibility of the purchaser.

Any attempt to modify or replace components of the device will invalidate your warranty. Service must be performed by an authorized K-array service center.



Cleaning:

Use only a soft, dry cloth to clean the housing. Do not use any solvents, chemicals, or cleaning solutions containing alcohol, ammonia, or abrasives. Do not use any sprays near the product or allow liquids to spill into any openings.

13. SPECIFICATIONS


	KT2 specs	KT2C specs
Acoustics		
Speaker power handling	18 W ^(AES)	
Impedance	8Ω - 32Ω (settable)	
Frequency range (-10 dB)	150 – 18 kHz ⁽¹⁾	
Maximum SPL	101 dB (cont.) – 107 dB (peak) ⁽²⁾	
Coverage		
Horizontal	90°	
Vertical	90°	
Crossover		
Type	External crossover required	
Frequency	150Hz 24dB/Oct minimum required	
Transducers		
Full-range	2" Neodymium magnet Woofer with 2 voice coils of 0.8"	
Impedance	2 x 16 Ω	
Power Audio Input		
Connectors	4-pin Phoenix connector	
Wiring	VoiceCoil A=1+ 1- VoiceCoil B=2+ 2-	
Certification		
IP	54	
Physical		
Dimensions	110 mm x 75 mm x 70 mm (4.33" x 2.95" x 2.76")	110 mm x 75 mm x 70 mm (4.33" x 2.95" x 2.76")
Weight	0.56 Kg (1.23 lb)	0.67 Kg (1.48 lb)

Notes for data
 1. With Dedicated preset
 2. Measured with musical signal
 New materials and design are introduced into existing products without previous notice.
 Present systems may differ in some respects from those presented in this sheet.



Designed as passive speaker, the new Tornados can be easily converted into self-powered devices by inserting the KA1-T2H amplifier module.

KA1-T2H specs

Connectors	4-pin Phoenix connector	Efficiency	Consumptions
Wiring	IN - (-) IN + (+) GRD (Ground)		N.A.
Connectors	4-pin Phoenix connector	Dimensions	Physical
Wiring	VCC (+) GND (common)		35 mm x 40 mm x 14 mm (1,37" x 1,57" x 0,55")
Type	1 Module Class D Electronically Processed	Weight	40 g (0.08 lb)
Nominal Power Output	32 W @ 8 Ω 1% THD + NOISE ⁽¹⁾	 <p style="text-align: center;">KA1-T2H</p>	
Protections	Dynamic limiter, over current, over temperature, short circuit power supply polarity inversion		
Frequency response	20Hz – 20kHz (+/- 3 dB) for 1W @ 8 Ω		
THD+N 1kHz, 1 W	0,100%		
Nominal voltage	12/24 Vdc		
Operating range	10-26 Vdc		
I. Nom.	0.4 A / 24 Vdc		
Notes for data 1. EIAJ Test Standard, 1kHz, 1%THD			



	KTL2	KTL2C
Acoustics		
Speaker power handling	18 W ^(AES)	
Impedance	8Ω - 32Ω (settable)	
Frequency range (-10 dB)	150 – 18 kHz ⁽¹⁾	
Maximum SPL	101 dB (cont.) – 107 dB (peak) ⁽²⁾	
Coverage		
Horizontal	90°	
Vertical	90°	
Crossover		
Type	External crossover required	
Frequency	150Hz 24dB/Oct minimum required	
Transducers		
Full-range	2" Neodymium magnet Woofer with 2 voice coils of 0.8"	
Impedance	2 x 16 Ω	
Power Audio Input		
Connectors	4-pin Phoenix connector	
Wiring	VoiceCoil A=1+ 1- VoiceCoil B=2+ 2-	
LED connections		
Connectors	4-pin Phoenix connector	
Wiring	R=1+ ; G=1- ; B= 2+ ; V=2-	
Certification		
IP	40	
Physical		
Dimensions	110 mm x 75 mm x 70 mm (4.33" x 2.95" x 2.76")	110 mm x 75 mm x 70 mm (4.33" x 2.95" x 2.76")
Weight	0.54 Kg (1.19 lb)	0.65 Kg (1.43 lb)

Notes for data

1. With Dedicated preset

2. Measured with musical signal

New materials and design are introduced into existing products without previous notice. Present systems may differ in some respects from those presented in this sheet.



Designed as passive speaker, the new Tornados can be easily converted into self-powered devices by inserting the KA1-T2H amplifier module.

KA1-T2H specs

Connectors	4-pin Phoenix connector	Efficiency	N.A.
Wiring	IN (-) IN (+) GRD (Ground)	1/8 rated power (pink noise)@ 8Ω	83%
Connectors	4-pin Phoenix connector	Dimensions	Physical 35 mm x 40 mm x 14 mm (1,37" x 1,57" x 0,55")
Wiring	VCC (+) GND (common)	Weight	40 g (0.08 lb)
Type	1 Module Class D Electronically Processed		
Nominal Power Output	32 W @ 8 Ω 1% THD + NOISE ⁽¹⁾		
Protections	Dynamic limiter, over current, over temperature, short circuit power supply polarity inversion		
Frequency response	20Hz – 20kHz (+/- 3 dB) for 1W @ 8 Ω		
THD+N 1kHz, 1 W	0,100%		
DC Power			
Nominal voltage	12/24 Vdc		
Operating range	10 - 26 Vdc		
I. Nom.	0.4 A / 24 Vdc		

Notes for data
1. EIAJ Test Standard, 1kHz, 1%THD



KA1-T2H





K-array s.u.r.l.

Via Paolina Romagnoli - 50037
San Piero a Sieve (Firenze) - Italy
tel. +39 055 8487222 - fax. +39 0558487238
e-mail: info@k-array.com
www.k-array.com

