

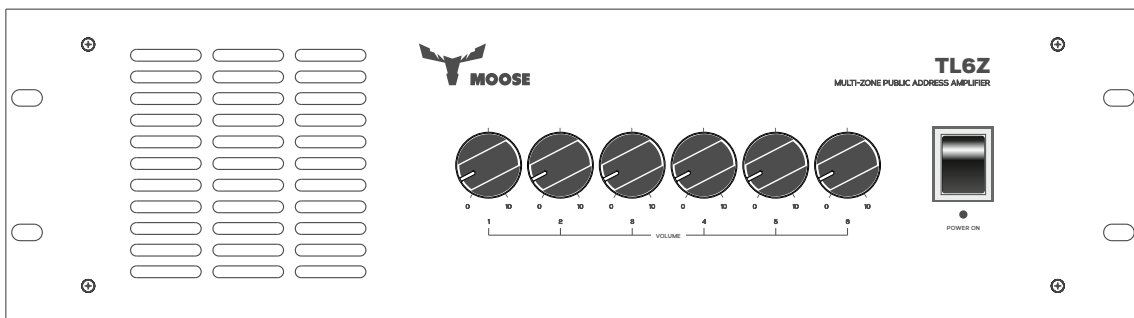
MOOSE

www.mooseaudio.com

PROUDLY DEVELOPED AND
MANUFACTURED IN PORTUGAL

TL6Z

Multi-zone PA mixer/amplifier
6 independent zones



USER'S MANUAL

Introduction

Dear customer,

Thank for choosing MOOSE branded products!

MOOSE is a brand of professional audio & lighting products, proudly developed and manufactured in PORTUGAL.

In order to operate this product in a safe and reliable manner, please follow the instructions in this booklet and before operating the equipment read the instructions carefully and please note the technical information.

Our products undergo very rigorous testing under strict conditions and they are monitored continuously during the manufacturing process. In order to guarantee the product function and safety, the original parts of the manufacturer's design must be used. If any parts other than those of the manufacturer are used, or the product is modified in any way, the user forfeits all warranty rights to claim.

Caution

1. Before connecting the equipment to the power outlet, first verify that the mains voltage and frequency match the values specified on the equipment.
2. If the power cord of the device is equipped with an earthing contact, then it must be connected to an outlet with a protective ground. Never deactivate the protective ground of a power cord.
3. Unplug the power cord and power adapter from the power outlet if there is a risk of a lightning strike or before extended periods of disuse.
4. Replace fuses only with fuses of the same type and rating. If a fuse blows repeatedly, please contact an authorised service company.
5. Do not open or modify this equipment.
6. After connecting the equipment, check all cables in order to prevent damage or accidents, e.g., due to tripping hazards.
7. Do not turn on the Amplifier ON before checking that all volumes to zero .

IMPORTANT: Never remove the cover, because otherwise there may be a risk of electric shock. There are no user serviceable parts inside. Have repairs carried out only by qualified service personnel.



The lightning flash with arrowhead symbol within an equilateral triangle is intended to alert the user to the presence of uninsulated "dangerous voltage" within the product's enclosure that may be of sufficient magnitude to constitute a risk of electrical shock.



The exclamation mark within an equilateral triangle is intended to alert the user to the presence of important operating and maintenance instructions.



To prevent electrical shock do not remove the cover. No user serviceable parts inside. Refer service to qualified personnel only.

The amplifier is marked with this instruction so please proceed accordingly in order to avoid any hazard.

Manufacturers Declaration

PROPER DISPOSAL OF THIS PRODUCT

(Valid in the European Union and other European countries with waste separation)



This symbol on the product, or the documents accompanying the product, indicates that this appliance may not be treated as household waste. This is to avoid environmental damage or personal injury due to uncontrolled waste disposal. Please dispose of this product separately from other waste and have it recycled to promote sustainable economic activity.

Household users should contact either the retailer where they purchased this product, or their local government office, for details on where and how they can recycle this item in an environmentally friendly manner.

Business users should contact their supplier and check the terms and conditions of the purchase contract. This product should not be mixed with other commercial wastes for disposal .

ENVIRONMENTAL PROTECTION AND ENERGY CONSERVATION

Energy conservation is an active contribution to environmental protection. Please turn off all unneeded electrical devices. To prevent unneeded devices from consuming power in standby mode, disconnect the mains plug.

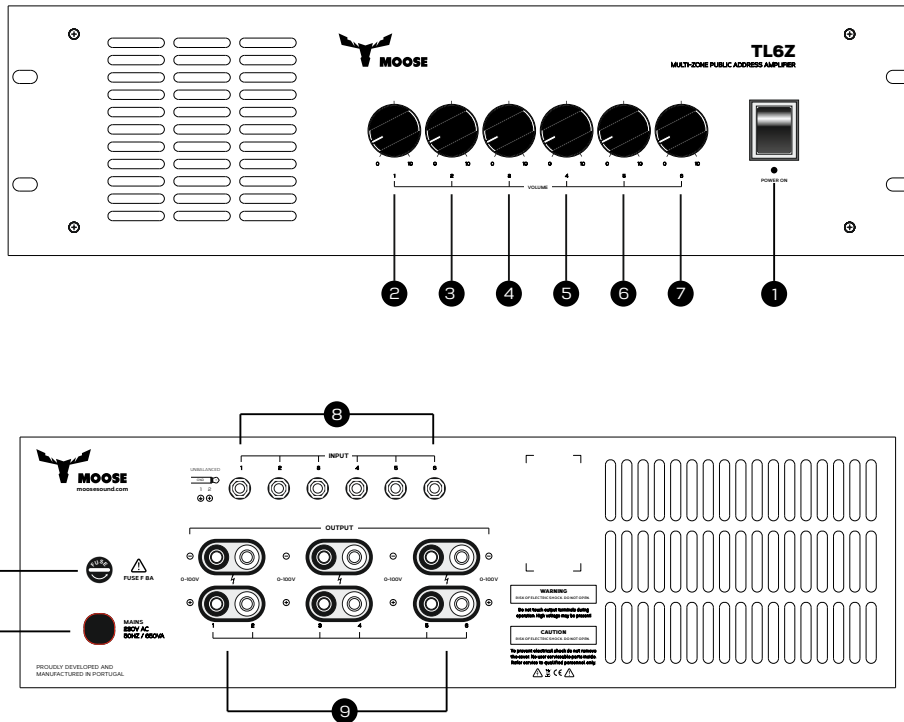
EC DECLARATION OF CONFORMITY

The equipment marketed by MOOSE complies (where applicable) with the essential requirements and other relevant specifications of Directives 1999/5/EC (R&TTE), 2004/108/EC (EMC) und 2006/95/EC (LVD). Additional information can be requested to info@profactor.pt.

 **PROUDLY DEVELOPED AND MANUFACTURED IN PORTUGAL**

Connections and Controls

Please refer to the following scheme and instructions:



- 1. POWER ON:** Illuminated on/off switch. Before switching the system on, always adjust the volume to zero.
- 2. VOLUME 1:** Channel 1 Volume Control.
- 3. VOLUME 2:** Channel 2 Volume Control.
- 4. VOLUME 3:** Channel 3 Volume Control.
- 5. VOLUME 4:** Channel 4 Volume Control.
- 6. VOLUME 5:** Channel 5 Volume Control.
- 7. VOLUME 6:** Channel 6 Volume Control.
- 8. INPUT:** Signal inputs, channel 1 to 6, in Jack ¼".
- 9. OUTPUT:** High impedance outputs (100V - line transformer), channel 1 to 6, screw terminals - respect polarity.
- 10. FUSE:** Fuse socket with fuse holder, AC 230V - 50~60Hz. Replace the fuse only with a fuse of the same type and rating. If the fuse blows repeatedly, please contact an authorised service company.
- 11. MAINS CABLE:** Power cable AC 230V - 50~60Hz.

Connections and Controls

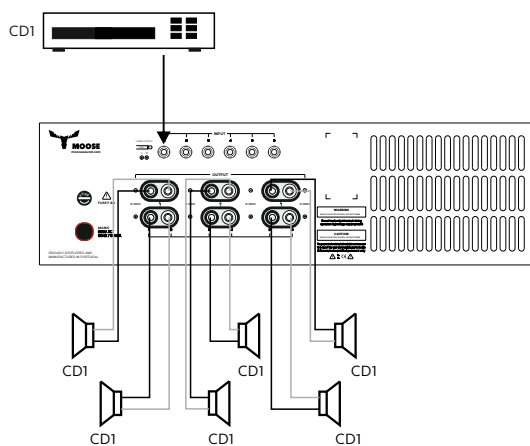
In order to ensure the right procedure, please follow as described:

- 1 - Verify that all Volume Control Pots (2 - 7) are at their minimum value (0);
- 2 - Connect the Mains Supply Cable (11);
- 3 - Connect all signal sources and devices that will be working with TL6Z to their respective Inputs just like connection diagram below;
- 4 - Connect the Speakers. If you have Low Impedance Speakers then you must connect them to Terminals (9). The speakers to be used in the installation must have 100V Line Transformer, always respecting polarity;
- 5 - Connect the Amplifier applying on the On/Off Power Switch (1);
- 6 - Adjust Volumes;

Your Amplifier is ready to start working. If something wrong occurs you must turn off the Amplifier and verify all connections and steps again.

Connection diagrams

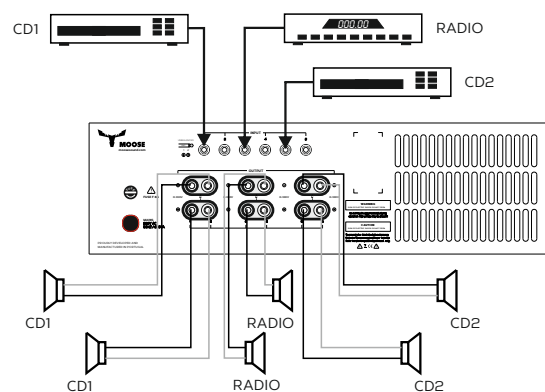
**SINGLE AUDIO SOURCE
6 INDEPENDENT ZONES:**



Input sockets are electronically connected so that when a single audio source is connected to the input n. 1 then the signal is available in all outputs from 1 to 6. But if you connect a single audio source to the input n. 3 then only outputs 3 to 6 will have this signal available.

This process is valid for each input/output.

**DIFFERENT AUDIO SOURCES
6 INDEPENDENT ZONES:**



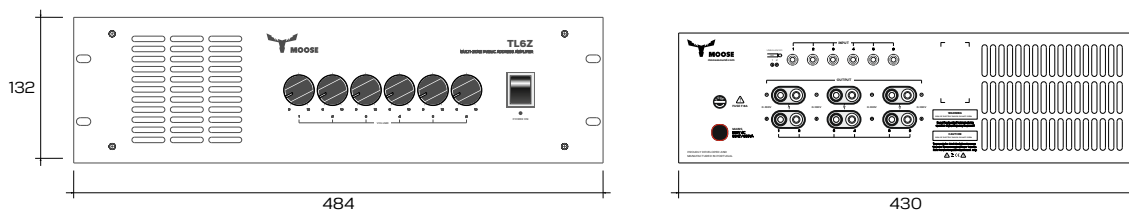
Input sockets are electronically connected so that when a single audio source is connected to the input n. 1 then the signal is available in all outputs from 1 to 6., unless is there a second external audio source that is connected to one of the available inputs..

As it is shown on the example above, when a second audio source is connected to the input n. 3, only outputs n. 1 and n. 2 will deliver the signal inserted into the input n. 1. Outputs n. 3 and n. 4 will deliver RADIO signal and outputs n. 5 and n. 6 the Cd2 external audio source.

Technical specifications

MODEL	TL6Z
TYPE	Public address mixer-amplifier
POWER OUTPUT (RMS)	6x 150W
FREQUENCY RANGE	50Hz - 15kHz
T.H.D. (20Hz - 20kHz)	< 1% @ 1kHz
S/N RATIO	> 90dB @ 1kHz
ZONES	6 zones
CONTROLS	Input channel level/volume
INDICATORS	Power on
INPUTS	Signal in
OUTPUTS	High impedance 100V line transformer
CONNECTORS	Input in 6.3mm Jack, & Output: touch-proof binding post
PHANTOM POWER	No
OTHER FEATURES	Independent zone control, priority signal source scheme
PROTECTIONS	Short circuit, DC protection
OPERATING VOLTAGE	230V AC (factory config.), 50-60Hz
POWER CONSUMPTION	900VA
COOLING	Continuously speed fan, 120mm / 230V AC
DIMENSIONS (WxDxH)	3RU space, 460mm depth
WEIGHT	23Kg

Dimensions



Unit: mm (millimeters)

PROUDLY DEVELOPED AND
MANUFACTURED IN PORTUGAL

MOOSE is a brand of PROFACTOR S.A.

PROFACTOR S.A

Rua do Padrão 52
4440-617 Valongo
PORTUGAL
Telf.: +351 224 119 160
Fax: +351 224 155 822
info@profactor.pt

MOOSE



www.moosesound.com