

S.M.S.L



Sanskrit 10th

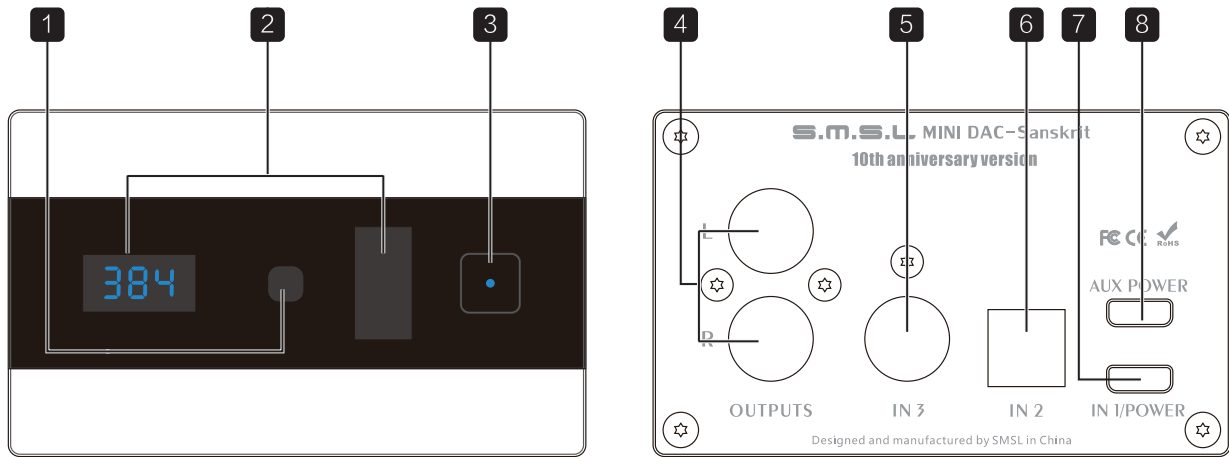
USER MANUAL

<http://www.smsl-audio.com/>

TIPS

- Install this unit in a well ventilated, cool, dry, clean place-away from direct sunlight, heat sources, vibration, dust, moisture, or cold..
- On the top of this unit, do NOT place:
 - Other components, as they may cause damage or discoloration on the surface of this unit.
 - Burning objects (i.e. candles) , as they may cause fire , damage to this unit , or personal injury.
 - Containers with liquid in them, as they may fall and liquid may cause electrical shock to the user or damage to this unit.
- Do not cover this unit with a newspaper, tablecloth, curtain , etc. in order not to obstruct heat radiation. If the temperature inside this unit rises, it may cause fire, damage to this unit, or personal injury.
- Only the voltage specified on this unit must be used. Using this unit with a higher voltage than specified is dangerous and may cause fire , damage to this unit, or personal injury. SMSL will not be held responsible for any damage resulting from use of this unit with a voltage other than that specified.
- Do not attempt to modify or fix this unit. Contact qualified SMSL service personnel when anyservice is needed. The cabinet should never be opened for any reason.
- When not planning to use this unit for long periods of time (i.e. when going on vacation), disconnect the power cable from the AC wall outlet.
- For added protection for this product during a lightning storm, or when it is left unattended and unused for long periods of time, unplug it from the wall outlet. This will prevent damage to the product due to lightning and power-line surges.

Parts Names



- | | | |
|------------------------|--------------------------------------|--------------------------|
| 1 Remote Window | 2 Display | 3 POWER/INPUT KEY |
| 4 Audio Outputs | 5 Coaxial Input | 6 Optical Input |
| 7 USB Input | 8 Aux Power Supply (see Note) | |

Note:

1. This is the Aux power input, when you using phones to connect the USB, you need to connect a 5V DC power for not making the phone overcurrent;
2. You may not use the Quick-Charge power for this connector, because of the Quick-Charge power may output over 5V, that is dangerous for this unit!

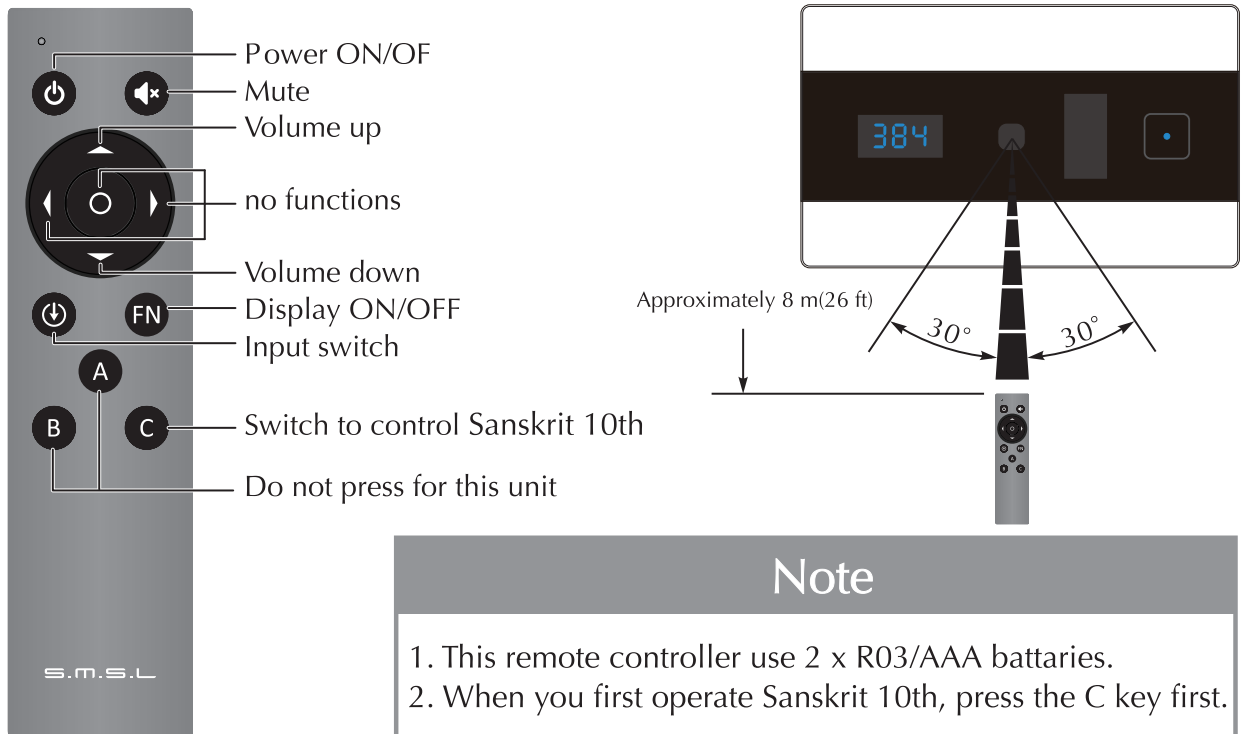
Specifications

Input	USB / Optical / Coaxial	
Output Level.....	2.1Vrms	
THD+N	0.0005%	
Dynamic range	117dB	
SNR	118dB	
USB compa bility	Windows 7 / 8 / 8.1 / 10 Mac OS X10.6 or Later / Linux	
Bit depth		
USB	1bit ~ 32bit	
Optical/coaxial	1bit ~ 24bit	
Sampling rate:		
USB	PCM	44.1 ~ 384kHz
	DSD	2.28224 ~ 11.2896MHz
Optical/coaxial	32 ~ 192kHz	
Power Consumption	1.5W	
Standby power	<0.1W	
Size	75x45x144 (WxHxD)	
Weight	300g	

Remote control

- Install 2 x AAA batteries as instructions.
- When using the remote control, point it toward the remote control signal receiver on the main unit from a distance of 5 m (16 ft) or less. Do not place obstructions between the main unit and the remote control.
- The remote control might not work if the remote control signal receiver on the unit is exposed to direct sunlight or bright light. If this occurs, try moving the unit. Beware that use of this remote control could cause the unintentional operation of other devices that can be controlled by infra.

Operating the remote control



POWER/INPUT KEY

1. POWER / INPUT KEY

- 1) Hold the key to switch power ON or OFF.
- 2) Press the key to switch INPUTS between "USB, COAXIAL, OPTICAL" which display as "in1, in2, in3".



2. ROTATE THE UNIT

The Sanskrit 10th is designed for minimized desktop usage, it has 3 setup mode show as below, in these modes, the display will rotate by itself because the Sanskrit 10th has built-in digital accelerometer, it will sense the direction it is in.



Note: Sanskrit 10th must be placed horizontally, otherwise the display may not work properly!

3. TURN OFF THE DISPLAY

The Sanskrit 10th can be turned off the display for you to enjoy the music without light interfere.

- 1) Use the "FN" key of remote controller to switch on or off this function.
- 2) When the display is off, a blue LED will lit indicating this mode.
- 3) When in display-off mode, any operation will make display recovery for 5 seconds.

4. DISPLAY INSTRUCTIONS

- 1) When starting up the unit will display " 5 10 ", which stand for Sanskrit 10th.
- 2) When starting up the unit will display 2 seconds of " 5 10 ", volume and current sampling rate in turn.
- 3) When there is no input signal or the sampling rate exceeds the range of the unit, the display will display as " --- ".
- 4) When switching inputs, " in1 , in2 , in3 " will be displayed .
- 5) When adjusting the volume, the volume is displayed in the range of -00 (max) ~ -40 (min).

5. MUTING

1. Press the MUTE key of the remote controller, the unit will mute the audio output, and if the display is not OFF it will flash the volume on the display
2. Press the MUTE key again or adjusting volume will cancel muting.

Factory Reset

Plug in the power cable while pressing POWER button, until Sanskrit 10th power ON.

Warranty terms

The warranty card enclosed should be completed by the Dealer and the purchaser and returned to SMSL or its Distributor within 8 days of purchase. No Dealer or Distributor may vary the terms of this warranty, which is personal to the original Purchaser and is not transferable. Please retain the sales receipt as proof of purchase. Warranty claims must wherever possible be made through the Dealer from whom the equipment was purchased.

This warranty excludes:

- Damage caused through neglect, accident, misuse, wear and tear, or through incorrect installation, adjustment or repair by unauthorized personnel. Any unauthorized servicing will result in loss of warranty.
- Liability for damage or loss occurring in transit to or from the purchaser.
- Consequential damage, loss or injury, arising from or in conjunction with this equipment.

Equipment for attention under warranty should be consigned return carriage paid. If returned equipment is found to comply with the published specification, SMSL reserves the right to raise a charge.

The above conditions do not affect your statutory rights as a consumer.

Shenzhen Shuangmusanlin Electronics Co., Ltd.
Address: 8th Floor B6 Building JunFeng Industrial Park,
Fuyong town, BaoAn District Shenzhen, China
Tel: +86-755-27444178
<http://www.smsl-audio.com/>