

Installation and Assembly - Round Ceiling Plate

Models: ACC570, ACC570S, ACC570W

NOTE: Read entire instruction sheet before beginning installation and assembly.

This product is UL Listed. It must be installed by a qualified professional installer.

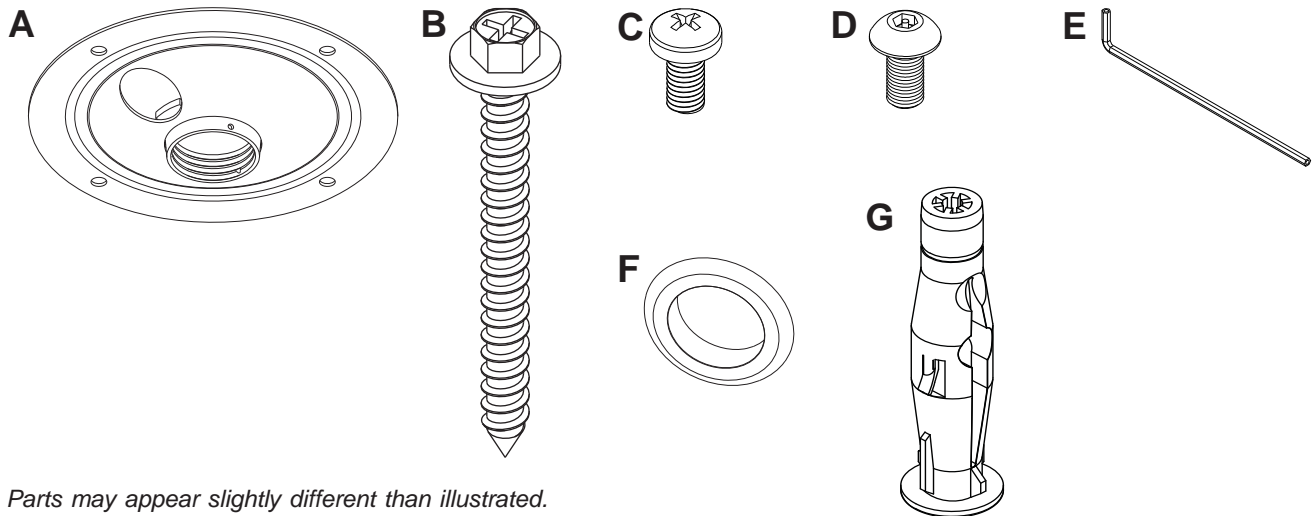


Maximum UL Load Capacity: 150 lb (68 kg)

Before you begin, make sure all parts shown are included with your product.

Parts List

Description	Qty.	ACC570	ACC570S	ACC570W
		Part #	Part #	Part #
A round ceiling plate	1	055-1798	055-4798	055-2798
B #14 x 2.5" wood screw	4	5S1-015-C03	5S1-015-C04	5S1-015-C04
C M5 x .8 x 10 mm phillips screw	1	520-9250	520-2005	520-2005
D M5 x .8 x 10 mm socket pin screw	1	520-1164	520-2031	520-2031
E 4 mm allen wrench	1	560-9646	560-9646	560-9646
F rubber grommet	1	530-9401	530-9401	530-9401
G concrete anchor	4	590-0320	590-0320	590-0320



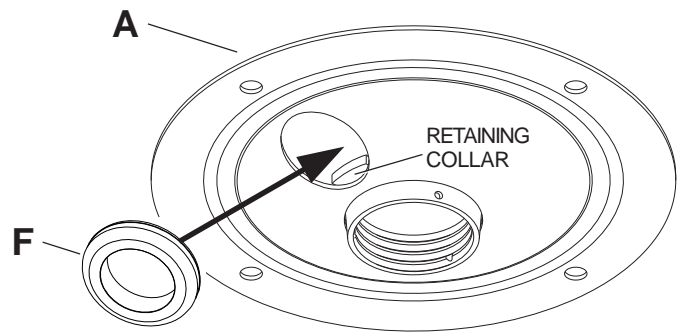
Parts may appear slightly different than illustrated.

⚠ WARNING

- Do not begin to install your Peerless product until you have read and understood the instructions and warnings contained in this Installation Sheet. If you have any questions regarding any of the instructions or warnings, please call Peerless customer care at 1-800-865-2112.
- This product should only be installed by someone of good mechanical aptitude, has experience with basic building construction, and fully understands these instructions.
- Make sure that the supporting surface will safely support the combined load of the equipment and all attached hardware and components.
- Never exceed the Maximum UL Load Capacity.
- If mounting to wood joists or wood beam ceilings, make sure that mounting screws are anchored into the center of the joists or beams. Use of an "edge to edge" stud finder is highly recommended.
- Always use an assistant or mechanical lifting equipment to safely lift and position equipment.
- Tighten screws firmly, but do not overtighten. Overtightening can damage the items, greatly reducing their holding power.

1 Place grommet (F) into hole of ceiling plate (A).

NOTE: Make sure grommet overlaps retaining collar. Grommet may require some force to fit in hole and will appear slightly deformed.



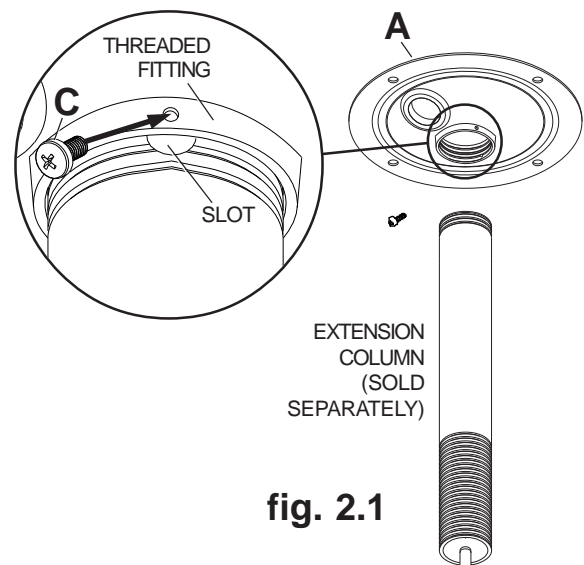
⚠ WARNING

- For safety, extension column must be locked to threaded fitting with screw.

Extension Column Applications

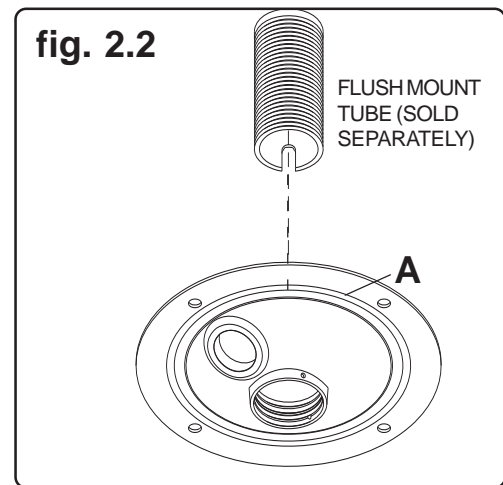
2 Insert end of extension column into threaded fitting of ceiling plate (A) as shown in figure 2.1. Tighten four or five complete turns. Align slot in extension column with one of the small holes in the side of the threaded fitting. Insert and tighten one M5 x 10 mm phillips screw (C) into hole to lock extension column to threaded fitting.

NOTE: For security option, use M5 x 10mm socket pin screw (D) in place of screw (C). Tighten using 4 mm allen wrench (E).



Flush Mounting Applications

2 Screw flush mount from top of ceiling plate (A) as shown in fig. 2.2. Tighten four or five complete turns.

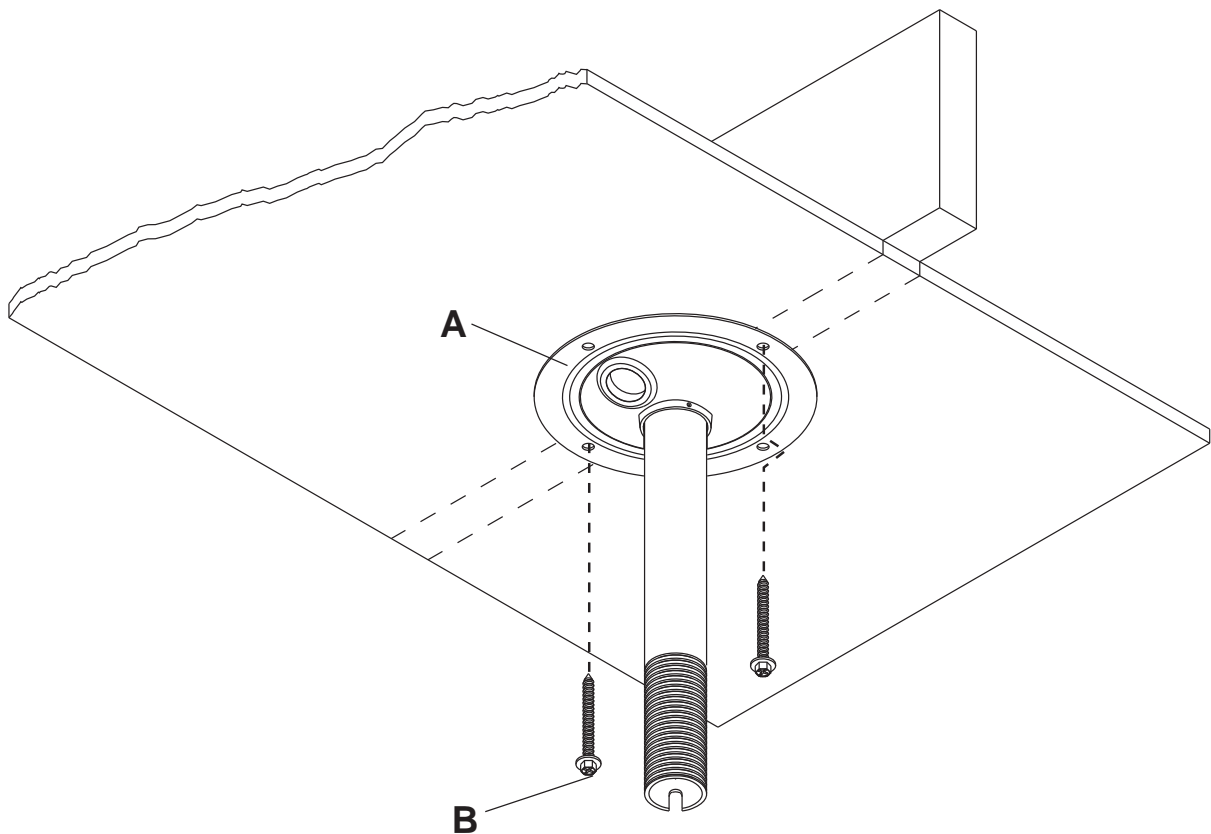


Installation to Wood Joist Finished Ceilings, Exposed Wood Joists, or Wood Beam Ceilings

⚠ WARNING

- Installer must verify that the supporting surface will safely support the combined load of the equipment and all attached hardware and components.
- Tighten wood screws so that ceiling plate is firmly attached, but do not overtighten. Overtightening can damage the screws, greatly reducing their holding power.
- Never tighten in excess of 80 in. • lb (9 N.M.).
- Make sure that mounting screws are anchored into the center of the wood joist or wood beam. The use of an "edge to edge" stud finder is highly recommended.
- Hardware provided is for attachment of mount through standard thickness drywall or plaster into wood joist or wood beam ceilings. Installers are responsible to provide hardware for other types of mounting situations (not evaluated by UL).

- 3** Drill two 5/32" (4 mm) dia. holes to a minimum depth of 2.5" (64 mm). Attach ceiling plate (A) to the joist center using two #14 x 2.5" wood screws (B) as shown. Tighten wood screws (B) using 3/8" (10 mm) socket wrench so ceiling plate (A) is firmly attached.



Installation to Solid Concrete or Cinder Block

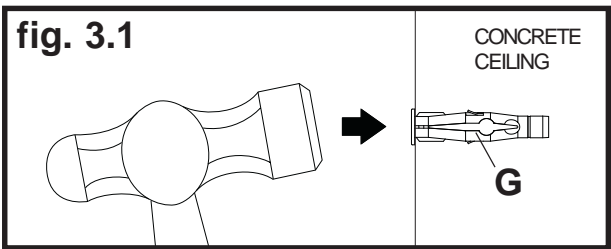
⚠ WARNING

- When installing Peerless ceiling plates on cinder block, verify that you have a minimum of 1-3/8" of actual concrete thickness in the hole to be used for the concrete anchors. Do not drill into mortar joints! Be sure to mount in a solid part of the block, generally 1" minimum from the side of the block. Cinder block must meet ASTM C-90 specifications. It is suggested that a standard electric drill on slow setting is used to drill the hole instead of a hammer drill to avoid breaking out the back of the hole when entering a void or cavity.
- Concrete must be 2000 psi density minimum. Lighter density concrete may not hold concrete anchor.
- Make sure that the supporting surface will safely support the combined load of the equipment and all attached hardware and components.

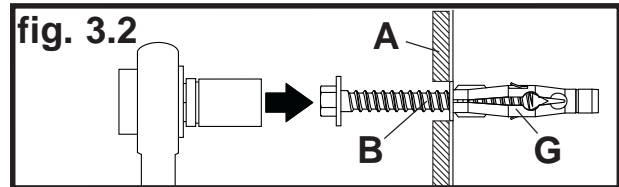
- 3** Use ceiling plate (A) as a template to mark holes. Drill four 3/16" (8 mm) dia. holes to a minimum depth of 2.5" (64 mm). Insert four anchors (G) in holes flush with ceiling as shown in figure 3.1. Place ceiling plate (A) over anchors (G) and secure with #14 x 2.5" (6 mm x 65 mm) wood screws (B). Tighten wood screws (B) using 3/8" (10 mm) socket wrench to firmly attach ceiling plate (A). See figures 3.2 and 3.3.

⚠ WARNING

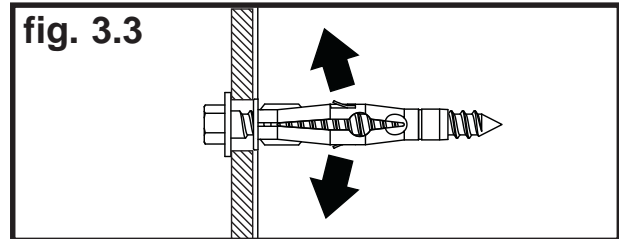
- Tighten screws so that ceiling plate is firmly attached, but do not overtighten. Overtightening can damage screws, greatly reducing their holding power.
- Never tighten in excess of 80 in. • lb (9 N.M.).
- Always attach concrete anchors directly to load-bearing concrete.
- Never attach concrete anchors to concrete covered with plaster, drywall, or other finishing material. If mounting to concrete surfaces covered with a finishing surface is unavoidable (Not evaluated by UL), the finishing surface must be counterbored as shown below. Be sure concrete anchors do not pull away from concrete when tightening screws. If plaster/drywall is thicker than 5/8", custom fasteners must be supplied by installer. (Not evaluated by UL)



Drill holes and insert anchors (G).



Place ceiling plate (A) over anchors (G) and secure with screws (B).



Tighten all fasteners.

