

# Component over CAT5 Transmitter

Operation Manual



CA-COMPAT

## **TABLE OF CONTENTS**

<b>1. Introduction</b> .....	3
<b>2. Features</b> .....	3
<b>3. Package Contents</b> .....	3
<b>4. Operation Controls and Functions</b> .....	4
4.1 Front Panel .....	4
4.2 Rear Panel .....	5
<b>5. Specifications</b> .....	6

## **1. Introduction**

**Cypress CA-COMPAT** is the transmitter (Tx) unit of Component over CAT5 solution, depends on the type of receiver (Rx) unit used. CA-COMPAT can extend Component signal through CAT-5 cables for a distance up to 50/100 meters. The installation of Cypress Component over CAT5 is easy and quick, simply place CA-COMPAT next to your display, and get all necessary cables connected to complete and enjoy.

## **2. Features**

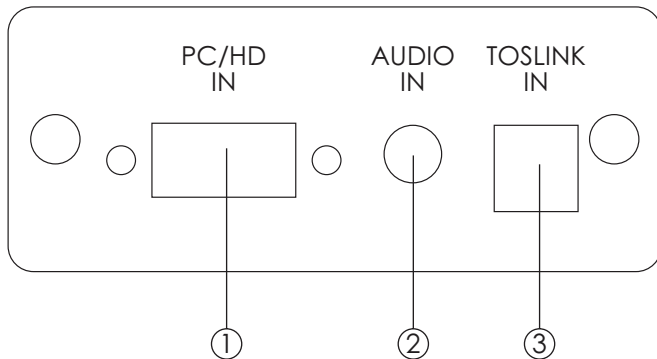
- Supports PC/RGB and HD/YCbCr/YPbPr format input.
- Supports CAT-5/CAT-5E/CAT-6 cable.
- Supports high definition (HD) input source up to 1080P.
- Supports PC input source up to UXGA.
- Easy to install and simple to operate.

## **3. Package Contents**

- Cypress CA-COMPAT – PC over CAT5 transmitter.
- 5V/1A DC power supply adaptor.
- Operation Manual.

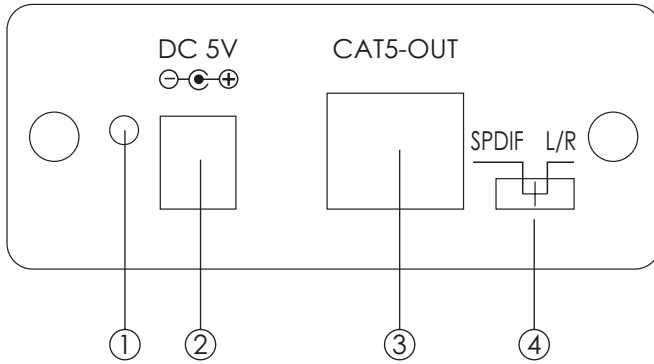
## 4. Operation Controls and Functions

### 4.1 Front Panel



1. PC/HD input: Connected the PC/HDMI input port to the PC/HDMI output of your source equipment.
2. Audio input: Connected external audio source.
3. Toslink input: Connected external SPDIF audio source.

## 4.2 Rear Panel



1. Power ON/OFF indicator.
2. DC 5V/1A: Power input.
3. CAT5-Out: Connected the video output to the video input of the CAT5 receiver unit using CAT-5 cable.
4. Switch; Select output audio source (SPDIF or L/R).

## 5. Specifications

Supported resolutions	HD: up to 1080p; PC: up to UXGA
Input audio source ports	Audio L/R and Toslink/SPDIF
Output video source port	CAT-5
Power Supply	5V/1A DC (US/EU standards, CE/FCC/UL certified)
Dimensions (mm)	99.5(W) x 79.5(D) x 32.5(H)
Weight(g)	200
Chassis Material	Metal
Silk Skin Color	Black/Silver
Operating Temperature	Operating from 0°C ~ 70°C

## **Cypress Component over CAT5 series:**

<b>Product</b>	<b>Description</b>
CA-COMPAT	Component over CAT5 Transmitter
CA-HDMI 50R	Component over CAT5 Receiver at 50 meters
CA-HDMI 100R	Component over CAT5 Receiver at 100 meters



**CYPRESS TECHNOLOGY CO., LTD.**

Home page: <http://www.cypress.com.tw>

20070920 MPM CA-COMPAT