

peerless-AV[®]

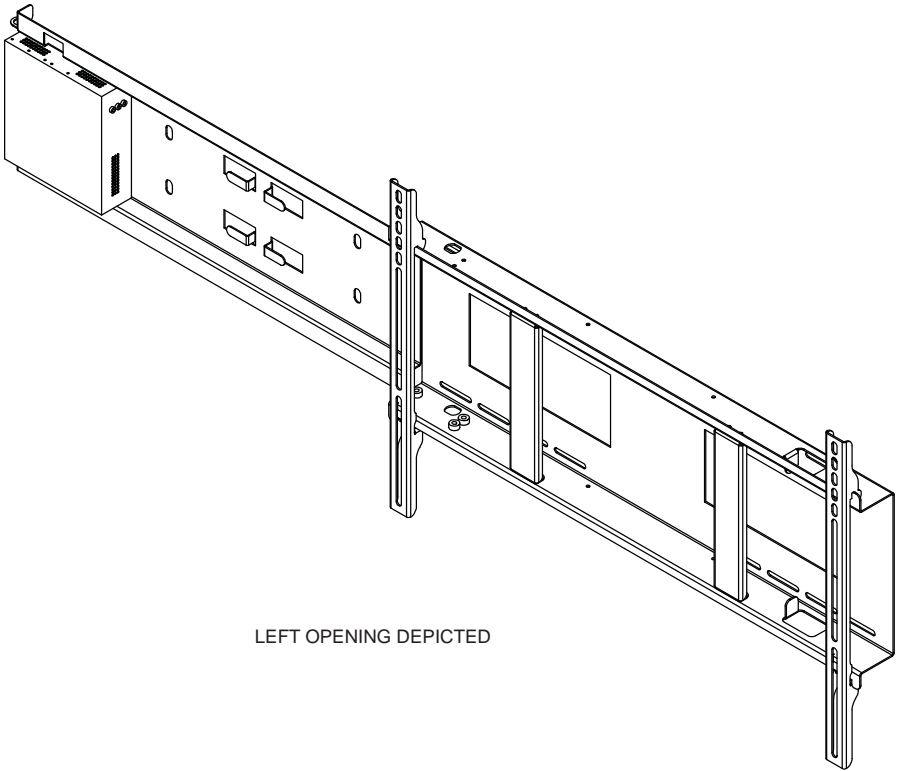
DMU50SM-02



37" - 70"
(94 - 178 cm)



125 lb
(57 kg)



LEFT OPENING DEPICTED



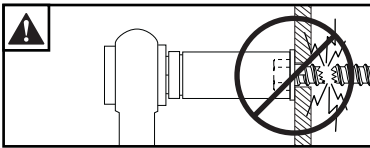
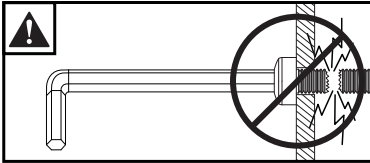
▲ WARNING

ENG - This product is designed to be installed on wood stud, solid concrete or cinder block walls. Hardware is included for wood stud, solid concrete and cinder block installation. Before installing make sure the supporting surface will support the combined load of the equipment and hardware. Screws must be tightly secured. Do not overtighten screws or damage can occur and product may fail. Never exceed the Maximum Load Capacity. Always use an assistant or mechanical lifting equipment to safely lift and position equipment. This product is intended for indoor use only. Use of this product outdoors could lead to product failure or personal injury. Be careful not to pinch fingers when operating the mount. For support please call customer care at 1-800-865-2112.

Symbols



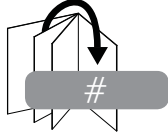
WARNING



Do not overtighten screws.



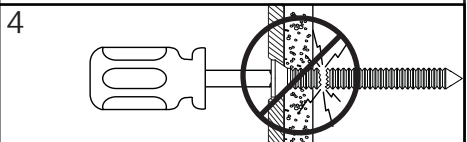
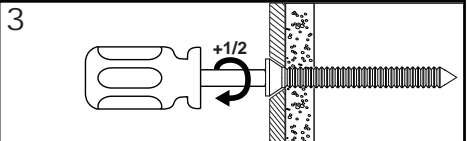
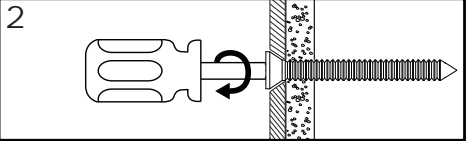
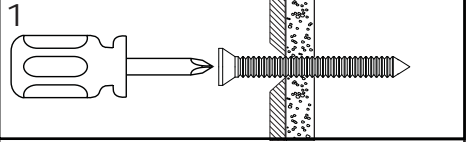
Screws must get at least three full turns and fit snug.



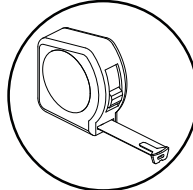
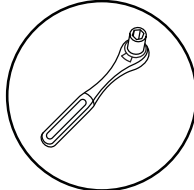
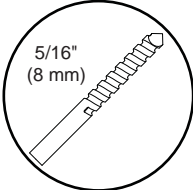
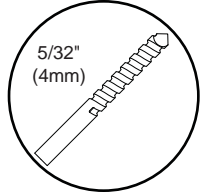
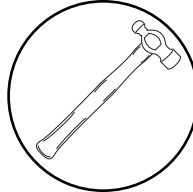
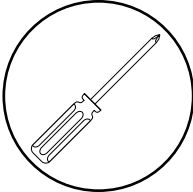
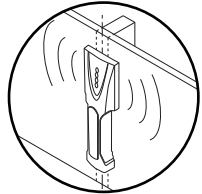
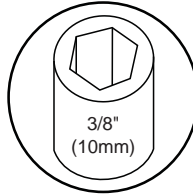
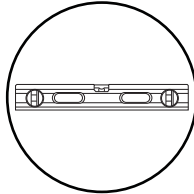
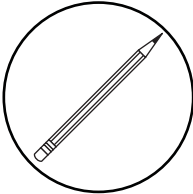
Skip to step.



To properly tighten screws: Tighten until screw head makes contact, then tighten another 1/2 turn. Do not overtighten screws.



Tools needed for assembly



Parts (Before beginning, make sure you have all parts shown below).

Parts List

Part Description	Quantity	Part Number
A slide out plate	1	125-1460
B wall plate	1	125-1462
C adapter bracket	2	125-1006
D M5 x 10 mm socket pin serrated washer head screw	4	510-1126
E M5 x 16 mm socket pin serrated washer head screw	1	510-1161
F M5 x 25 mm socket pin serrated washer head screw	2	510-1122
G 4 mm allen wrench	1	560-9646
H .219 ID x .5 X OD x .5 tall nylon spacer	1	540-1057
I #14 x 2.5 hex phillips wood screw	4	5S1-015-C03
J M3 x 8 mm phillips pan screw	4	520-1038
K #4 flat washer	4	540-1049
L .219 ID x .5 X OD x .25 tall nylon spacer	4	540-9413
M 3/4 EMT nut	1	560-0049
N lock and key	1	560-0755
O Concrete Anchor	4	590-0320

(Before beginning, make sure you have all parts shown below)

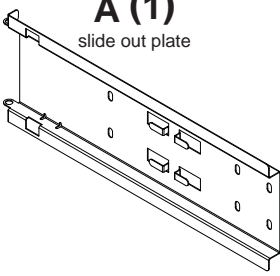
C (2)

adapter bracket



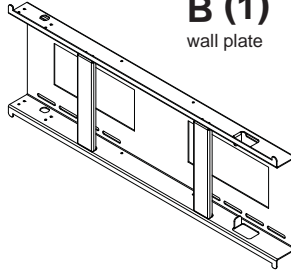
A (1)

slide out plate



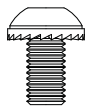
B (1)

wall plate



D (4)

m5 X 10 mm



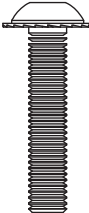
E (1)

M5 X 16 mm



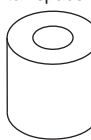
F (2)

M5 x 25 mm



H (1)

tall spacer



J (4)

M3 X 8 mm



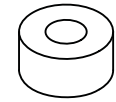
K (4)

#4 washer



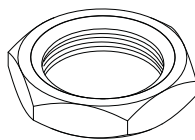
L (4)

short spacer



M (1)

EMT nut



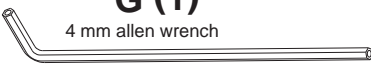
N (1)

lock & key
(key not shown)



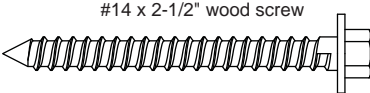
G (1)

4 mm allen wrench



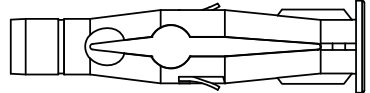
I (4)

#14 x 2-1/2" wood screw

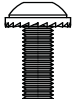


O (4)

concrete anchor



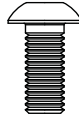
Security Adapter Bracket Fasteners



M4 x 12 mm (6)
(510-1079)



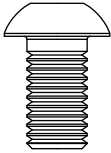
M4 x 25 mm (4)
(510-1082)



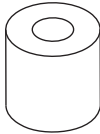
M5 x 12 mm (4)
(520-1064)



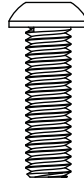
M5 x 25 mm (4)
(520-1122)



M8 x 15 mm (6)
(520-1068)



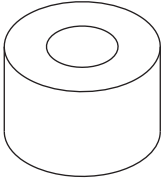
I.D. .22" (5.6 mm) (4)
(540-1057)



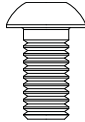
M6 x 20 mm (4)
(520-9554)



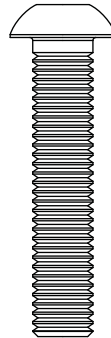
M6 x 30 mm (4)
(520-1067)



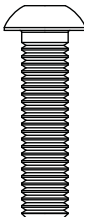
I.D. .34" (8.6 mm) (4)
(540-1059)



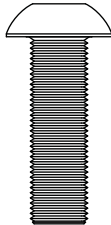
M6 x 12 mm (4)
(520-1050)



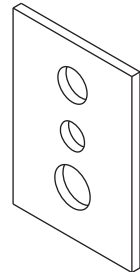
M8 x 40 mm (4)
(520-1152)



M6 x 25 mm (4)
(520-1211)



M8 x 25 mm (4)
(520-1101)

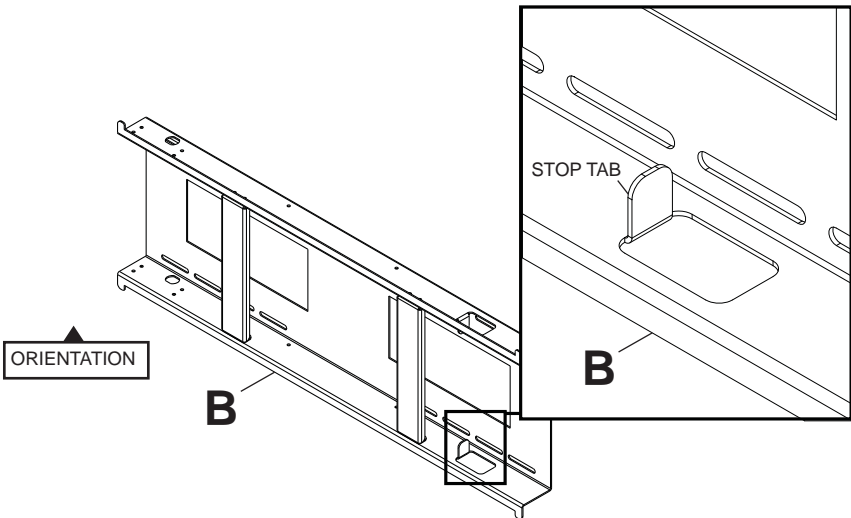
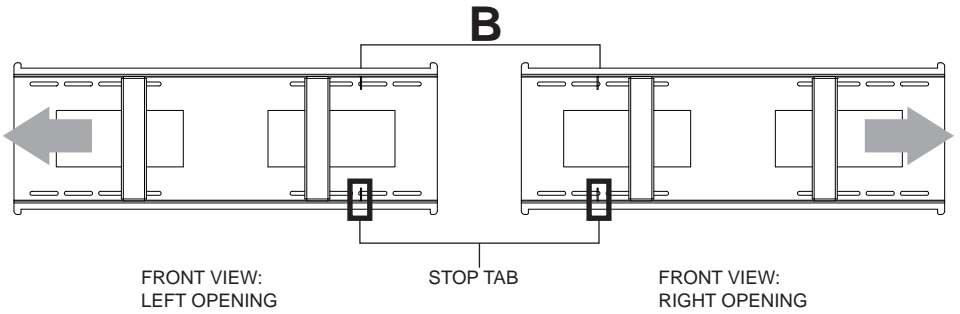
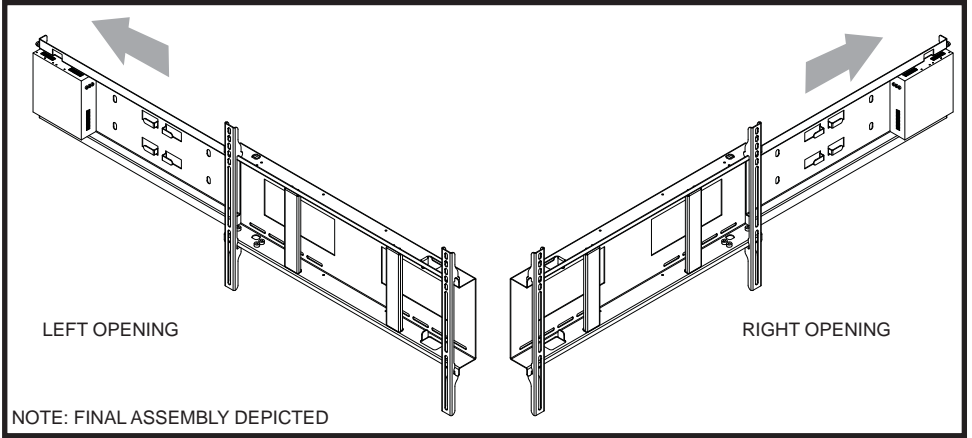


multi-washer (6)
(580-1036)

NOTE: The sorted-for-you™ fastener pack included was made specifically for your product and may not contain all illustrated components.

1

Locate the stop tabs to determine proper orientation for mount.

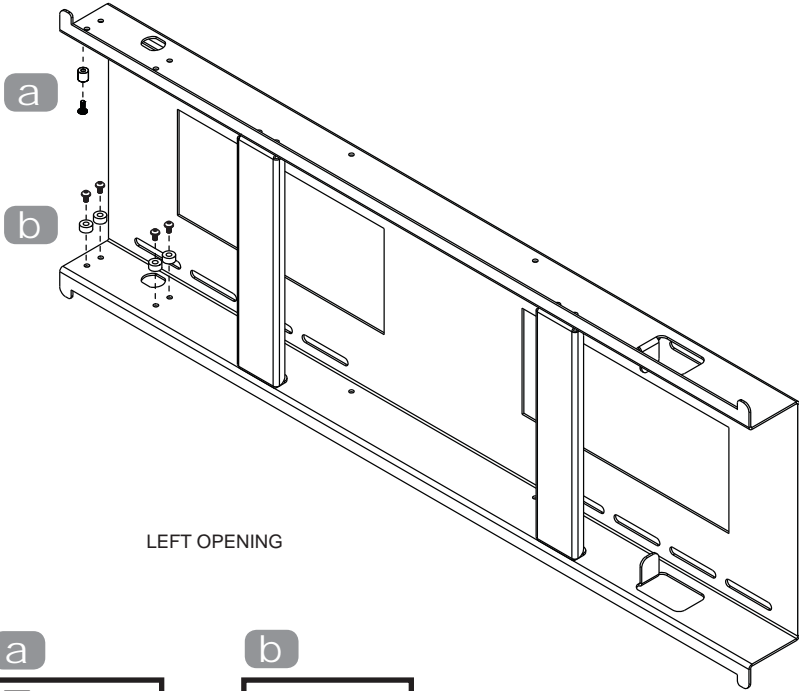


2

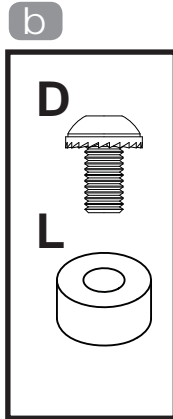
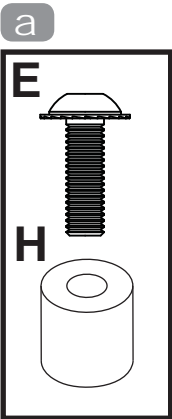
Secure four short spacers and one long spacer in position for desired opening location.

Four short spacers with four m5 x 10mm screws will always be in the

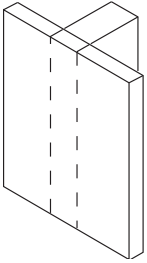
bottom position for each orientation. One long spacer with one M5 x 16 mm screw will always be used in the top position as shown.



LEFT OPENING



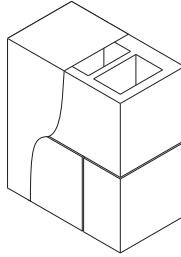
3.1



Wood stud wall.



3a-1



Concrete/Cinder block.



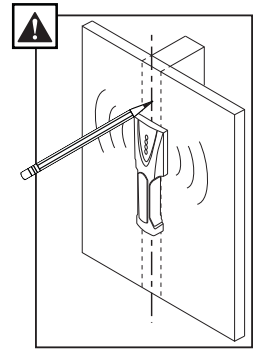
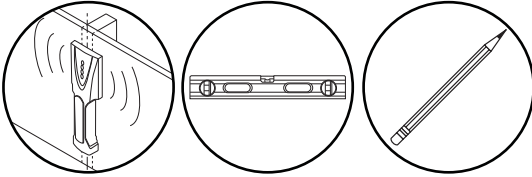
3b

▲ WARNING

ENG - When installing Peerless wall mounts on a wood stud wall covered with gypsum board (drywall), verify that the wood studs are a minimum of 2" x 4" nominal size. Do not install over gypsum board thicker than 5/8".

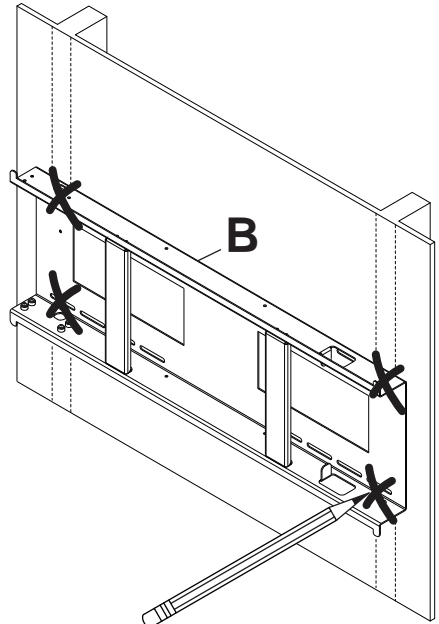
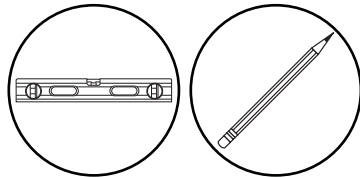
3a-1

Use stud finder to locate and mark stud center lines.



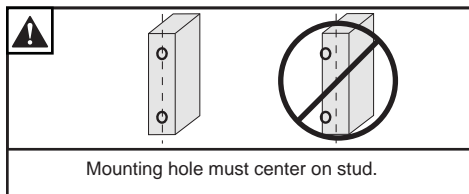
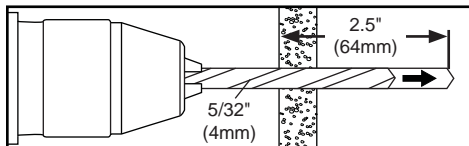
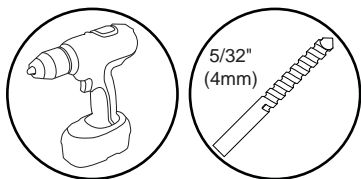
3a-2

Level wall mount. Mark mounting holes on stud center lines.



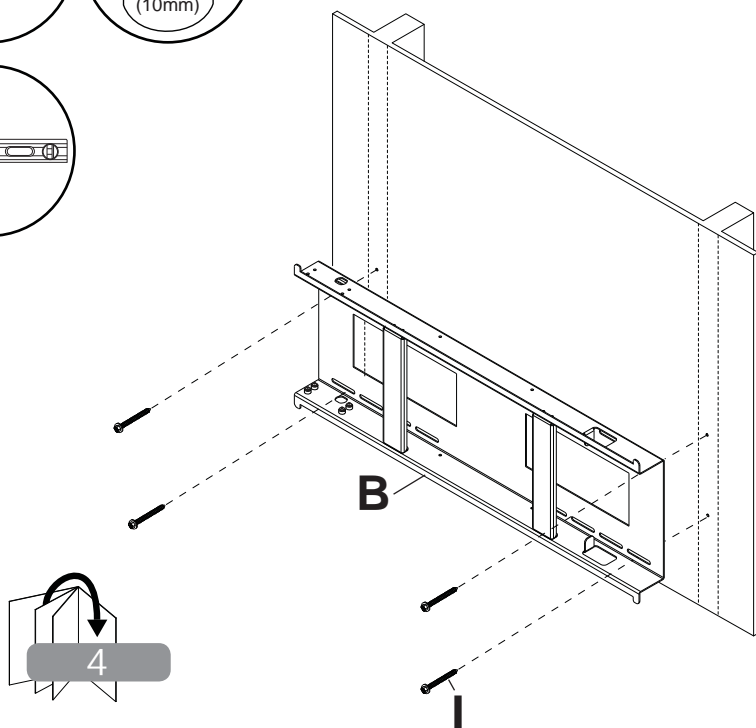
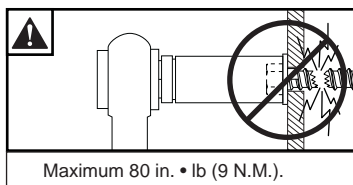
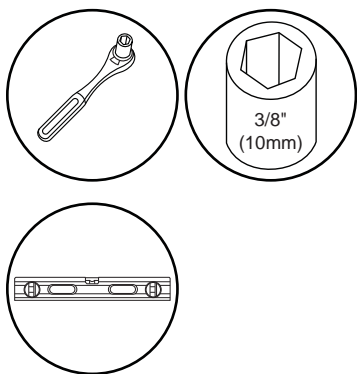
3a-3

Drill mounting holes into supporting surface (2.5" (64 mm) minimum depth required).



3a-4

Level wall mount. Install using wood screws provided.



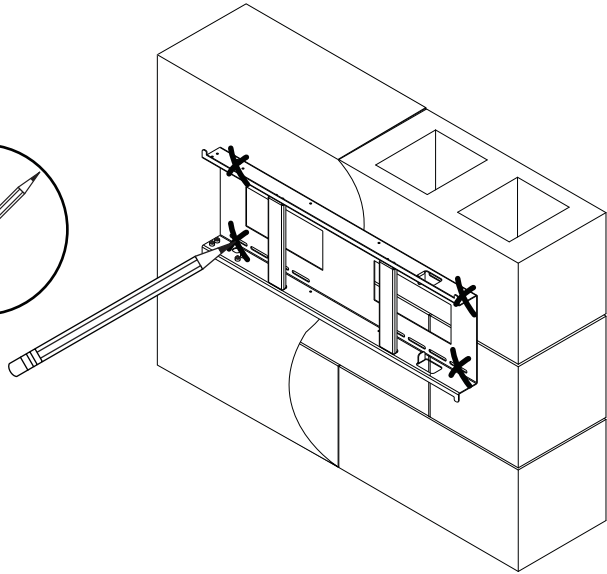
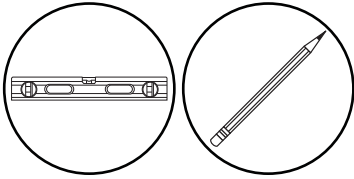
3b

▲ WARNING

ENG - When installing Peerless wall mounts on a concrete wall, the wall must be at least 8" thick with a minimum compressive strength of 2000 psi. When installing Peerless wall mounts on a cinder block wall, the cinder blocks must meet ASTM C-90 specifications and have a minimum nominal width of 8". Do not drill into mortar joints! Be sure to mount in a solid part of the block, generally 1" (25 mm) minimum from the side of the block. It is suggested that a standard electric drill on slow setting is used to drill the hole instead of a hammer drill to avoid breaking out the back of the hole when entering a void or cavity. Never attach concrete expansion anchors to concrete or cinder block covered with plaster, drywall or other finishing material.

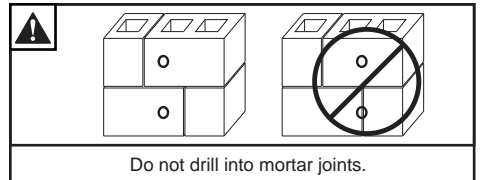
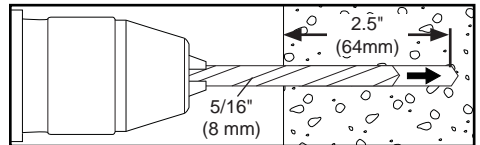
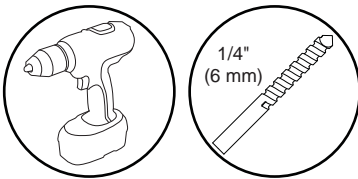
3b-1

Level wall mount. Mark mounting holes.

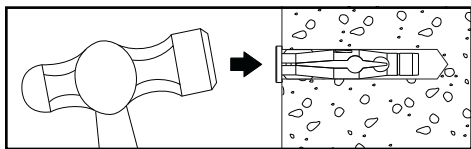
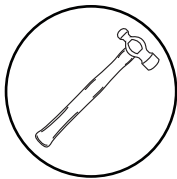


3b-2

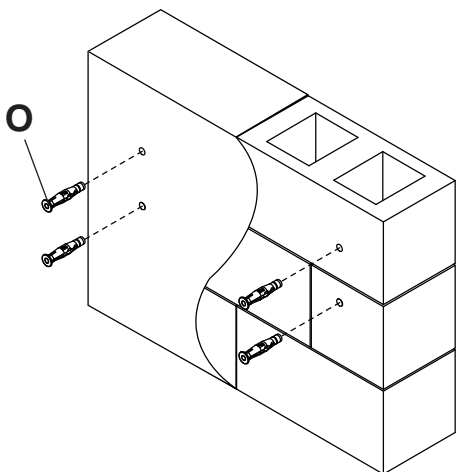
Drill mounting holes into supporting surface (2.5" (64 mm) minimum depth required).



3b-3

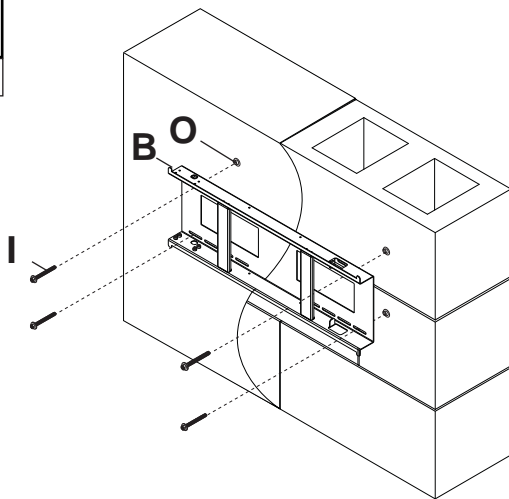
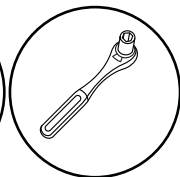
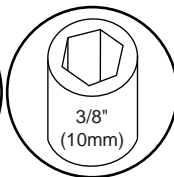
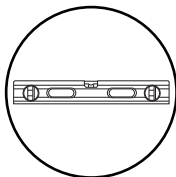
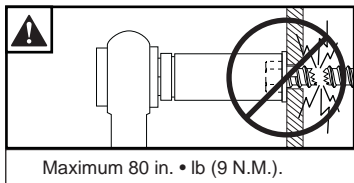


Insert anchor flush to concrete.



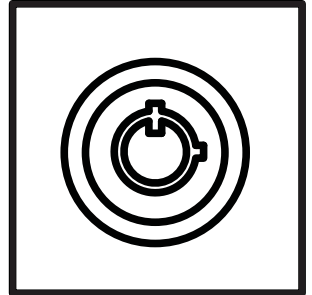
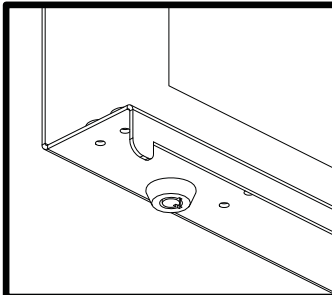
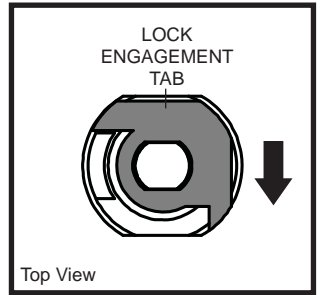
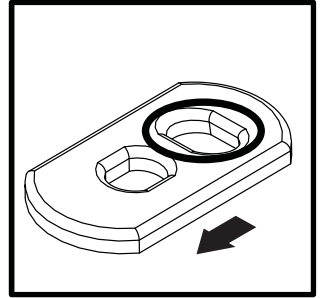
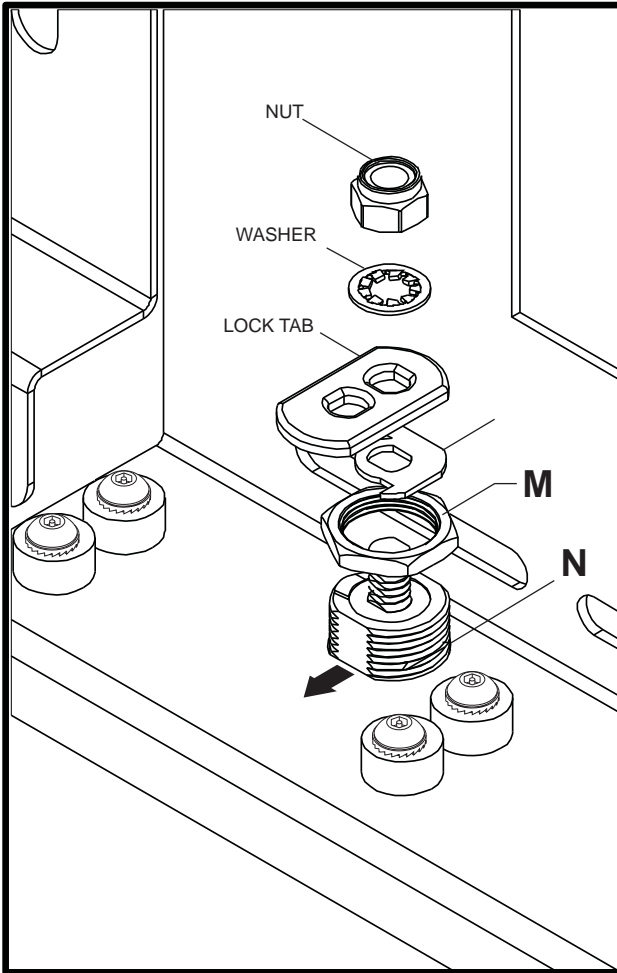
3b-4

Level wall mount. Install using concrete anchors and wood screws provided.



Secure lock into wall plate by using parts (provided with lock) and 3/4" EMT nut.

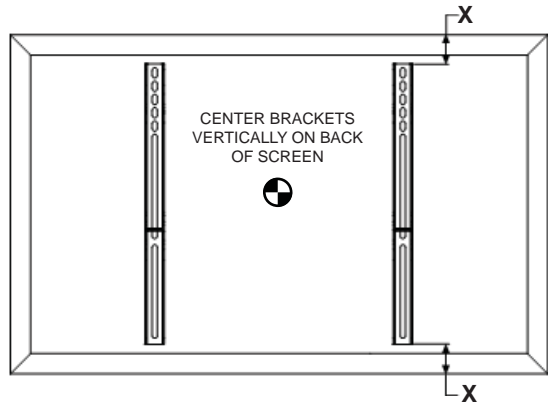
Note: Lock will NOT function properly if lock parts are in wrong position.



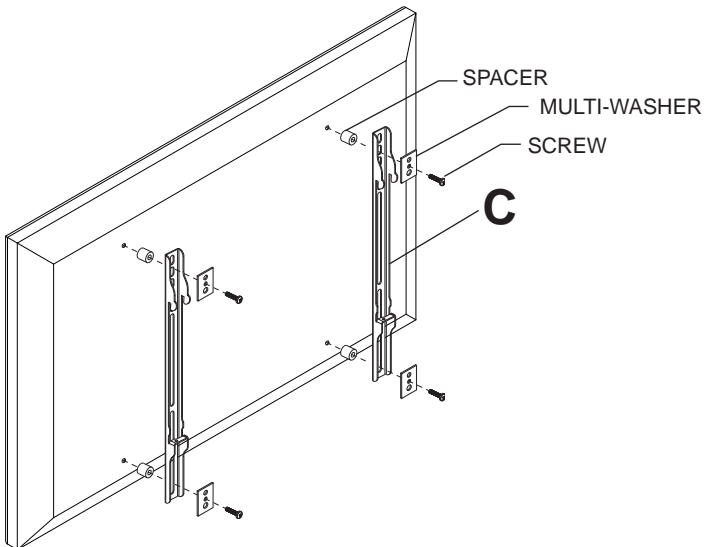
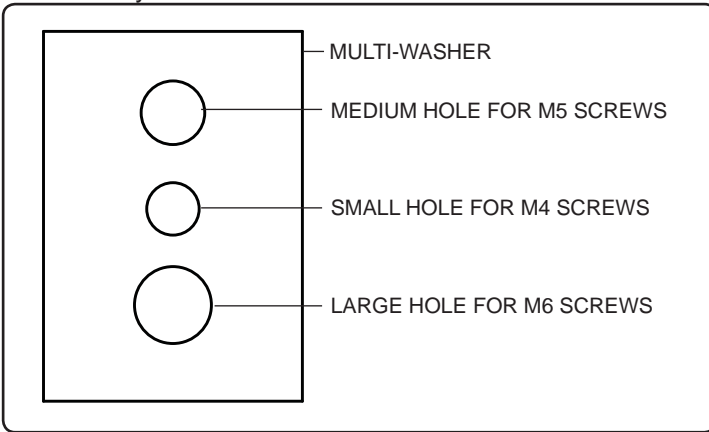
Use security adapter bracket fasteners

Notes:

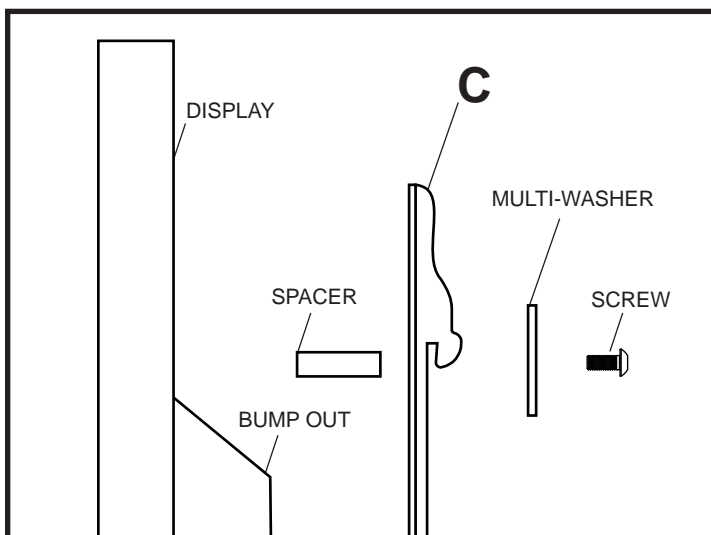
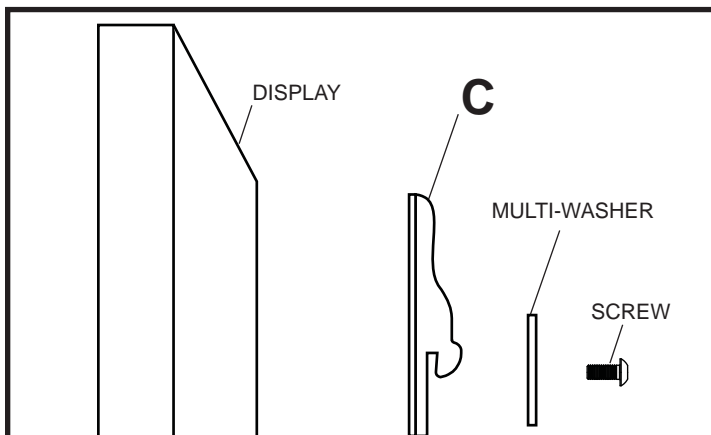
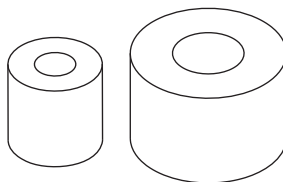
- The number of fasteners used will vary, depending upon the type of screen.
- Multi-washers and spacers may not be used, depending upon the type of screen.
- Use the corresponding hole in the multi-washer that matches your screw size.



NOTE: "X" dimensions should be equal.



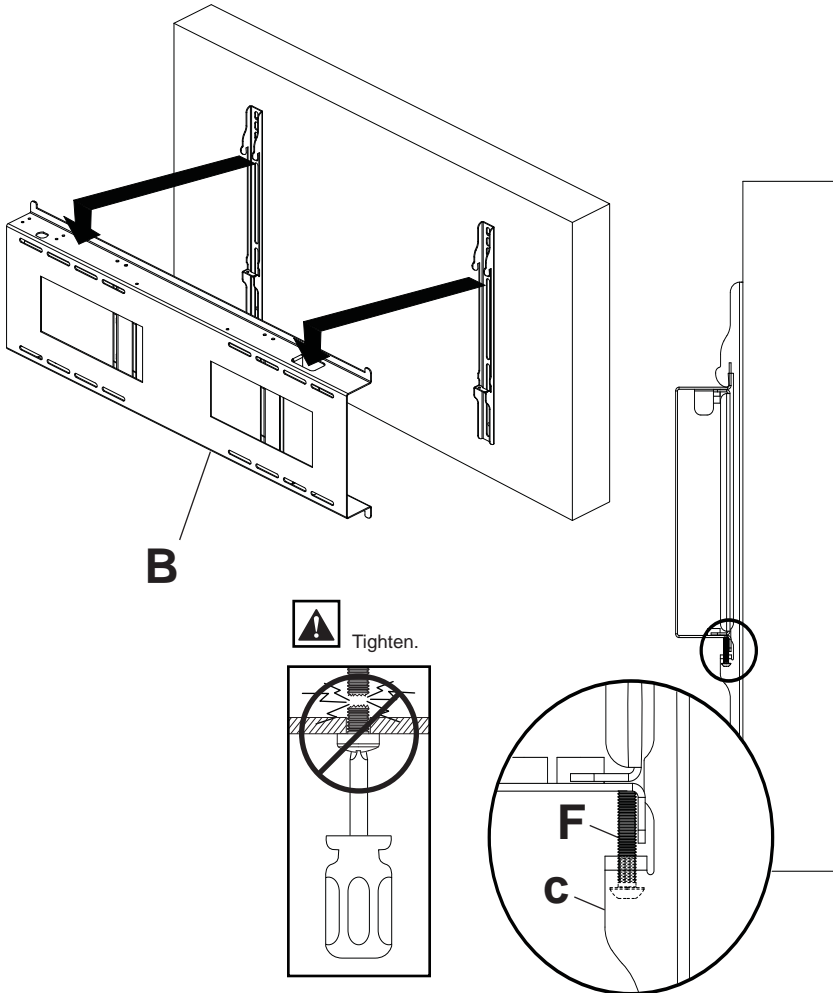
Use security adapter bracket fasteners

SPACERS USED FOR
BUMP OUT DISPLAYS

Hook adapter brackets onto wall plate. Slowly swing screen into position. Tighten M5 x 25 mm socket pin serrated washer head screws to prevent screen from being removed. Screen can be adjusted horizontally if desired.

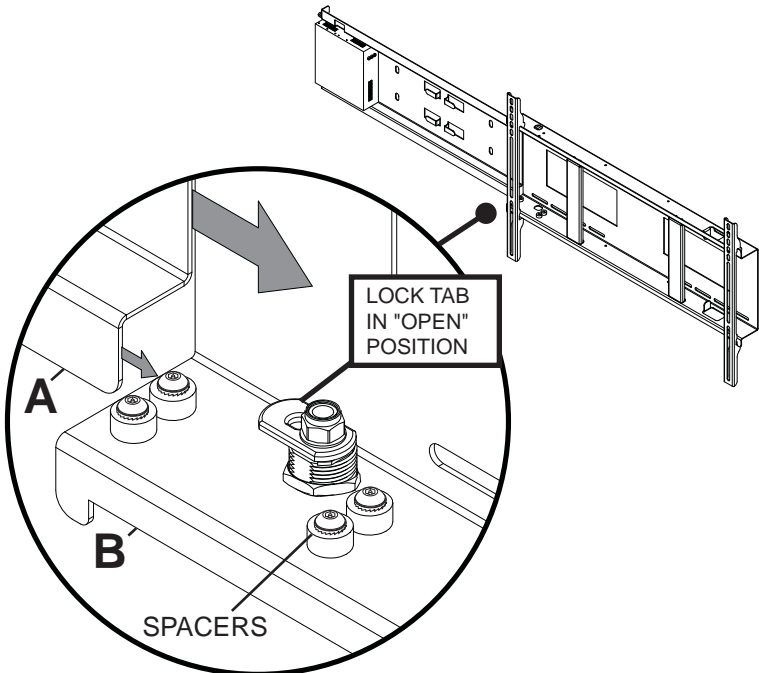
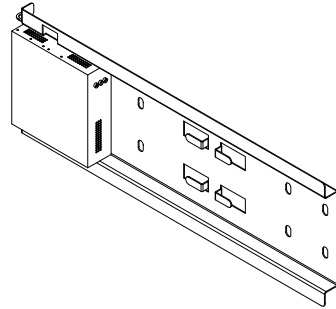
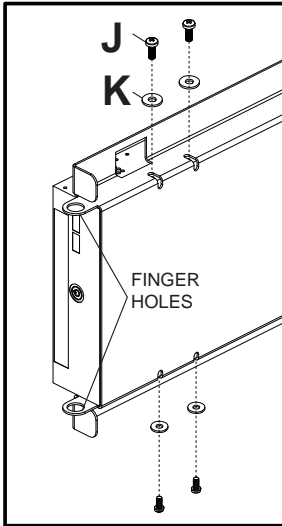
NOTE: To lock the screen down, fully tighten M5 x 25 mm socket pin serrated washer head screws to wall plate as shown in cross section.

To remove screen from mount, loosen M5 x 25 mm socket pin serrated washer head screws and swing screen away from mount to lift screen off of mount.



Secure media box to slide out bracket. Position slide out plate into wall plate making the edge is inside spacers. Slide plate in until it is stopped by stop tab (see step 1).

Note: Be sure to keep key in a safe place, as you will not be able to remove the media box without it.



LIMITED FIVE-YEAR WARRANTY

Peerless Industries, Inc. ("Peerless") warrants to original end-users of Peerless® products will be free from defects in material and workmanship, under normal use, for a period of five years from the date of purchase by the original end-user (but in no case longer than six years after the date of the product's manufacture). At its option, Peerless will repair or replace, or refund the purchase price of, any product which fails to conform with this warranty.

In no event shall the duration of any implied warranty of merchantability or fitness for a particular purpose be longer than the period of the applicable express warranty set forth above. Some states do not allow limitations on how long a implied warranty lasts, so the above limitation may not apply to you.

This warranty does not cover damage caused by (a) service or repairs by the customer or a person who is not authorized for such service or repairs by Peerless, (b) the failure to utilize proper packing when returning the product, (c) incorrect installation or the failure to follow Peerless' instructions or warnings when installing, using or storing the product, or (d) misuse or accident, in transit or otherwise, including in cases of third party actions and force majeure.

In no event shall Peerless be liable for incidental or consequential damages or damages arising from the theft of any product, whether or not secured by a security device which may be included with the Peerless® product. Some states do not allow the exclusion or limitation of incidental or consequential damages, so the above limitation or exclusion may not apply to you.

This warranty is in lieu of all other warranties, expressed or implied, and is the sole remedy with respect to product defects. No dealer, distributor, installer or other person is authorized to modify or extend this Limited Warranty or impose any obligation on Peerless in connection with the sale of any Peerless® product.

This warranty gives specific legal rights, and you may also have other rights which vary from state to state.

The logo for Peerless-AV features the word "peerless" in a bold, lowercase, red sans-serif font. To its right, the letters "AV" are enclosed in a red outline of a triangle, with a registered trademark symbol (®) to the upper right of the triangle.

Peerless-AV
2300 White Oak Circle
Aurora, IL 60502
Email: tech@peerlessmounts.com
Ph: (800) 865-2112
Fax: (800) 359-6500
www.peerless-av.com

Peerless-AV Europe
Unit 3 Watford Interchange,
Colonial Way, Watford, Herts,
WD24 4WP, United Kingdom
Customer Care
44 (0) 1923 200 100
www.peerless-av.com

Peerless-AV de Mexico
Ave de las Industrias 413
Parque Industrial Escobedo
Escobedo N.L Mexico 66050
Servicio al Cliente
01-800-849-65-77
www.peerless-av.com