

# Installation and Assembly - Radial Cube Speaker Mount

Peerless Industries, Inc. For customer service call:  
 3215 W. North Avenue 1-800-865-2112  
 Melrose Park, IL 60160 Visit the Peerless web site at:  
 www.peerlessmounts.com

**Note:** Read entire instruction sheet before you start assembly and installation.

**Model:**  
**SPK815**

## ⚠ WARNING

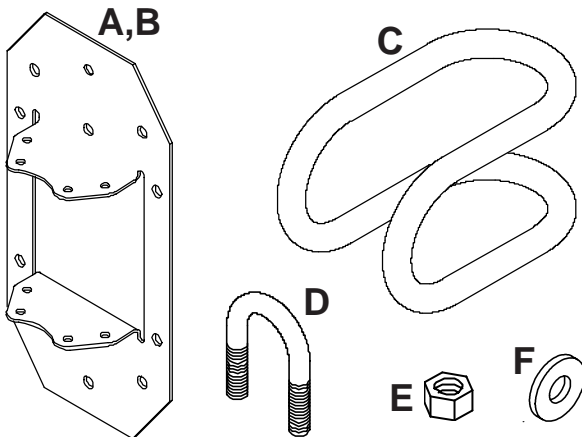
- Speaker weight shall not exceed 75 lb (34 kg).

## Parts List

Before you start make sure all parts listed are included with your product.

PART#	QTY.	DESCRIPTION
A 087-1038	1	black mounting plate
B 087-2038	1	white mounting plate
C 6100-172	1	tubing
D 520-9242	8	U-bolt
E 530-9302	16	hex nut
F 540-9402	16	split washer

**Note:** Some parts may appear slightly different than illustrated.



**1**

Mounting plates (A & B) come in two colors - white and black. Mount plates according to the color configuration of speakers / wall.

**Note:** Fasteners for attaching mounting plates to wall and speaker are NOT included. It is the installers responsibility to securely attach plates to wall and speaker using appropriate fasteners.

Vertically mount plate (A or B) to wallstud.  
 (If possible use a stud finder to locate stud.)

Horizontally mount plate (A or B) to speaker.

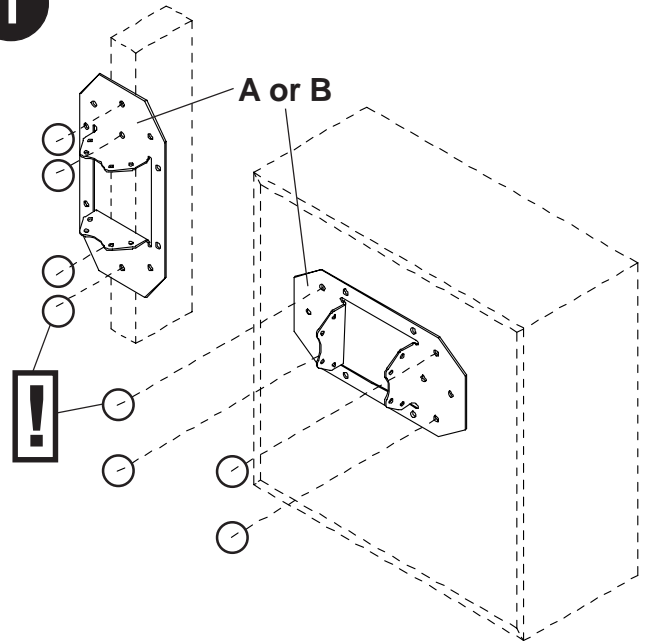
**2**

Attach tubing (C) to plate on wall using four U-bolts (D) eight hex nuts (E) and eight washers (F) as shown. **Hand tighten hex nuts (E).** Leave hex nuts (E) loose until speaker has been mounted and proper aimed.

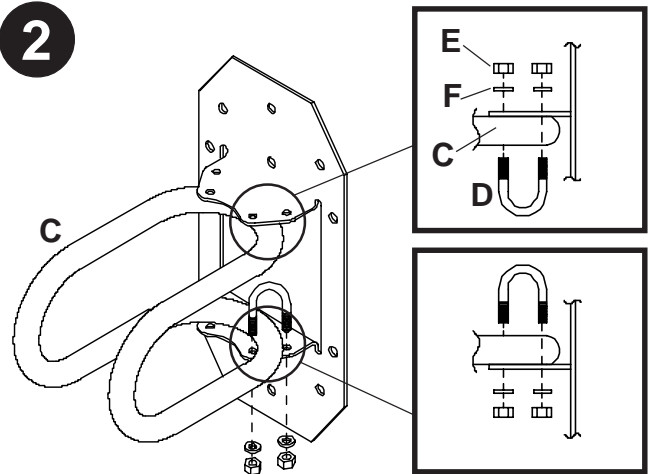
**3**

Attach speaker/plate assembly to tubing (C) using remaining U-bolts (D), hex nuts (E) and washers (F). **Hand tighten hex nuts (E).** Adjust speaker position. Once speaker is properly positioned, securely tighten **all** hex nuts (E).

**1**



**2**



**3**

