

## WPNET series

### WPNET4KV – WPNET8K -WPNETEX

REMOTE CONTROLERS AND INTERFACES

*Digital wall control*



# USER MANUAL

# INDEX

<b>1. IMPORTANT REMARK .....</b>	<b>4</b>
<b>2. IMPORTANT SAFETY INSTRUCTIONS .....</b>	<b>4</b>
<b>3. IMPORTANT NOTE .....</b>	<b>6</b>
<b>4. INTRODUCTION .....</b>	<b>7</b>
4.1. Main features .....	7
<b>5. INSTALLATION .....</b>	<b>8</b>
5.1. Installation of a single WPNET4KV, WPNET8K or WPNETEX unit, on surface or flush: .....	8
5.2. Installation of a pair of adjacent WPNET4KV and WPNET8K panels, on surface or flush: .....	8
5.3. Installing an External Power Supply.....	9
<b>6. UNIT MANAGEMENT in standard or individual mode .....</b>	<b>10</b>
6.1 Unit WPNET4KV management .....	10
6.2 Unit WPNET8K management .....	14
6.3 Unit WPNET12KV management.....	17
6.4 Unit WPNETEX management.....	18
6.4.1 Preset selection .....	20
6.4.2. Selecting Sources .....	22
6.4.3. Equalization settings.....	24
6.4.4. Volume setting / MUTE .....	25
6.5 Units WPNET4KV or WPNET12KV operation in MULTI MODE .....	26
<b>7. NOTES:.....</b>	<b>32</b>

<b>8. FRONT PANEL .....</b>	<b>32</b>
8.1. WPNET4K / EX .....	32
8.1. WPNET8K .....	32
<b>9. REAR PANEL .....</b>	<b>33</b>
<b>10. BLOCK DIAGRAM.....</b>	<b>34</b>
10.1. WPNET4KV / EX.....	34
10.2. WPNET8K.....	34
<b>11. TECHNICAL FEATURES.....</b>	<b>35</b>
11.1. WPNET4KV / EX.....	35
11.2. WPNET8K.....	35
<b>12. ASSEMBLY DIAGRAM.....</b>	<b>36</b>
12.1. WPNET4KV.....	36
12.2. WPNET8K.....	37
12.3. WPNETEX.....	38
<b>13. PACKAGE CONTENTS .....</b>	<b>39</b>

## 1. IMPORTANT REMARK




WARNING: SHOCK HAZARD - DO NOT OPEN  
AVIS: RISQUE DE CHOC ÉLECTRIQUE - NE PAS OUVRIR



The lightning flash with arrowhead symbol, within an equilateral triangle, is intended to alert the user to the presence of uninsulated “dangerous voltage” within the product’s enclosure that may be of sufficient magnitude to constitute a risk of electric shock to persons.



The exclamation point within an equilateral triangle is intended to alert the user to the presence of important operating and maintenance (servicing) instructions in the literature accompanying the appliance.

**WARNING (If applicable):** The terminals marked with symbol of “” may be of sufficient magnitude to constitute a risk of electric shock. The external wiring connected to the terminals requires installation by an instructed person or the use of ready-made leads or cords.

**WARNING:** To prevent fire or shock hazard, do not expose this equipment to rain or moisture.

**WARNING:** An apparatus with Class I construction shall be connected to a mains socket-outlet with a protective earthing connection.

## 2. IMPORTANT SAFETY INSTRUCTIONS

1. Read these instructions.
2. Keep these instructions.
3. Heed all warnings.
4. Follow all instructions.
5. Do not use this apparatus near water.
6. Clean only with dry cloth.
7. Do not block any ventilation openings. Install in accordance with the manufacturer’s instructions.

8. Do not install near any heat sources such as radiators, heat registers, stoves, or other apparatus (including amplifiers) that produce heat.
9. Do not defeat the safety purpose of the polarized or grounding type plug. A polarized plug has two blades with one wider than the other. A grounding type plug has two blades and a third grounding prong. The wide blade or the third prong are provided for your safety. If the provided plug does not fit into your outlet, consult an electrician for replacement of the obsolete outlet.
10. Protect the power cord from being walked on or pinched particularly at the plugs, convenience receptacles, and at the point where they exit from the apparatus.
11. Only use attachments/accessories specified by the manufacturer.
12. Unplug the apparatus during lightening sorts or when unused for long periods of time.
13. Refer all servicing to qualified personnel. Servicing is required when the apparatus has been damaged in any way, such as power supply cord or plug is damaged, liquid has been spilled or objects have fallen into the apparatus, the apparatus has been exposed to rain or moisture, does not operate normally, or has been dropped.
14. Disconnecting from mains: Switching off the POWER switch all the functions and light indicators of the amplifier will be stopped, but fully disconnecting the device from mains is done unplugging the power cord from the mains input socket. For this reason, it always shall remain readily operable.
15. Equipment is connected to a socket-outlet with earthing connection by means of a power cord.
16. The marking information is located at the bottom of apparatus.
17. The apparatus shall not be exposed to dripping or splashing and that no objects filled with liquids, such as vases, shall be placed on apparatus.

**NOTE:** This equipment has been tested and found to comply with the limits for a Class A digital device, pursuant to part 15 of the FCC Rules. These limits are designed to provide reasonable protection against harmful interference when the equipment is operated in a commercial environment. This equipment generates, uses, and can radiate radio frequency energy and, if not installed and used in accordance with the instruction manual, may cause harmful interference to radio communications. Operation of this equipment in a residential area is likely to cause harmful interference in which case the user will be required to correct the interference at his own expense.



**WARNING:** This product must not be discarded, under any circumstance, as unsorted urban waste. Take to the nearest electrical and electronic waste treatment centre.

**NEEC AUDIO BARCELONA, S.L.** accepts no liability for any damage that may be caused to people, animal or objects due to failure to comply with the warnings above.

### 3. IMPORTANT NOTE

Thank you for choosing our **digital wall control WPNET series**.

It is **VERY IMPORTANT** to carefully read this manual and to fully understand its contents before any connection in order to maximize your use and get the best performance from this equipment.

To ensure optimal operation of this device, we strongly recommend that its maintenance be carried out by our authorised Technical Services.

**Ecler WPNET series** of digital controllers have a warranty of **3 years**.

The schemes and diagrams shown in the manual correspond to the models compatible with round installation box, available from products with serial numbers higher than those specified below. (\*):

Model	Serial number
WPNET4KV	266010001
WPNET8K	266020001
WPNETEX	266030001

(\* **Note:** The operation and characteristics of the WPNET panels compatible with a round case are identical to those existing in their previous versions, and which were compatible only with square boxes.

## 4. INTRODUCTION

WPNET4KV, WPNET8K and WPNETEX are digital wall controls, MIMO4040DN compatible, configurable through the EclerNet Manager application (\*).

They allow remote control functions over MIMO4040DN, such as audio source selection, volume adjustment, preset selection, etc.

(\*) Refer to the EclerNet Manager Application manual for more information. The EclerNet Manager application is available for download at [www.ecler.com](http://www.ecler.com).

### 4.1. Main features

- Single European electrical box format, compatible with flush and surface installation (surface box supplied as standard)
- Compatible with circular base installation box, with diameter  $\geq 60$  mm, from products with serial number equal to or greater than those specified in the previous chapter
- Power over Ethernet (PoE) or optional external power supply, WP24-PSU model
- Ethernet communication interface, RJ45 connector
- 128x128 pixels LCD display
- Digital rotary control (encoder) + 4 programmable keys: 4KV and EX models
- 8 programmable keys: model 8K
- MIMO4040DN matrix remote control functions: audio source selection, preset selection, volume / MUTE adjustment, equalization settings, etc. (depending on models, refer to this manual and the EclerNet Manager application manual)

## 5. INSTALLATION

The installation of the WPNET4KV, WPNET8K or WPNETEX units comprises the following steps, depending on the desired type of installation.

### 5.1. Installation of a single WPNET4KV, WPNET8K or WPNETEX unit, on surface or flush:

1. Remove the trim frame and front panel cover, held in place by magnets. You can use the magnet provided as a tool, by making contact in the upper right corner of the cover and gently pulling on it.
2. Connect the RJ-45 connector on the CAT5 or higher cable that will connect the unit to the local installation network. If necessary - see note below - connect external power.
3. Screw the device to the surface box or flush box.
4. Replace the frame and front panel and secure the rotary encoder knob.

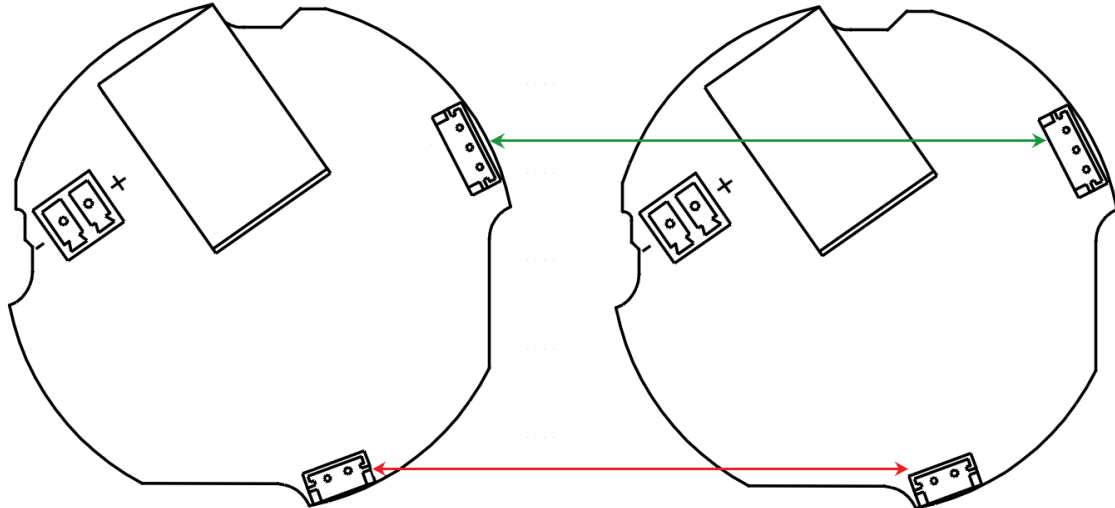
**Note:** It is possible to use an adjacent pair of panels, consisting of a 4KV unit and an 8K unit, becoming a new single panel of greater dimensions and number of available controls for programming purposes and remote control possibilities, model **WPNET12KV**. A double WPa2FMBOX box is required to flush both devices together, or a double WPa2SMBOX box for surface mounting. Both, the WPa2FMBOX and WPa2SMBOX are sold separately.

### 5.2. Installation of a pair of adjacent WPNET4KV and WPNET8K panels, on surface or flush:

1. Remove frames and front panel covers from both devices (WPNET4KV and WPNET8K), held in place by magnets. You can use the magnet provided as a tool, by making contact in the upper right corner of the cover and gently pulling on it.
2. Interconnect with the two hoses (supplied as standard with the 8K unit) the following point to point connectors between the two devices:
  - J102 (3-wire hose)
  - J107 (2-wire hose)
3. Connect the RJ-45 connector of the CAT5 cable or higher that will connect the unit to the local network of the installation to the WPNET4KV unit, which will act as the master unit of the two panels. Do not connect another CAT5 cable to the WPNET8K unit. If necessary - see note below - connect external power supply.



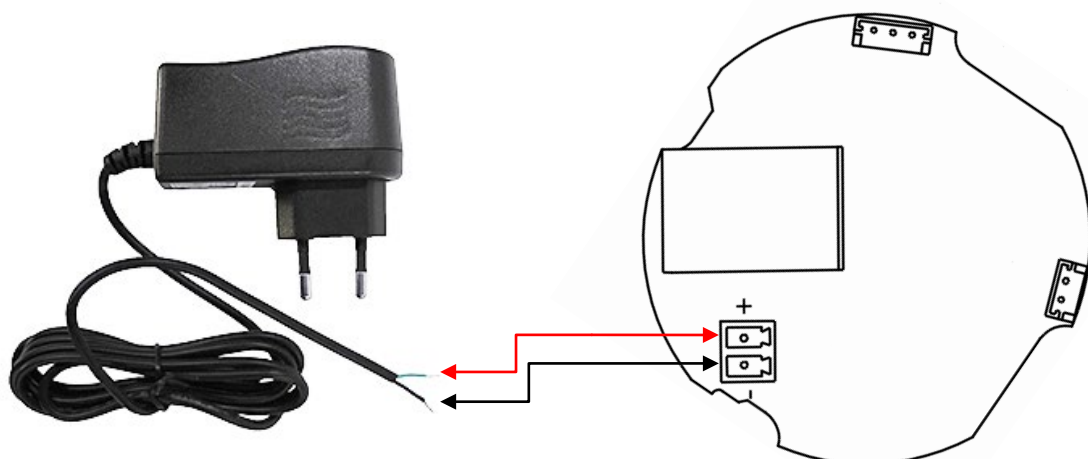
4. Screw the devices to the double surface box or flush box.
5. Mount the WPa2SMBOX or WPa2FMBOX double frame.
6. Replace the front panels and secure the knob of the rotary encoder..



WPNET4KV + WPNET8K connection diagram = WPNET12KV  
(rear view of printed circuit boards)

### 5.3. Installing an External Power Supply

In case of not having a PoE type power received in the control panel directly from the connection port of the network switch to which it is connected, it is possible to power the panel through an optional external power supply, model WP24-PSU:



External power supply connection (rear view of the printed circuit board)

**Note:** if the external power supply WP24-PSU is used, it will be necessary to cut the cable, since the connection to the panels is made by bare cable, as shown in the previous diagram.

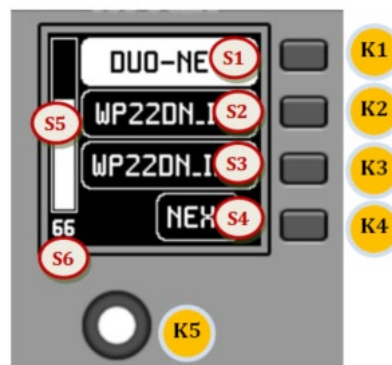
## 6. UNIT MANAGEMENT in standard or individual mode

### 6.1 Unit WPNET4KV management

**Note:** This section deals with the operation of a WPNET4KV unit in standard or individual mode, being able to take control of a zone of the installation. It is also possible to use it in “MULTI” mode, being able to take control of more than one zone. Please, refer to the section [Unit WPNET4KV or 12KV operation in MULTI MODE](#) for more information.

WPNET4KV has the following possible remote control functions on a MIMO4040DN unit, programmed from the EclerNet Manager application:

- Selecting sources or presets from a preset list in the EclerNet project
- Adjusting the volume of a preset signal in the EclerNet project
- MUTE ON/OFF of the same previous signal, preset in the EclerNet project



Front panel controls / on-screen information

In the previous image on the front panel, the available physical controls are:

- K1 to K4: keys directly associated with adjacent functions displayed on the screen
- K5: digital rotary control, or encoder, with rotary and pulsation functions

And the information fields shown on the screen are:

- S1 to S4: text fields 1 to 4
- S5: Adjusted volume indicator (signal level)
- S6: textual value of the adjusted volume (signal level)

Once the unit is connected to the network, powered (via PoE or optional external power supply) and correctly configured from the EclerNet Manager application, the main screen will display an image similar to the following:



Main screen, example

Text fields S1 to S3 show the first three options that can be selected using keys K1 to K3. Field S4 shows the text "NEXT", inviting you to press the K4 key to display more options suitable for selection. The total number of selectable options is defined by managing carousels of audio inputs (sound sources) or presets for each control panel, using the EclerNet Manager application.

If there are 4 or fewer selectable options, the screen will show them directly in fields S1 to S4, without adding the "NEXT" function as an option associated with the K4 key.

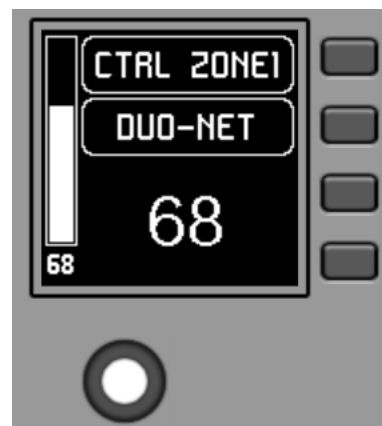
In the example above, which uses a carousel of audio sources as selectable options, we see the following information:

- S1, option 1 (currently selected = shown in negative): MIMO4040DN audio input labeled **DUO-NET**. Selectable (=actionable) by pressing the key K1
- S2, option 2: MIMO4040DN audio input labeled **FM TUNER**. Selectable by pressing the K2 key
- S3, option 3: MIMO4040DN audio input labeled **ePLAYER1**. Selectable by pressing the K3 key
- S4, option 4: Move to the next screen of valid options by pressing the K4 key.
- S5, Vu-meter showing the currently set volume of the audio signal the remote panel is pointing at (this signal can be an output, an input, a matrix crossover point, or sending the currently selected source to the destination output).
- S6, value of the currently set volume of the audio signal to which the remote panel is pointing or the "MUTE" symbol if the audio signal is muted.

The following picture shows the selected FM TUNER input, and another volume adjustment value in the Vu-meter, in this case the sending value of this input (sound source) to the destination output (83).



When acting on the K5 rotary control, aiming at modifying the volume to which it points, a different screen is temporarily shown, returning a few seconds to the previous or main screen. Example:



- S1: Name (label) assigned to the control panel, defined from the EclerNet Manager application. In the example "CTRL ZONE1".
- S2: option of the currently selected carousel. In the "DUO-NET" example
- S5, S6: volume value being adjusted by rotary control, displayed in real time, and matching the same numerical value displayed in larger characters in the lower middle section of the display (68 in the example above).

Pressing the rotary control activates the MUTE function, if enabled for triggering from the WPNET4KV unit:



If the volume control function is not enabled for the WPNET4KV unit, turning or pressing the rotary control will temporarily display such a screen, with the central flashing "--" symbols:



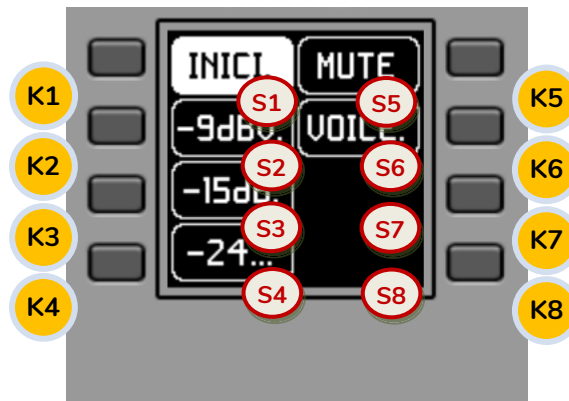
The long press (> 5 seconds) on the rotary control displays the configuration parameters of the unit: name, model, firmware version and Ethernet network connection parameters:



## 6.2 Unit WPNET8K management

WPNET8K has the following possible remote control functions on a MIMO4040DN unit, programmed from the EclerNet Manager application:

- Selecting sources or presets from a preset list in the EclerNet project



Front panel controls / on-screen information

In the previous image on the front panel, the available physical controls of this panel are:

- K1 to K8: keys directly associated with functions displayed on the screen

And the information fields on screen are:

- S1 to S8: text fields 1 to 8

Once the unit is connected to the network, powered (via PoE or optional external power supply) and correctly configured from the EclerNet Manager application, the main screen will display an image similar to the following:



Main screen, example

Text fields S1 to S7 show the first seven options that can be selected using keys K1 to K7. Field S8 shows the text "NEXT", inviting you to press the K8 key to display more options suitable for selection. The total number of selectable options is defined by managing carousels of audio inputs (sound sources) or presets for each control panel, using the EclerNet Manager application.

If there are 8 or fewer selectable options, the screen will show them directly in fields S1 to S8, without adding the "NEXT" function as an option associated with the K8 key.

In the example above, which uses a carousel of presets as selectable options, we see the following information:

- S1, option 1 (currently selected = shown in negative): Active preset, stored in the MIMO4040DN configuration and labelled **START**. The information on the screen in this case does not show all the characters of its label (name) in this general view, since sometimes they do not fit in the space reserved for the texts. In such cases, a dot is added to the end of the displayed text. Selectable (=actionable) by pressing the key K1
- S2 to S7, options 2 to 7: **presets** labelled “-9dBV”, “-15dBV”, “-24dBV”, “MUTE”, “VOICE”, “MEETING”. The information on the screen in some of these cases does not show all the characters of its label (name) in this general view, since sometimes they do not fit in the space reserved for the texts. In such cases, a dot is added to the end of the displayed text. Selectable (=actionable) by pressing the keys K1 to K7
- S8, option 8: Move to the next screen of valid options by pressing the K8 key.

By pressing one of the keys K1 to K7, the display will go on to show the extended text information, without making the relevant selection yet. The following example shows the display after pressing the K7 key once, indicating the extended S7 text information ("MEETING" instead of "MEETI."):



Pressing the same key a second time performs the selection action, showing in negative the new option (preset), already active (= preset activated):



In the previous example, pressing the K8 key activates the "NEXT" option, displaying the following screen of available options:



The long press (> 5 seconds) of any key, K1 to K8, shows the configuration parameters of the unit: name, model, firmware version and Ethernet network connection parameters:

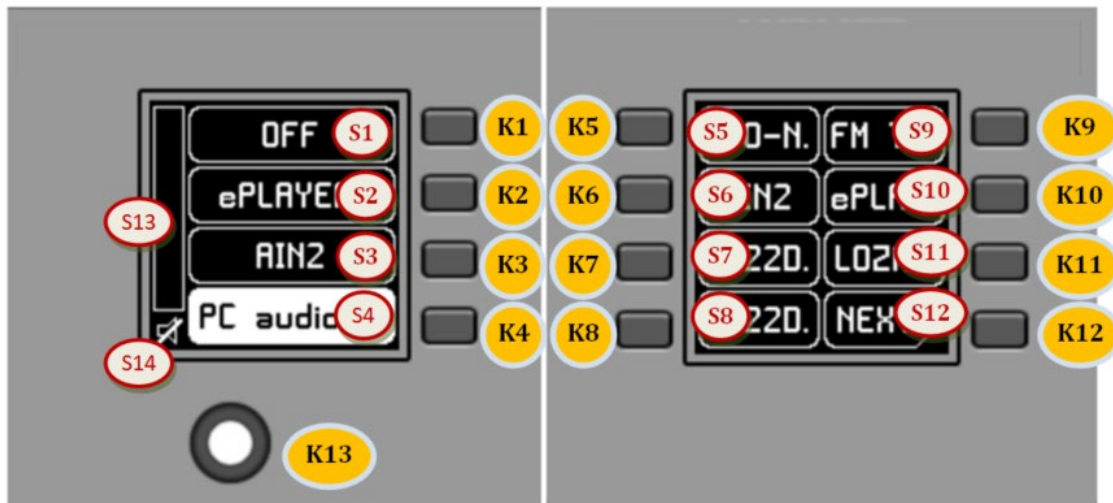




### 6.3 Unit WPNET12KV management

It is possible to use an adjacent pair of panels, consisting of a WPNET4KV unit and an WPNET8K unit, **becoming a new single panel of greater dimensions and number of available controls for programming purposes and remote control possibilities, model WPNET12KV.**

Refer to the chapter Installation of a pair of adjacent WPNET4KV and WPNET8K panels, on surface or flush: for more information on assembling such a pair.



Front panel controls / on-screen information

The resulting panel, model WPNET12KV, has the rough appearance of the previous image.

WPNET12KV has the following possible remote control functions on a MIMO4040DN unit, programmed from the EclerNet Manager application:

- Selecting sources or presets from a preset list in the EclerNet project
- Adjusting the volume of a preset signal in the EclerNet project
- MUTE ON/OFF of the same previous signal, preset in the EclerNet project

In the previous image on the front panel, the available physical controls are:

- K1 to K12: keys directly associated with adjacent functions displayed on the screen
- K13: digital rotary control, or encoder, with rotary and pulsation functions

And the information fields shown on the screen are:

- S1 to S12: text fields 1 to 12
- S13: Adjusted volume indicator (signal level)
- S14: textual value of the adjusted volume (signal level)

The possibilities of control and operation of the unit are identical to those described in the section **Unit WPNET4KV management** for the WPNET4KV model, in this case extending the direct selection keys and the selection options shown on the screen from 4 to 12.

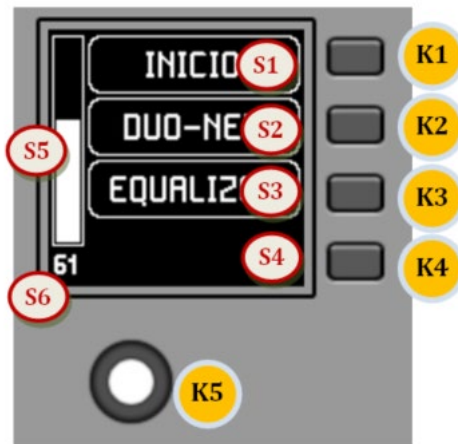
#### 6.4 Unit WPNETEX management

WPNETEX, or WPNET "EXTENDED", is the model of the range of WPNET panels with the greatest possibility of control functions, some of them recommended for an advanced system user profile. All the possible remote control functions on a MIMO4040DN unit can be enabled or not for simultaneous use from the same WPNETEX unit, and programmed from the EclerNet Manager application:

- Selecting presets from a preset list in the EclerNet project
- Selecting sound sources from a preset list in the EclerNet project
- Adjusting the volume of a preset signal in the EclerNet project
- MUTE ON/OFF of the same previous signal, preset in the EclerNet project
- Tone control (equalizer) of up to three bands, or EQ filters 1 to 3 of an output (mono or stereo) of a MIMO4040DN unit, pre-configured in the EclerNet project

As it offers more control functions of different types, **the operation of this unit is not based on the activation of immediate selection options by directly pressing the keys assigned to them**, but on menus, which are accessible from these keys, and within which the selection is made by turning the rotary control and pressing to confirm the selection.

The text information shown corresponds to the functions enabled in the programming of the WPNETEX unit carried out in the EclerNet project. If, for example, the preset selection function is not enabled, this option will not appear as an available menu. Or if you enable a 2 cutoff tone control, only these - and not the 3 that exist at most - will appear as adjustable when accessing the equalization menu.



Front panel controls / on-screen information

In the previous image on the front panel, the available physical controls are:

- K1 to K4: keys associated with menu selection / adjacent option S1 to S4 displayed on screen
- K5: digital rotary control, or encoder, with rotary and pulsation functions

And the information fields shown on the screen are:

- S1 to S4: text fields 1 to 4
- S5: Adjusted volume indicator (signal level)
- S6: textual value of the adjusted volume (signal level)

Once the unit is connected to the network, powered (via PoE or optional external power supply) and correctly configured from the EclerNet Manager application, the main screen will display an image similar to the following:



Main screen, example

- S1: Preset active, in the previous example "START". Preset selection menu accessible via K1
- S2: selected sound source, in the previous example "DUO-NET". Source selection menu accessible via K2
- S3: text to access the equalisation menu, via K3

#### 6.4.1 Preset selection

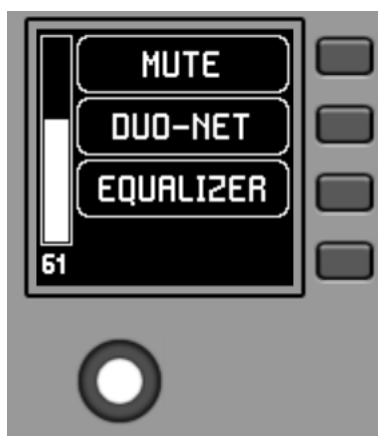
The text field S1 shows the active preset, in the example above the preset labeled "START" on the MIMO4040DN unit. Pressing the K1 key takes you to the preset selection menu:



In this menu, S3 displays the active preset, while S2 flashes the options of the assigned carousel of available presets as you navigate through the K5 turn:



Pressing K5 confirms the loading action of the preset shown in the previous screen, in the following example the preset "MUTE", returning to the main screen with the information of the new active preset updated in S1:



A new press of K1 would give access to the preset selection menu with this new look (active preset = "MUTE"):

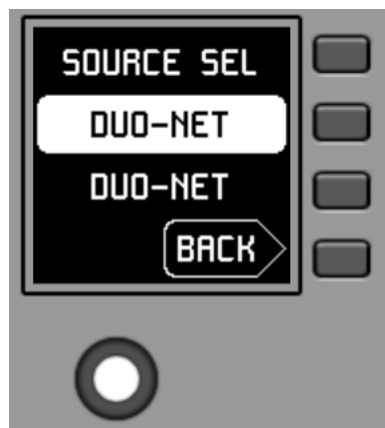


### 6.4.2. Selecting Sources

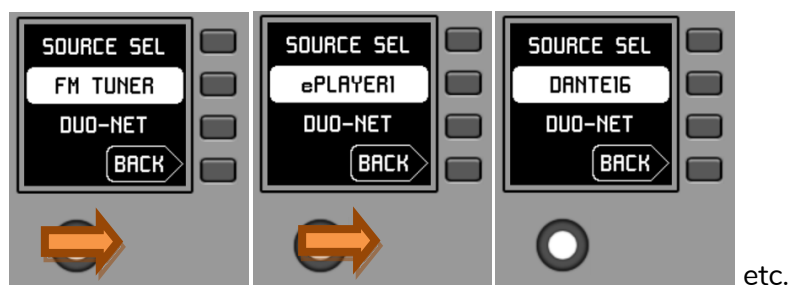
The text field S2 shows the active preset, in the example above the preset labeled "DUO-NET" on the MIMO4040DN unit:



From the main screen, pressing the K2 key accesses the source selection menu:



In this menu, S3 shows the selected source, while S2 flashes the options of the assigned carousel of available sources, as you navigate by turning K5:



Pressing K5 confirms the source selection action shown in the previous screen, in the following example the source "DANTE16", returning to the main screen with the information of the new selected source updated in S1:

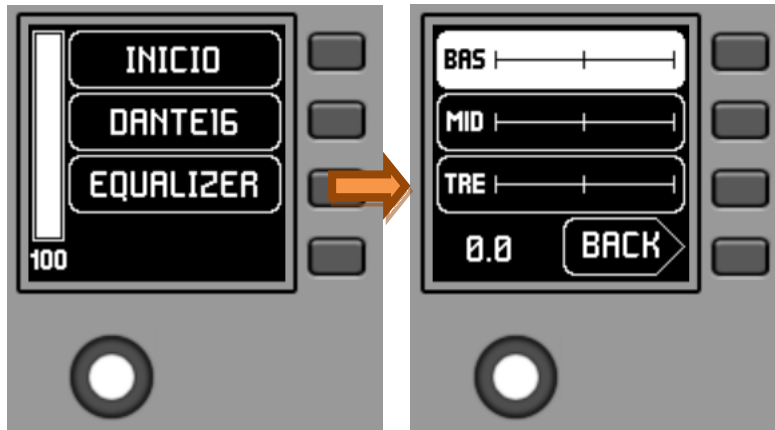


A new press of K2 would give access to the font selection menu with this new aspect (selected font = "DANTE16"):



### 6.4.3. Equalization settings

On the main screen, text field S3 shows the text accessing the equalization menu. Pressing K3 gives access to this menu:



This new screen shows the equalization filters available for adjustment, with the names defined in the EclerNet project (3-character names, in the previous example BAS (BASS), MI (MID) and TRE (TREBLE)). Pressing keys K1 to K3 selects one of them, so that the rotation of K5 allows its gain adjustment (enhancement or attenuation). Example for the MID filter after pressing K2 and rotating K5:



Changes to these settings are in real time and do not require K5 to be pressed or any other action to confirm. However, a long press of K5 (>3 seconds) within this menu resets the EQ filters to 0 (flat equalization).

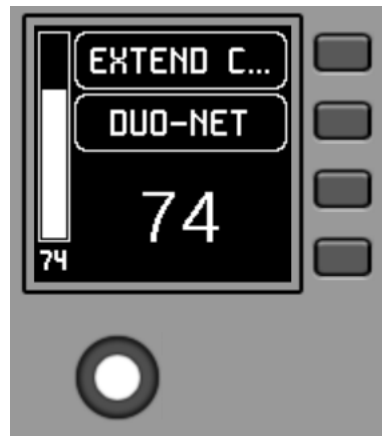
Pressing K4 forces the output from this menu to the main screen.



#### 6.4.4. Volume setting / MUTE

Like any other panel in the WPNET series, the volume control options, if enabled, operate from the main display by turning K5 (volume adjustment) and/or pressing K5 (MUTE control).

When acting on the rotary control K5, with the objective of modifying the volume to which the unit points, a different screen is temporarily shown, returning a few seconds to the previous or main screen. Example:



- S1: Name (label) assigned to the control panel, defined from the EclerNet Manager application. In the example "EXTENDED C..." (EXTENDED CONTROL)
- S2: option of the currently selected source carousel. In the "DUO-NET" example
- S5, S6: volume value being adjusted by rotary control, displayed in real time, and matching the same numerical value displayed in larger characters in the lower middle section of the display (74 in the example above).

Pressing the rotary control activates the MUTE function, if enabled for triggering from the WPNETEX unit:



If the volume control function is not enabled for the WPNETEX unit, turning or pressing the rotary control will temporarily display such a screen, with the central flashing “- -” symbols:



The long press (> 5 seconds) on the rotary control displays the configuration parameters of the unit: name, model, firmware version and Ethernet network connection parameters:

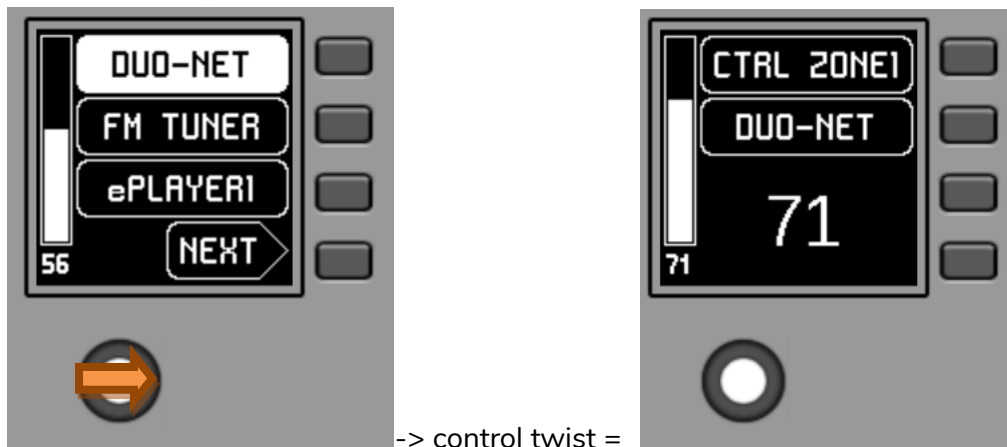


### 6.5 Units WPNET4KV or WPNET12KV operation in MULTI MODE

From EclerNet Manager it is possible to include in a project panels such as WPNET4KV and/or WPNET12KV the "MULTI" type. This type of panels are associated to a hardware unit WPNET4KV or WPNET12KV, respectively, which are programmed to take the role of different individual panels WPNET4KV or WPNET12KV included in the project. These individual panels can, in turn, have a one-to-one link with real WPNET4KV or WPNET12KV hardware units, or exist in the project only virtually.

In this way, by taking on the role of different individual panels, each with its specific programming, it is possible from a single hardware panel to act on different zones of a MIMO4040DN unit (panels with source selectors) and/or even opt to select different sets of presets (panels with preset selectors).

A MULTI panel, once programmed, will show on the screen the information of the individual panel from which it is taking the role:

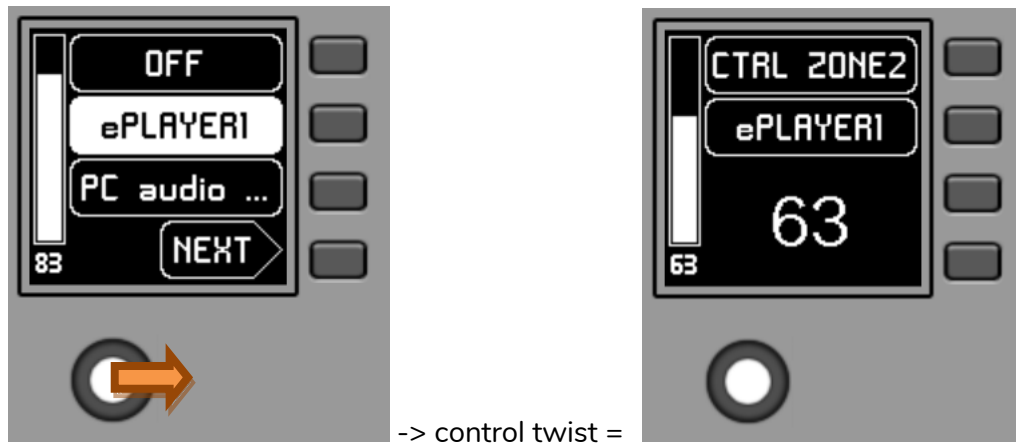


The image above shows how a control programmed as WPNET4KV MULTI is taking on the role of an individual WPNET4KV control called "CTRL ZONE1", so that it shows the carousel options and the rest of the carousel information.

A long press on the rotary control (>5 seconds) gives access to the role change menu of this MULTI type hardware panel:



In the previous example it can be seen that there are two possible individual panels as options for the MULTI panel to take its role: CTRL ZONE1 and CTRL ZONE2. By means of K1 and K2, in this case, it is possible to select one or the other. Example by selecting the individual panel CTRL ZONE2 (key K2):



It can be seen in this case that the selection carousel options and the rest of the information of the individual panel WPNET4KV "CTRL ZONE2" are different from those of the previous panel "CTRL ZONE1".

From the EclerNet Manager application it is possible to define:

- Number of individual panels included in a project
- Specific programming of each of the above, and link or not to real panels hardware
- Number of panels WPNET4KV and/or WPNET12KV type MULTI
- Programming of the same: selection, from the list of individual panels type WPNET4KV and WPNET12KV previously defined, of which of them will be part of the list of options to take their role.

Once the unit is connected to the network, powered (via PoE or optional external power supply) and correctly configured from the EclerNet Manager application, the main screen will display an image similar to the following:



Main screen, example

Text fields S1 to S3 show the first three options that can be selected using keys K1 to K3. Field S4 shows the text "NEXT", inviting you to press the K4 key to display more options suitable for selection. The total number of selectable options is defined by managing carousels of audio inputs (sound sources) or presets for each control panel, using the EclerNet Manager application.

If there are 4 or fewer selectable options, the screen will show them directly in fields S1 to S4, without adding the "NEXT" function as an option associated with the K4 key.

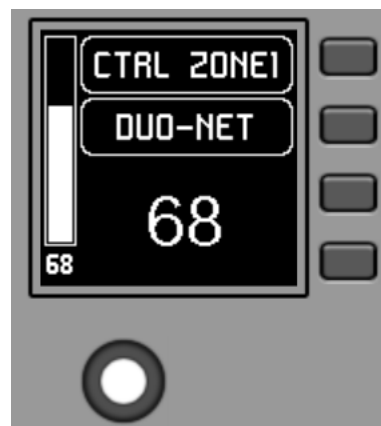
In the example above, which uses a carousel of audio sources as selectable options, we see the following information:

- S1, option 1 (currently selected = shown in negative): MIMO4040DN audio input labeled **DUO-NET**. Selectable (=actionable) by pressing the key K1
- S2, option 2: MIMO4040DN audio input labeled **FM TUNER**. Selectable by pressing the K2 key
- S3, option 3: MIMO4040DN audio input labeled **ePLAYER1**. Selectable by pressing the K3 key
- S4, option 4: Move to the next screen of valid options by pressing the K4 key.
- S5, Vu-meter showing the currently set volume of the audio signal the remote panel is pointing at (this signal can be an output, an input, a matrix crossover point, or sending the currently selected source to the destination output).
- S6, value of the currently set volume of the audio signal to which the remote panel is pointing, or the "MUTE" symbol if the audio signal is muted.

The following picture shows the selected FM TUNER input, and another volume adjustment value in the Vu-meter, in this case the sending value of this input (sound source) to the destination output (83).



When acting on the K5 rotary control, aiming at modifying the volume to which it points, a different screen is temporarily shown, returning a few seconds to the previous or main screen. Example:



- S1: Name (label) assigned to the control panel, defined from the EclerNet Manager application. In the example "CTRL ZONE1".
- S2: option of the currently selected carousel. In the "DUO-NET" example
- S5, S6: volume value being adjusted by rotary control, displayed in real time, and matching the same numerical value displayed in larger characters in the lower middle section of the display (68 in the example above).

Pressing the rotary control activates the MUTE function, if enabled for triggering from the WPNET4KV unit:



If the volume control function is not enabled for the WPNET4KV unit, turning or pressing the rotary control will temporarily display such a screen, with the central flashing "--" symbols:



The long press (> 5 seconds) on the rotary control displays the configuration parameters of the unit: name, model, firmware version and Ethernet network connection parameters:



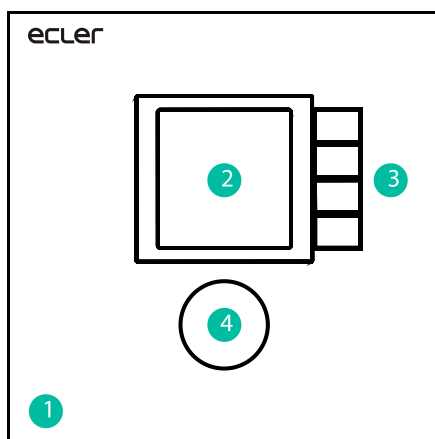
## 7. NOTES:

Check that all MIMO4040DN, WPNET, etc. units in a project are working with the latest firmware versions available.

At [www.ecler.com](http://www.ecler.com) an EclerNet software firmware package is always available, including the latest official versions of EclerNet Manager firmware and software.

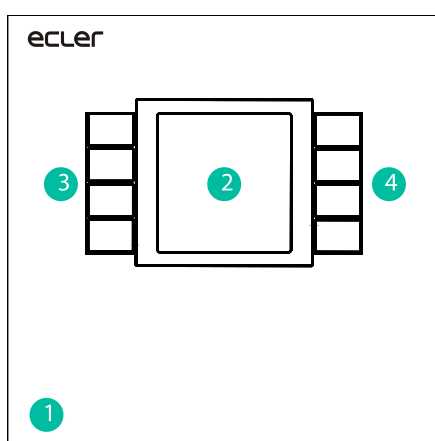
## 8. FRONT PANEL

### 8.1. WPNET4K / EX



1. Front panel cover
2. LCD screen
3. Selection keys (K1 to K4)
4. Rotary encoder (K5)

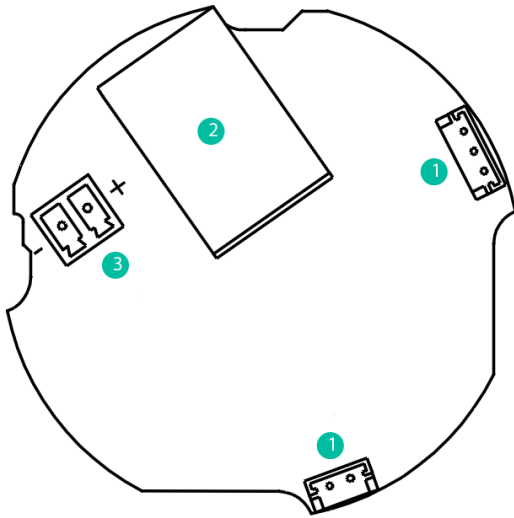
### 8.1. WPNET8K



1. Front panel cover
2. LCD screen
3. Selection keys (K1 to K4)
4. Selection keys (K5 to K8)



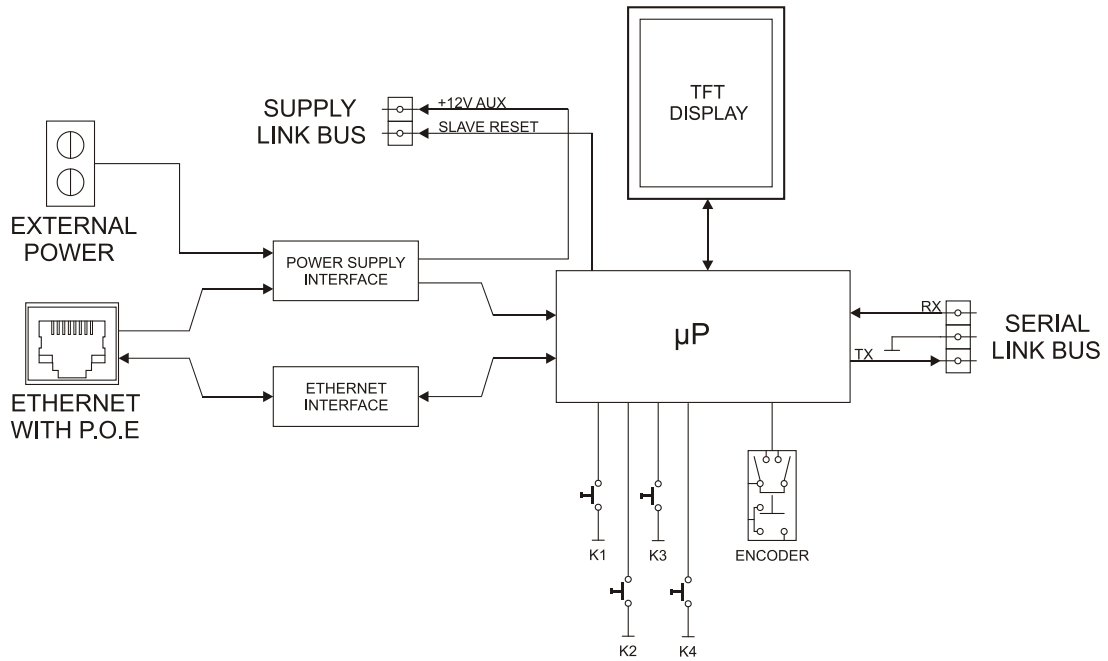
## 9. REAR PANEL



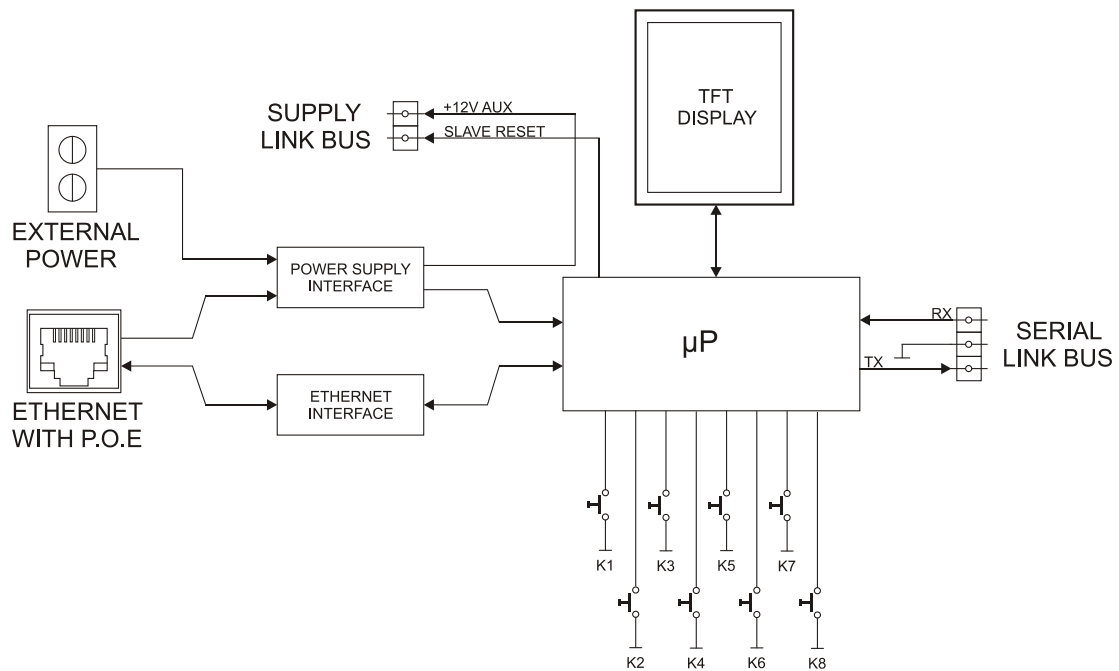
1. J102, J107: WPNET4KV and WPNET 8K panels interconnection connectors
2. J104: RJ-45 Connector
3. J106: External power 24VDC connector

## 10. BLOCK DIAGRAM

### 10.1. WPNET4KV / EX



### 10.2. WPNET8K



## 11. TECHNICAL FEATURES

### 11.1. WPNET4KV / EX

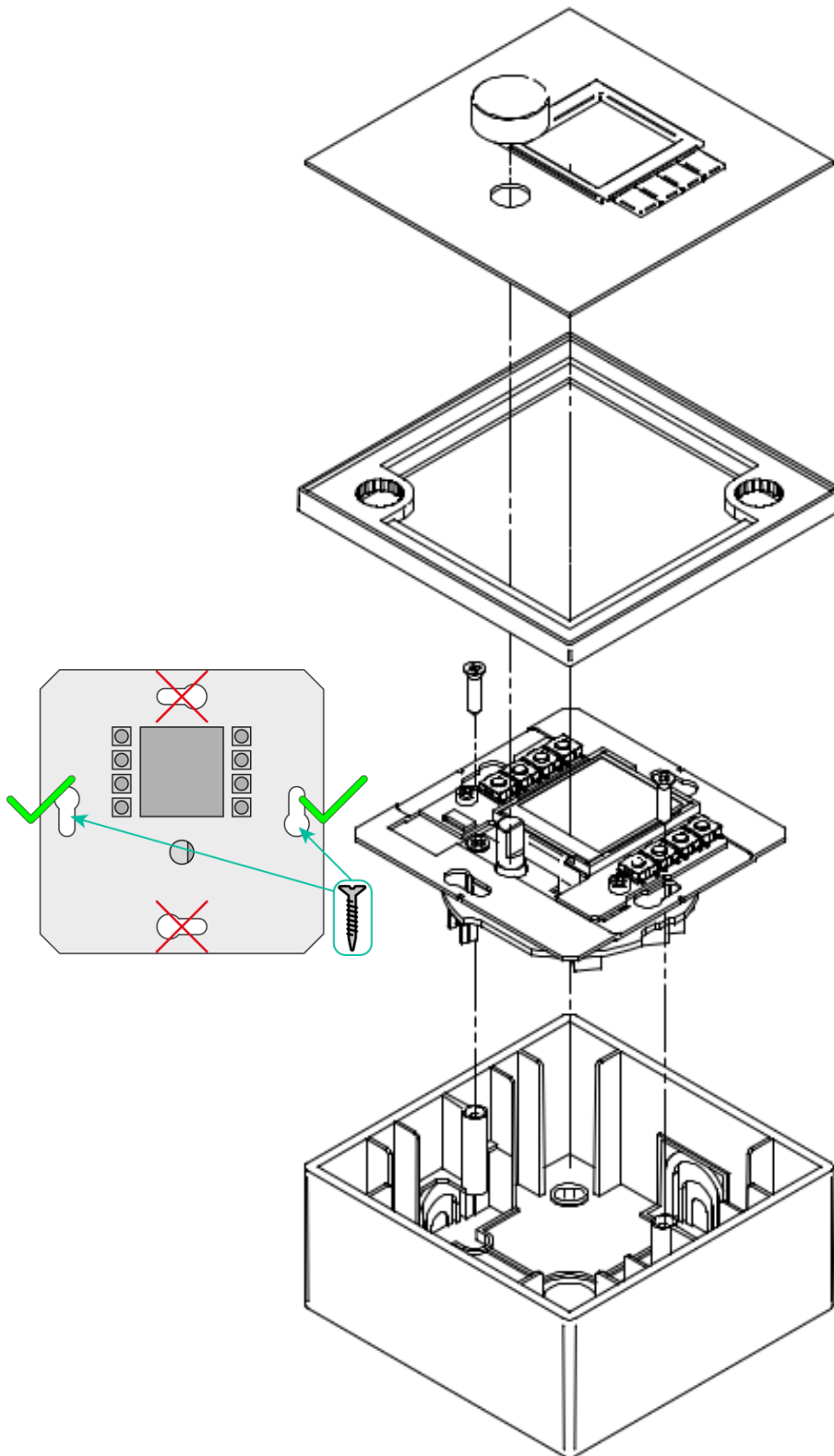
<b><u>DIGITAL CHARACTERISTICS:</u></b>	
Control keys	Encoder, 4 CONTROL keys
Indicators	LCD Display – 128x128 Pixels
Communication Standard	Ethernet
<b><u>SUPPLY CHARACTERISTICS:</u></b>	
Poe Power supply	PoE: class 0 802.3af Poe PD compliant
External Power supply	12 - 24VDC
Maximum Power Consumption	From PoE: 35mA / 1.6W From Ext Power: 1.5W
<b><u>MISCELLANEOUS:</u></b>	
Connector	RJ45 Remote port
Dimensions	W 86mm x D 30mm x H 86mm
Weight	120gr
Cable Quality	CAT-5e or better

### 11.2. WPNET8K

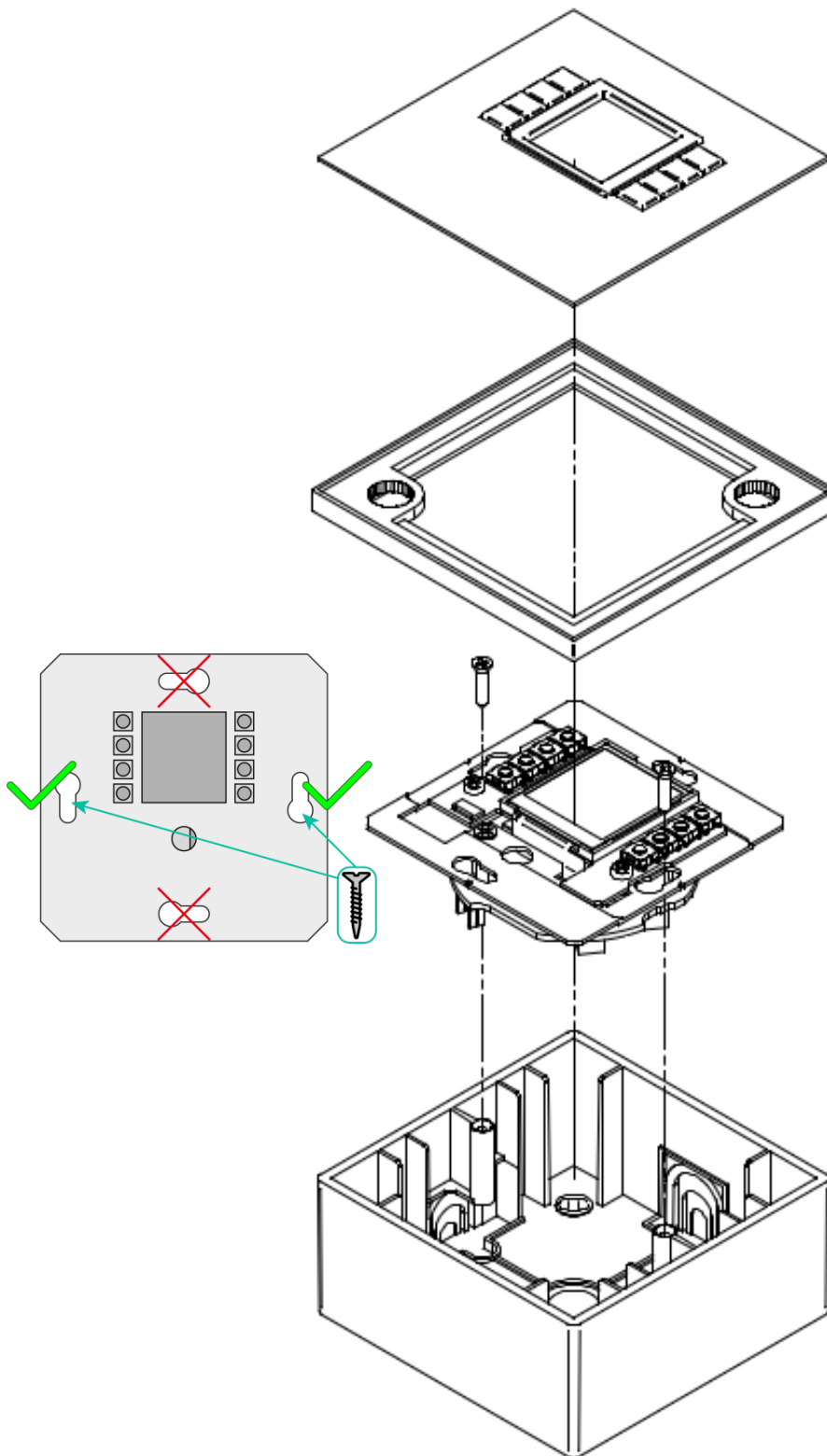
<b><u>DIGITAL CHARACTERISTICS:</u></b>	
Control keys	8 CONTROL keys
Indicators	LCD Display – 128x128 Pixels
Communication Standard	Ethernet
<b><u>SUPPLY CHARACTERISTICS:</u></b>	
Poe Power supply	PoE: class 0 802.3af Poe PD compliant
External Power supply	12 - 24VDC
Maximum Power Consumption	From PoE: 35mA / 1.6W From Ext Power: 1.5W (WP24-PSU power supply model)
<b><u>MISCELLANEOUS:</u></b>	
Connector	RJ45 Remote port
Dimensions	W 86mm x D 30mm x H 86mm Compatible with round electrical box (Ø≥60mm), starting from serial n° 266020001 products
Weight	120gr
Cable Quality	CAT-5e or better
Includes accessories	Two cables are included to connect to WPNET4KV and create WPNET12KV

## 12. ASSEMBLY DIAGRAM

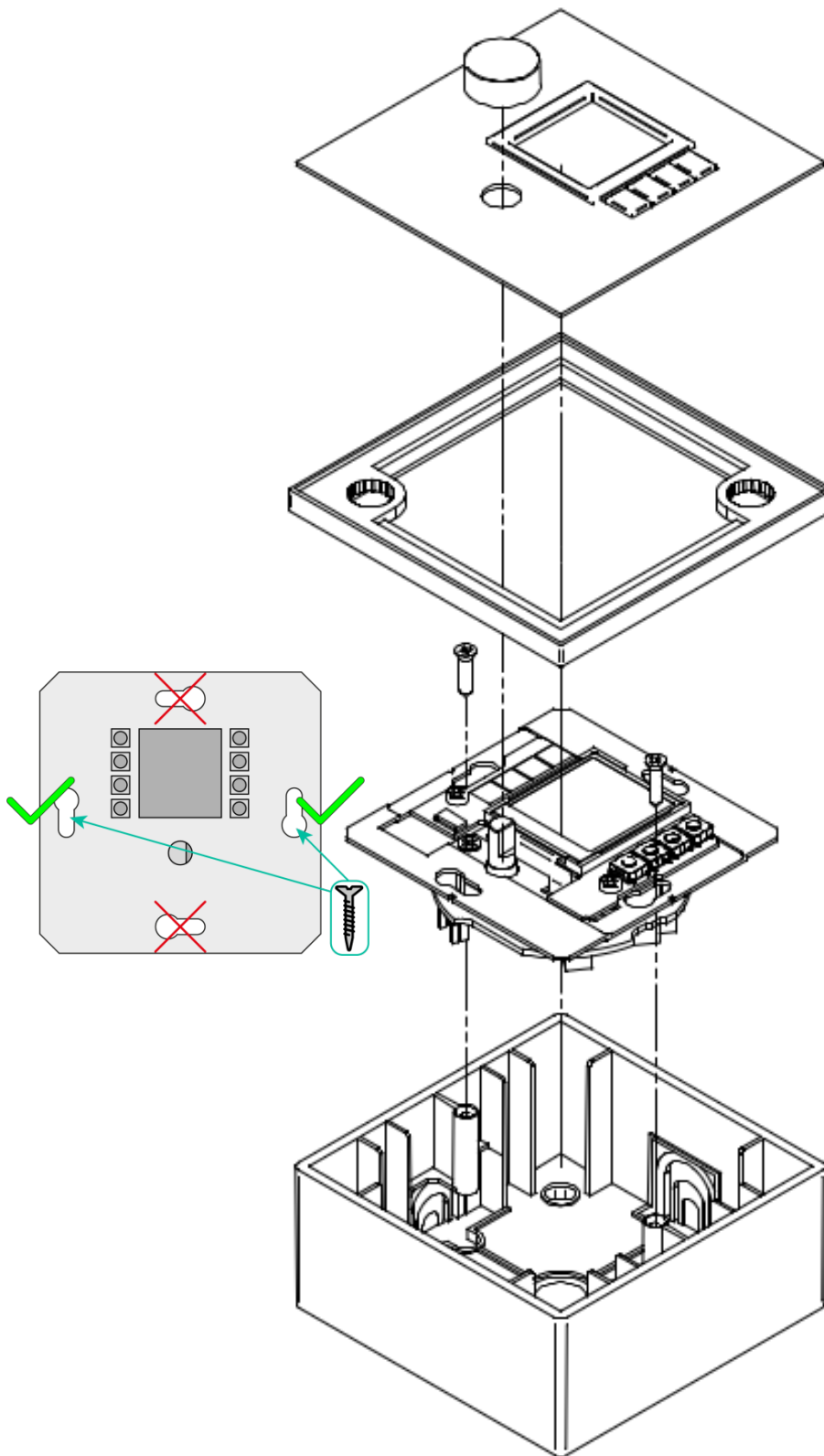
### 12.1. WPNET4KV



12.2. WPNET8K



### 12.3. WPNETEX



### 13. PACKAGE CONTENTS

- One WPNET4KV, WPNET8K or WPNETEX model unit
- Frame for mounting on single-mechanism systems
- Screws for fixing to surface or flush box
- Magnet for cover removal
- Surface box
- Quick User Guide
- Warranty Card

**Only in model WPNET8K:** Hoses for connection to WPNET4KV, converting

All product characteristics are subject to variation due to production tolerances. **NEEC AUDIO BARCELONA S.L.** reserves the right to make changes or improvements in the design or manufacturing that may affect these product specifications.

Motors, 166-168 08038 Barcelona - Spain - (+34) 932238403 | [information@ecler.com](mailto:information@ecler.com) | [www.ecler.com](http://www.ecler.com)