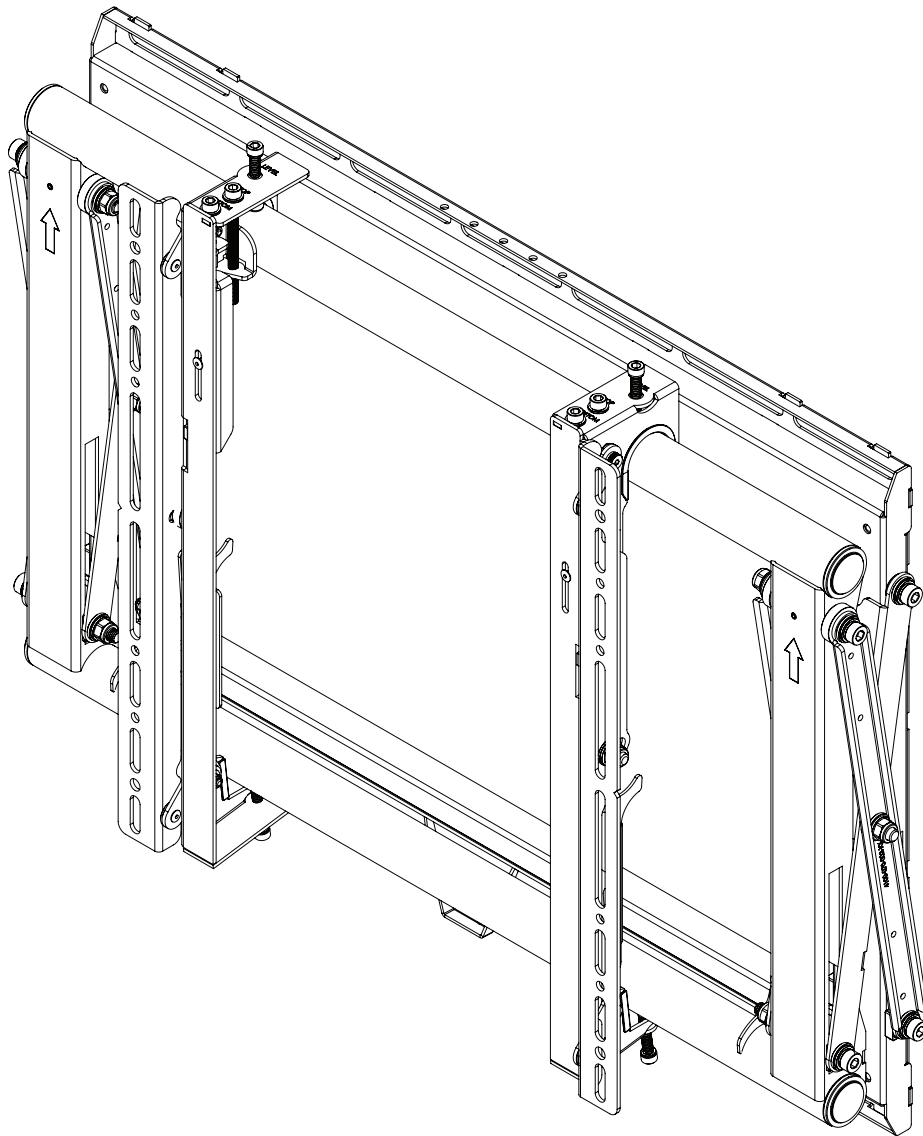


# PFW 6870

## Installation Guide

Installationsanleitung, Guía de Instalación, Guida de Installazione,  
Guide d'Installation, Installatie gids



- (GB) Subject to printing errors and technical amendments.
- (NL) Drukfouten en technische wijzigingen voorbehouden.
- (F) Sous réserve de fautes d'impression et de modifications techniques.
- (D) Für Druckfehler übernehmen wir keine Verantwortung. Technische Änderungen vorbehalten.
- (E) Reservados errores de imprenta y sujete a modificaciones.
- (I) Con riserva di modifiche tecniche e di eventuali errori di stampa.
- (P) Reserva-se a ocorrência de gralhas e de modificações técnicas.
- (H) Nyomdahibák és technikai változtatások joga fenntartva.
- (PL) Zastrzega się możliwość występowania błędów drukarskich i zmian technicznych.
- (RU) Возможны ошибки при печати и технические модификации.

Designed and engineered in the Netherlands  
More information on: [www.vogels.com](http://www.vogels.com)

VOGEL'S PRODUCTS BV, HONDSRUGLAAN 93, 5628 DB EINDHOVEN, THE NETHERLANDS



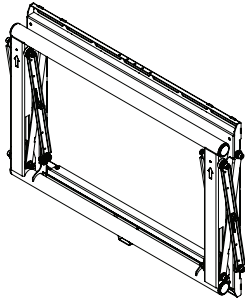
Max: 72kg/160lbs

# PFW 6870

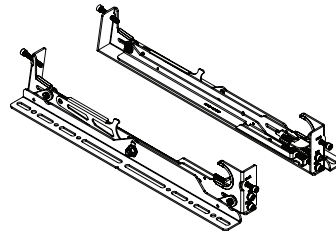
## Installation Guide

Installationsanleitung, Guía de Instalación, Guida de Installazione, Guide d'Installation, Installatie gids

### Included Components



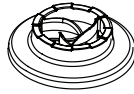
Wall Mount  
(Qty 1)



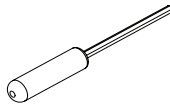
Bracket  
(Qty 1 Pair)



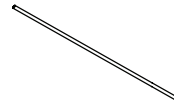
5/16" Flat Washers  
(Qty 4)



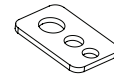
Universal Spacers  
(Qty 8)



5mm Allen Driver  
(Qty 1)



Thread Depth Indicator  
(Qty 1)



Universal Washers  
(Qty 4)



5/16" x 3" Lag Bolts  
(Qty 4)



Finned Anchors  
(Qty 4)



M4 x 12mm (Qty 4)



M6 x 12mm (Qty 4)



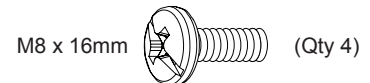
M8 x 12mm (Qty 4)



M4 x 16mm (Qty 4)



M6 x 16mm (Qty 4)



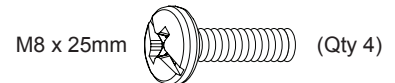
M8 x 16mm (Qty 4)



M4 x 25mm (Qty 4)



M6 x 25mm (Qty 4)

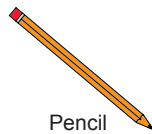


M8 x 25mm (Qty 4)

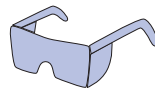
### Required for installation



Electronic Stud Finder



Pencil



Protective Eyewear



6mm Drill Bit



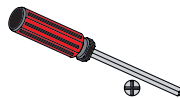
3/8" (10mm) Masonry Drill Bit



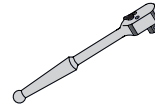
Level



13mm or 1/2" Socket



Phillips Head Screwdriver



Socket Wrench



Portable Drill



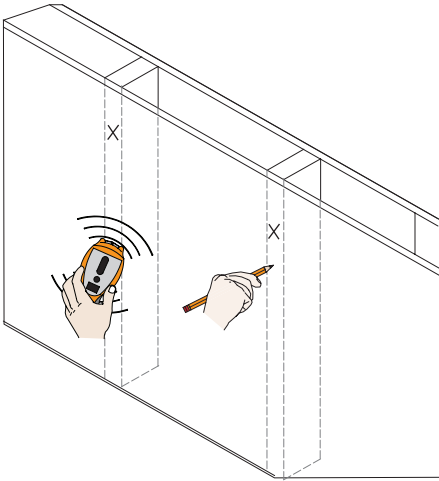
# PFW 6870

## Installation Guide

Installationsanleitung, Guía de Instalación, Guida de Installazione, Guide d'Installation, Installatie gids

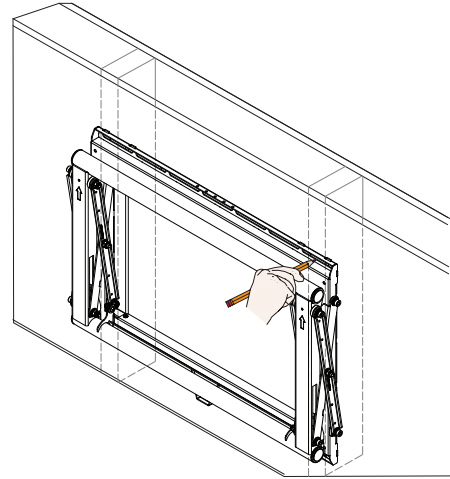
### Wood Stud Installation

1



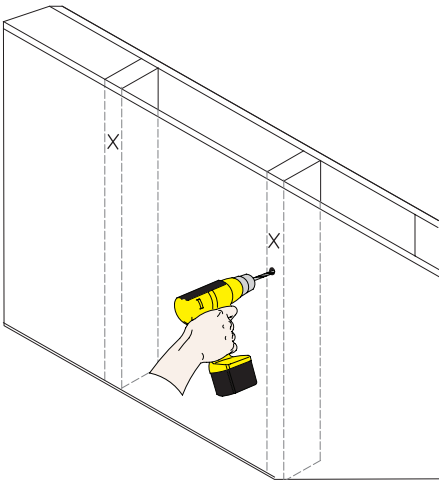
1. Use a stud finder to determine the wall studs in the vicinity of the mount.
2. Use a pencil to mark each of the wall studs.

2



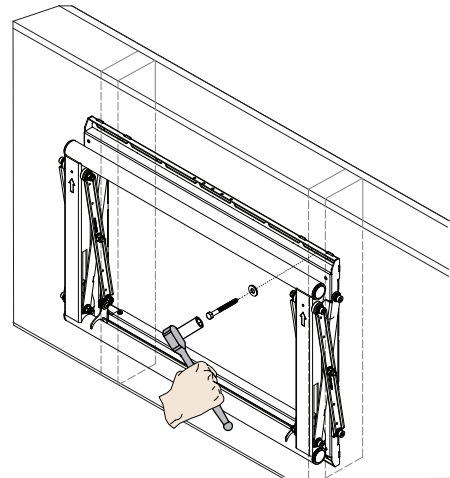
Use a pencil to mark the upper right mounting location of the wall stud.

3



Drill a pilot hole using a 6mm or 1/4" drill bit on the stud that was marked on the upper right.

4



1. Place the mount against the wall and align it with the pilot hole.
2. Insert one (1) 5/16" x 3" lag bolt one (1) 5/16" washer into the upper right pilot hole.
3. Use a socket wrench and a 1/2" socket to tighten the lag bolt.
4. Do not over tighten the lag bolt.

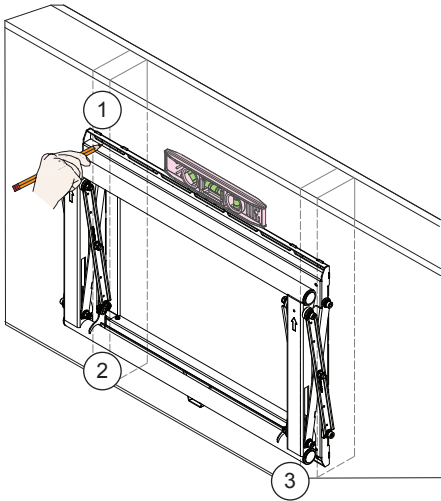


# PFW 6870

## Installation Guide

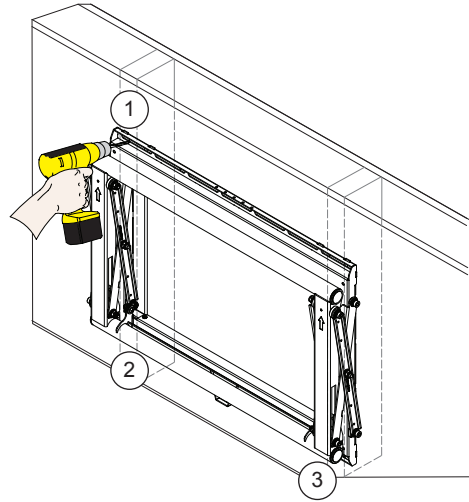
Installationsanleitung, Guía de Instalación, Guida de Installazione, Guide d'Installation, Installatie gids

5



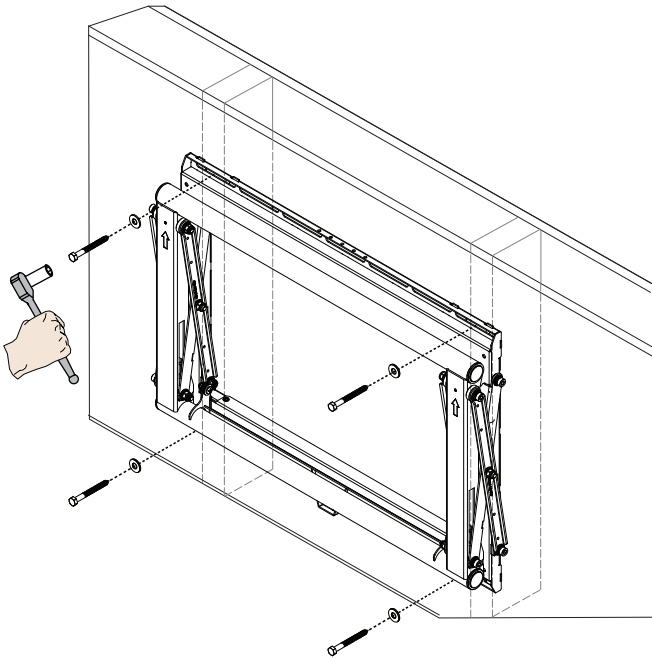
1. Level the mount
2. Use a pencil to mark the remaining three (3) mounting locations

6



Drill a pilot hole in each of the three (3) marks with a power drill and a 6mm or 1/4" drill bit.

7



1. Insert one (1) 5/16" x 3" lag bolt and one (1) 5/16" washer into each pilot hole.
2. Tighten all lag bolts using a socket wrench and 1/2" socket.
3. Do not over tighten the lag bolts



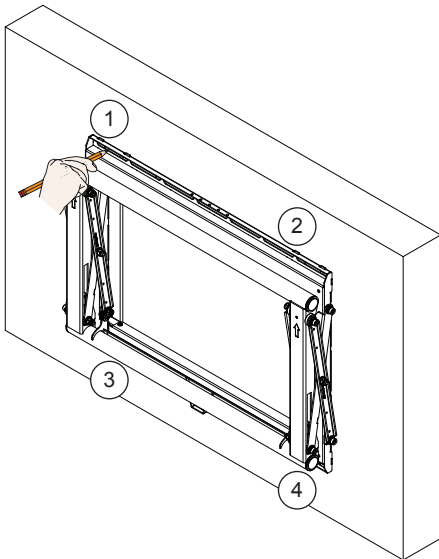
# PFW 6870

## Installation Guide

Installationsanleitung, Guía de Instalación, Guida de Installazione, Guide d'Installation, Installatie gids

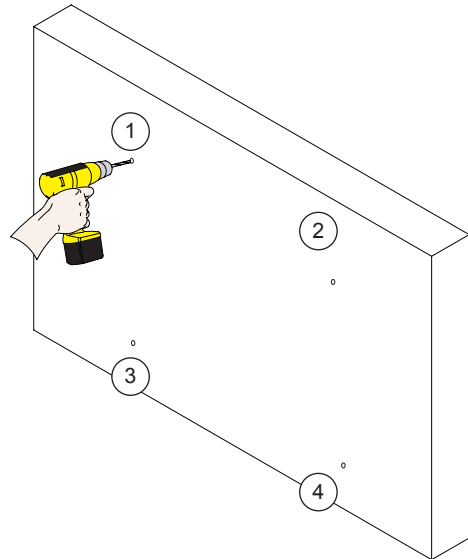
### Concrete Wall Installation

8



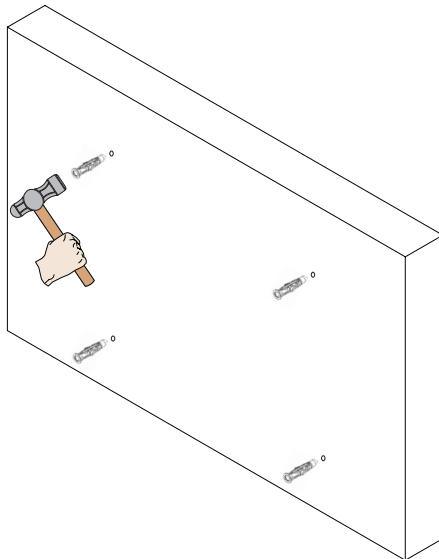
Two people recommended for this step; one person to level the mount and another person to mark the mounting locations.

9



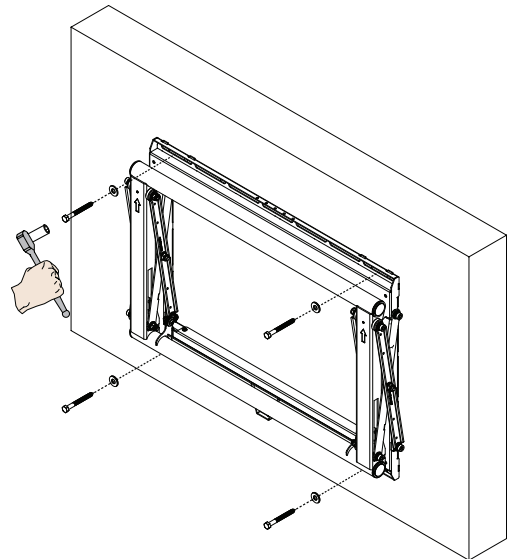
Drill a pilot hole in each of the four (4) mark areas with a 3/8" (10mm) masonry drill bit.

10



Insert the Finned anchors into each pilot holes. Lightly tap each Finned anchors into place with a hammer.

11



1. Insert one (1) 5/16" x 3" Lag Bolt and one (1) 5/16" washer into each pilot holes.
2. Tighten all lag bolts using a socket wrench and 1/2" socket.



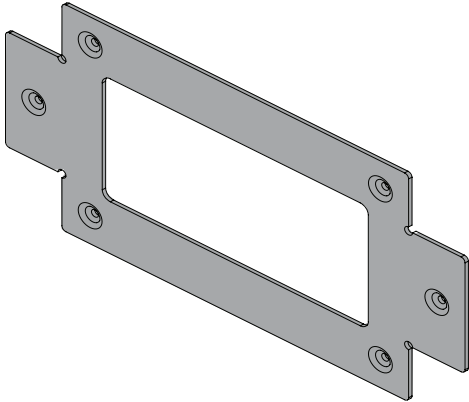
# PFW 6870

## Installation Guide

Installationsanleitung, Guía de Instalación, Guida de Installazione, Guide d'Installation, Installatie gids

### Installing **OPTIONAL** Model Specific Spacers

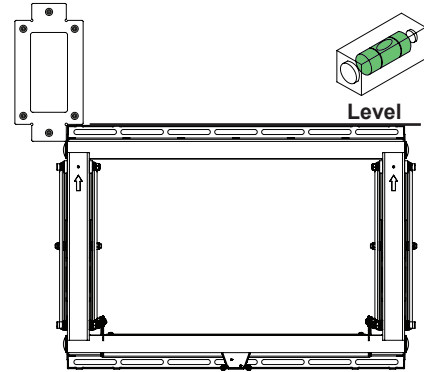
12




#### For ease of installation

Model-specific spacers are available for most flat-panel displays. Engineered with the intent of significantly reducing installation time on large video wall arrays. Contact Customer Service to inquire about model specific spacers.

13

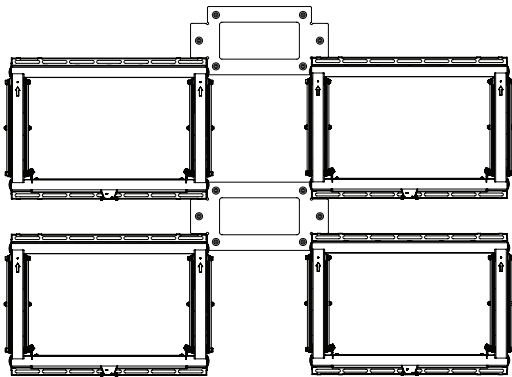


- 1) Mount the PFW6870 to the desired location.
- 2) Align and Level the spacer to the corner register tabs of the mount.

 Use commercially available hardware to secure the spacer. Utilize the same spacer for multiple PFW6870 installations.

For illustration only. PFW6870 Spacer will vary.

14



Multiple PFW6870 mounts can be installed using model specific spacers. Simply repeat step one when installing each of the surrounding PFW6870 mounts. Use one spacer for each 2x2 installation by mounting it to the wall, or utilize the same spacer as many times needed to complete an unlimited PFW6870 large matrix video wall.

1. Plumb and level and mark each corner where the PFW6870 will be mounted (or secure to the wall).
2. Install the second mount working in a horizontal direction.
3. Square, Level, and Plumb.
4. Repeat this step for each mount horizontally



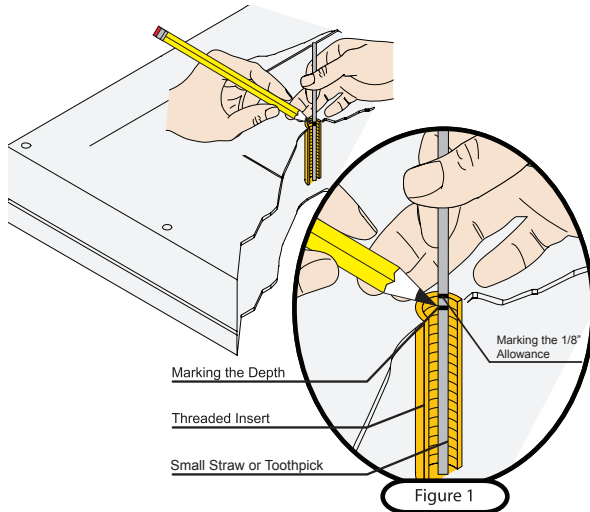
# PFW 6870

## Installation Guide

Installationsanleitung, Guía de Instalación, Guida de Installazione, Guide d'Installation, Installatie gids

### Selecting the Mounting Hardware

15



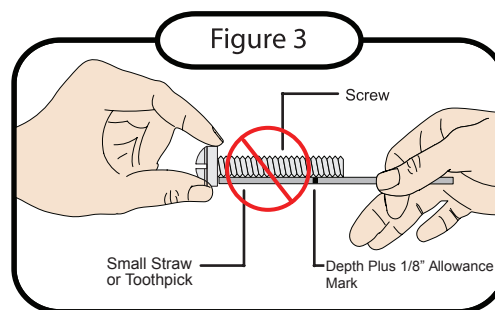
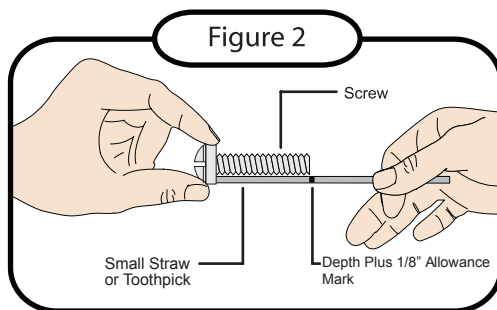
- 1) Insert a small straw or toothpick into the threaded inserts found on the back of the flat-panel.
- 2) Use a pencil to mark the depth of the threaded insert on the small straw or toothpick.
- 3) Mark the straw or toothpick 1/8" above the depth of the threaded insert, as shown in Figure 1.
- 4) Insert the small straw or toothpick into the remaining threaded inserts to compare and verify their depth using the straw or toothpick's 1/8" allowance mark.
- 5) Locate the correct diameter screw for the threaded insert.



If the selected screw is longer than the 1/8" allowance mark on the small straw or toothpick, as shown in Figure 2 and Figure 3, do not use this screw. The screw length must not bypass the mark.

- 6) Test each size of the screws provided.

The correct screws should thread easily into the mounting point and not pull out when tension is applied.



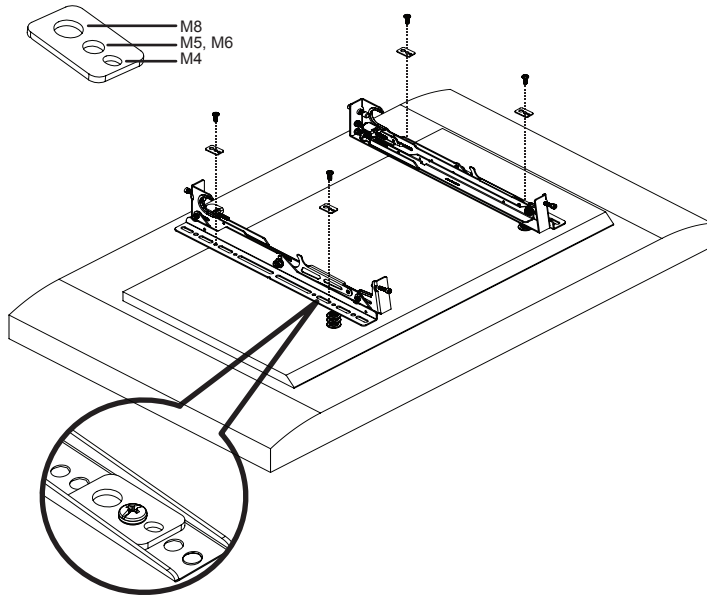
# PFW 6870

## Installation Guide

Installationsanleitung, Guía de Instalación, Guida de Installazione, Guide d'Installation, Installatie gids

16

### Universal Washer Installation



Universal Washers are designed to accommodate the various M4, M5, M6 and M8 hole sizes required by flat-panels.

- 1) Place the flat-panel screen-side down on a soft, flat surface.
- 2) Identify the number and location of the thread inserts on the back of the flat-panel.
- 3) Aligning the holes on each mounting bracket with the thread inserts on the back of your flat-panel.
- 4) Secure each mounting bracket to the flat-panel by inserting a minimum of two (2) screws per bracket.

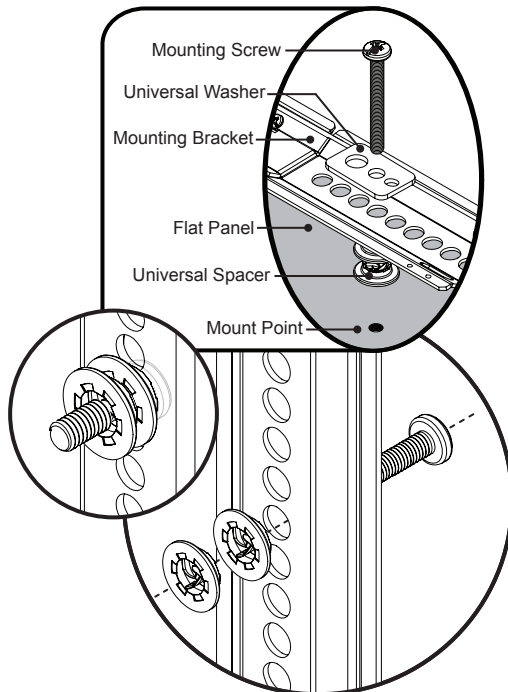


Do not over tighten the mounting hardware.

Make sure the directional arrows on the mounting brackets are facing up.

17

### Universal Spacer Installation



Universal Spacers allow the user to attach the mounting bracket to flat-panels which have recessed or uneven mount points. Each Universal Spacer adds 1/4" to the distance between the mounting bracket and the flat-panel.



The Universal Spacers must be stacked and oriented as shown.



The Universal Spacers must only be installed between the mounting bracket and the flat-panel.





# PFW 6870

## Installation Guide

Installationsanleitung, Guía de Instalación, Guida de Installazione, Guide d'Installation, Installatie gids

18

### Attaching the Flat-Panel to the Mount

Mounting bracket adjustments are factory pre-set (see **Note**).

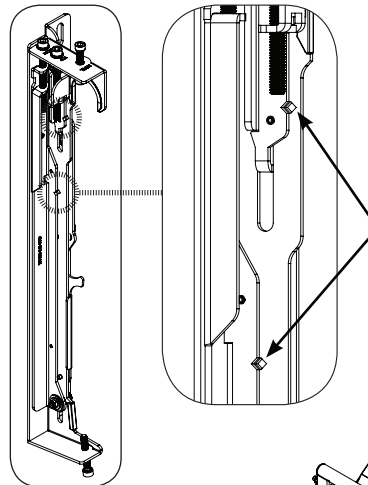
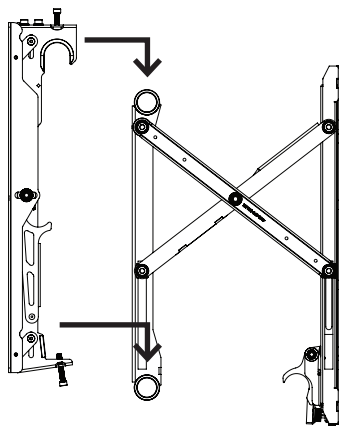


This section requires two people.

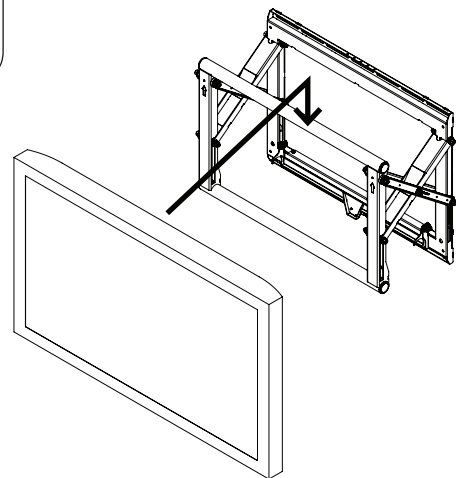


Do not release the flat-panel prematurely. The top and bottom hooks of both mounting brackets must be securely seated on the upper and lower mounting rails.

- 1) Raise the flat-panel past the top and bottom mounting rails on the wall panel.
- 2) Slide the flat-panel down slowly, keeping it close to the wall.
- 3) Engage the top and bottom mounting brackets to the rails of the mount.

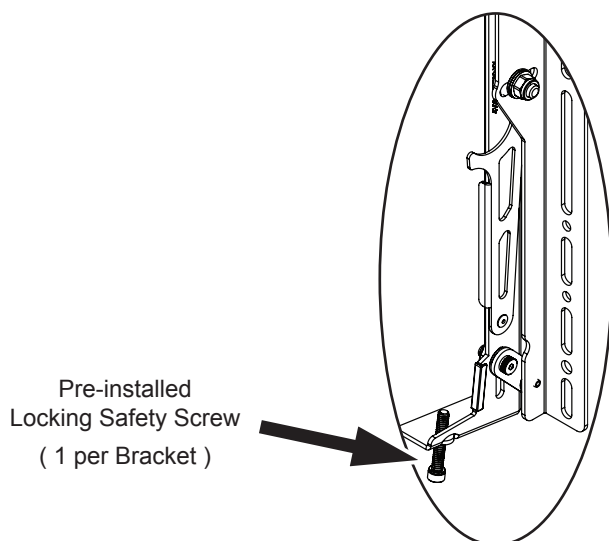


**Note:** These registers must align prior to installation. They are factory set. Check to determine proper alignment



19

### Locking Safety Screw Installation



The locking safety screws keep the flat-panel from being accidentally dislodged from the PFW6870.

- 1) Locate the pre-installed security locking safety screw at the bottom of each of the mounting brackets.
- 2) Use the M5 Allen driver (supplied) to tighten the locking safety screw.

**Note:** Tighten screw to surface, then tighten 1/4" turn



Do not overtighten the locking safety screws.

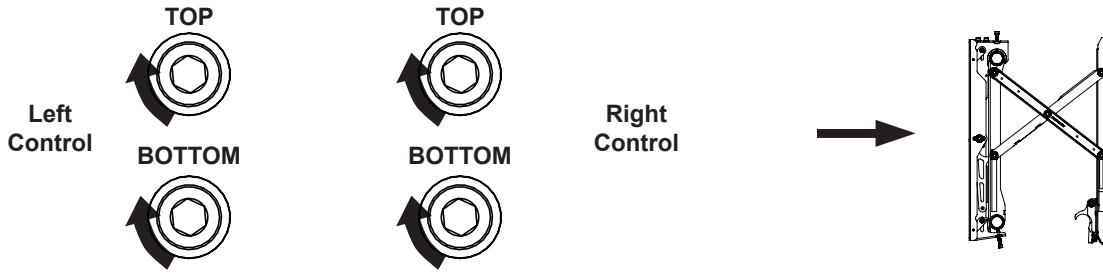


# PFW 6870

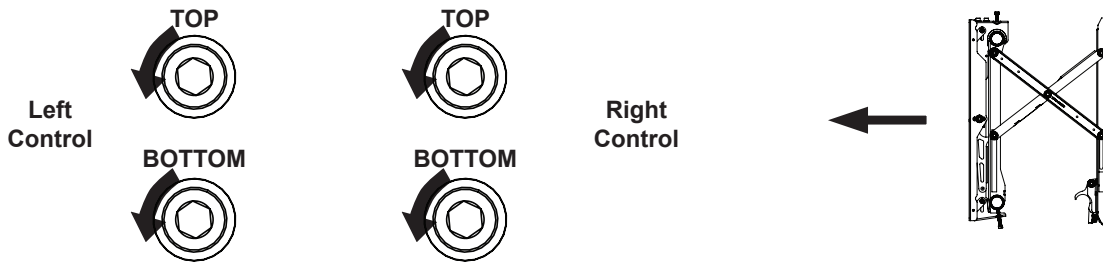
## Installation Guide

Installationsanleitung, Guía de Instalación, Guida de Installazione, Guide d'Installation, Installatie gids

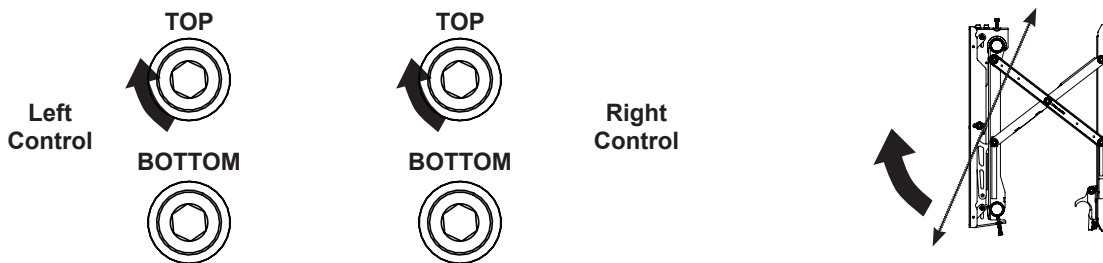
### MOVE INWARD



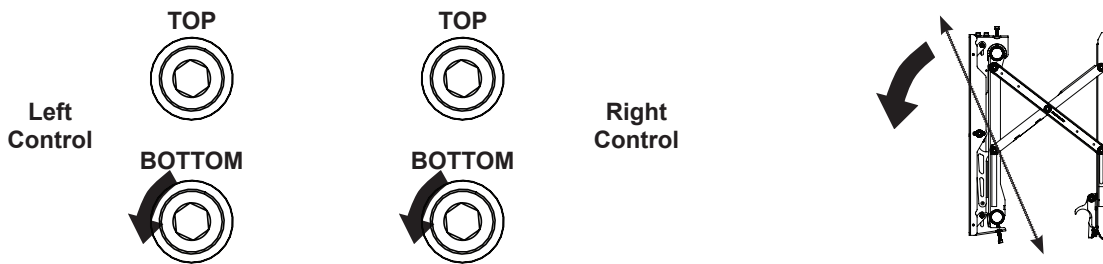
### MOVE OUTWARD



### TILT UP



### TILT DOWN



# PFW 6870

## Installation Guide

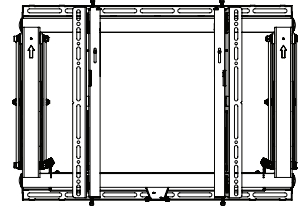
Installationsanleitung, Guía de Instalación, Guida de Installazione, Guide d'Installation, Installatie gids

### LEVEL UP

Left  
Control



Right  
Control

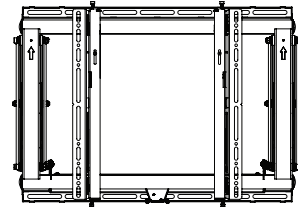


### LEVEL DOWN

Left  
Control



Right  
Control

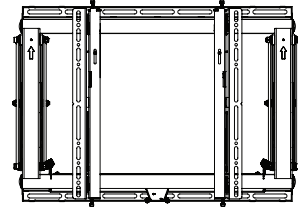


### ROTATE LEFT

Left  
Control



Right  
Control

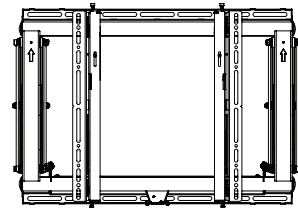


### ROTATE RIGHT

Left  
Control



Right  
Control



# PFW 6870

## Installation Guide

Installationsanleitung, Guía de Instalación, Guida de Installazione, Guide d'Installation, Installatie gids

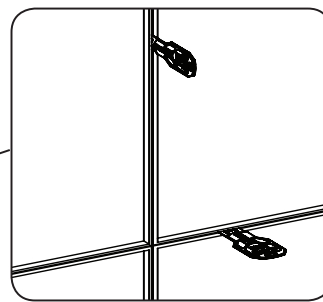
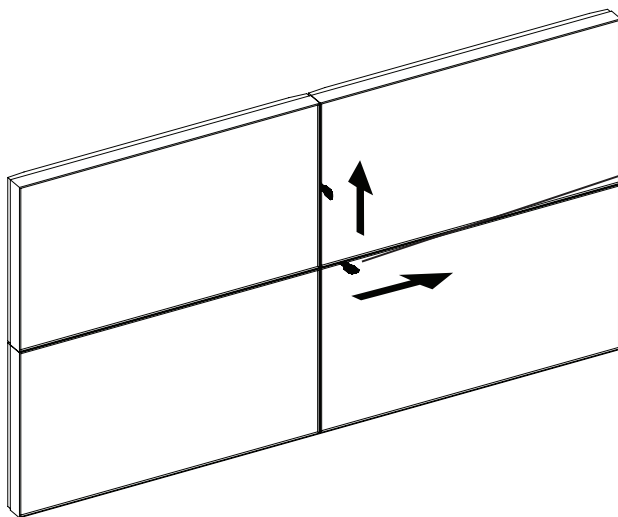
20

Use the **GAPit GO/No Go Gauge (supplied with model specific spacer)** as a final step in the process to inspect and adjust the gap to **prevent costly replacement and extend the lifespan of the displays.**

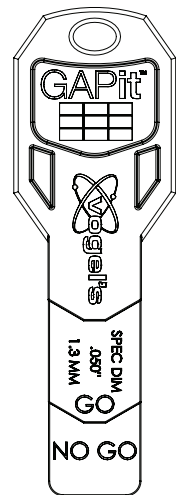


Damage happens when weight is transferred to the ultra-thin bezels of video wall installations, if the recommended gap specifications of .050" is not maintained vertically and horizontally.

This results in image distortion, and costly repairs and replacement



1. Swipe GAPit along vertical gap
2. Inspect for .050" gap & adjust if needed
3. Swipe GAPit along horizontal gap
4. Inspect for .050" gap & adjust if needed



# PFW 6870

## Installation Guide

Installationsanleitung, Guía de Instalación, Guida de Installazione, Guide d'Installation, Installatie gids

21

### Servicing

1. Push evenly in the front of the PFW6870 to release the single latch spring lock (Figure 1).
2. Slowly pull the front of the PFW6870 to extend the scissor arms (Figure 2).
3. Loosen the locking safety screws on both mounting brackets.
4. Tilt up the bottom of the flat-panel, then set their kickstands against the bottom tubing of the mount (Figures 2 & 3).
5. Perform any necessary repairs. Close the latch after servicing.

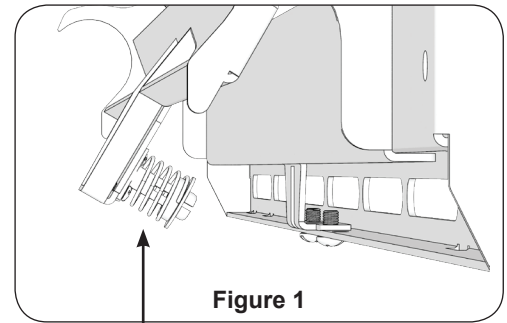


Figure 1

Single Latch Spring Lock

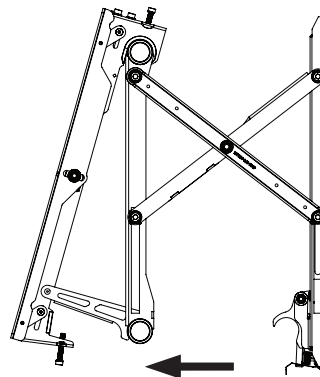
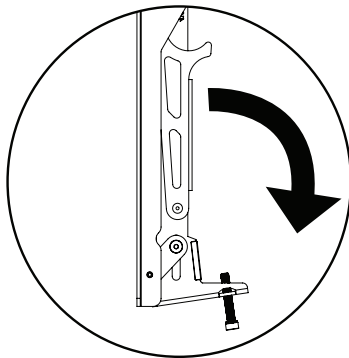


Figure 2

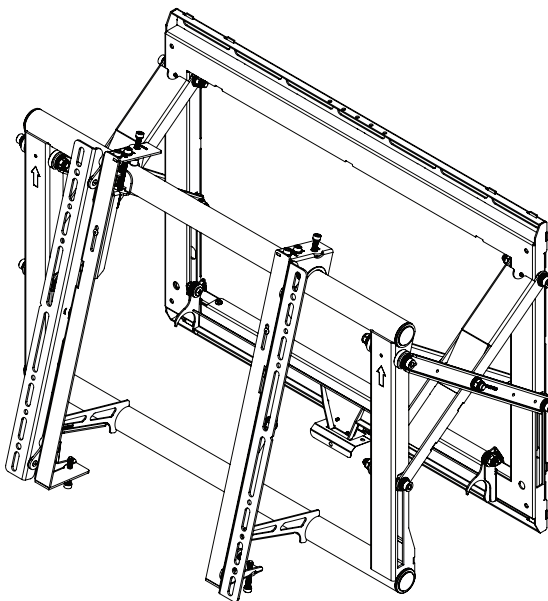


Figure 3

