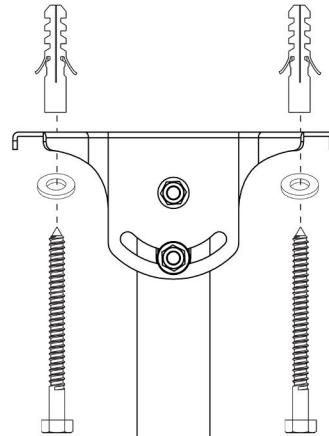


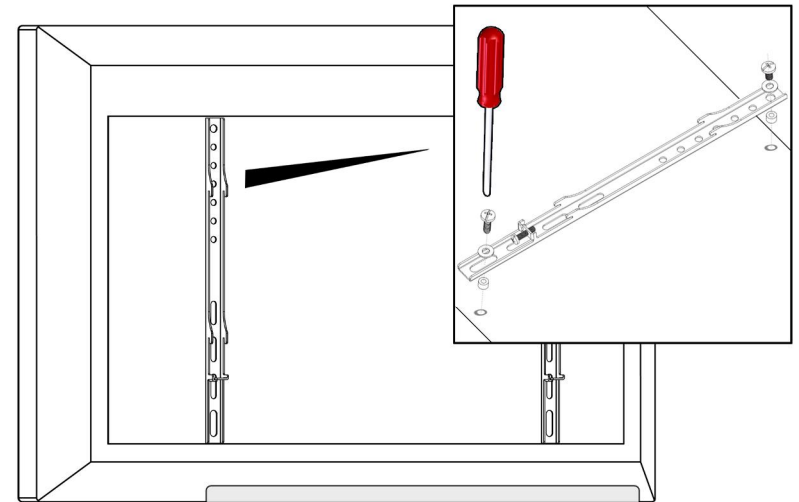
Level the mount and mark.



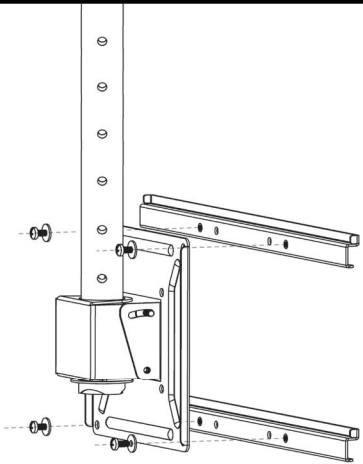
Drill the mounting holes.



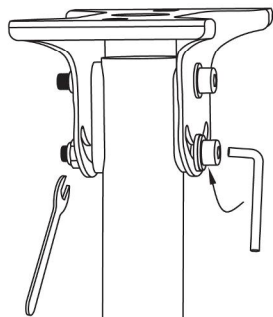
Insert the ceiling anchors\* to the ceiling and tap them and flush with a hammer.  
\* Never use ceiling anchors on dry ceiling



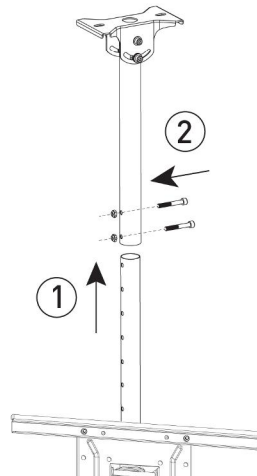
Tightly secure the mounting screws.



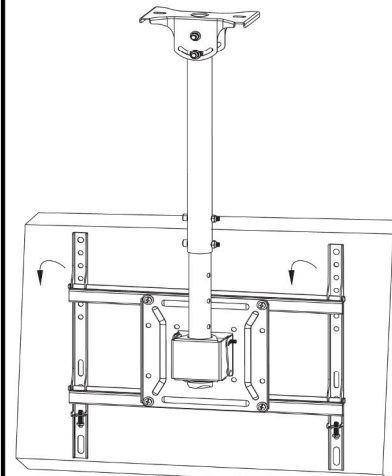
Attach extension arms to the bracket.



Attach the body to the mount.

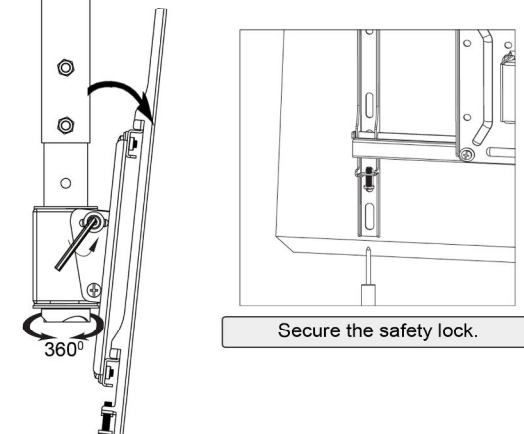


Adjust the height



Attach the screen to the bracket.

### TILT & SWIVEL



Secure the safety lock.

If too loose or too tight.

### HARDWARE KIT

