

***FISHMAN***<sup>®</sup>

---

USER GUIDE  
RARE EARTH SINGLE COIL  
& HUMBUCKING PICKUPS

[fishman.com](http://fishman.com)

# Welcome

---

Thank you for choosing Fishman. We are proud to offer you professional-grade amplification products and accessories that will empower you to sound your very best.

Please read through this User Guide to familiarize yourself with the operation of your Rare Earth pickup. Additional information and support can be found at [fishman.com/support](https://fishman.com/support)

## Quick Install

---

To temporarily install the pickup, loosen the clamps with a Phillips screwdriver. Position the pickup in the soundhole, parallel to and as close to the end of the fingerboard as possible. Gently re-tighten the clamps. For now, run the cable out through the soundhole.

**Precaution:** *To prevent possible damage to the guitar finish, avoid leaving the cable in contact with your instrument for prolonged periods of time.*

If you travel with your guitar or store it for long periods with the pickup in place, we strongly recommend that you have the endpin jack permanently installed in the guitar. Installation instructions for professional installers are available from Fishman Support at [fishman.com/support](http://fishman.com/support).

## Mounting Clamps

---

The jaws of the clamps are lined with natural cork, which will not interact with the guitars finish. Use gentle pressure to tighten the clamps. Note that over-tightening may damage the guitar finish.

## Power

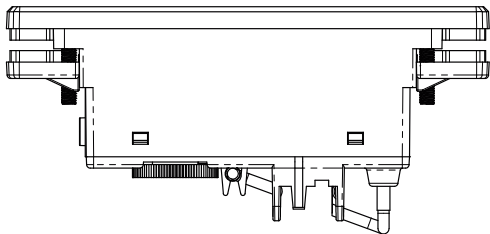
---

The Rare Earth switches on when you plug in. To conserve the batteries, unplug the endpin jack when not in use. The batteries for the Rare Earth are conveniently mounted to the underside of the pickup. You can expect over 300 hours between battery changes. If you hear the signal from the pickup starting to distort it is time to change the batteries.

# Battery Replacement

---

Remove the pickup from the instrument and carefully pry out the batteries with a small flat-head jeweler's screwdriver. When you replace the batteries, observe the correct polarity. Note that plus (+) and minus (-) polarity marks are molded into the shell of the battery clip.



**Battery** ↑

# Battery Requirements

---

## **Two 1.5 Volt silver oxide:**

Eveready #357

ANSI-WS15

1EC-SR44

## **The battery holder will also accept one 3-Volt lithium battery:**

Duracell DL1/3N

Eveready 2L76

Varta CR 1/3N 6132

Union Carbide 2L76

Sanyo CR 1/3N

Others: K58L

## Pickup Voicing

---

The Rare Earth has been carefully voiced to reproduce a balanced string response. If your guitar has very high action on the bass side or very low action on the treble side, you may hear slight imbalance between the outside strings. In these cases, raise the bass side of the pickup with a shim. The Rare Earth is voiced specifically for bronze or phosphor bronze strings. If nickel electric guitar strings are used with the Rare Earth, the lower wound strings will overpower the higher plain strings.

## Preamp

---

All Rare Earth models feature a miniature preamp, housed within the body of the pickup. A low-noise circuit design preserves the pickup's performance in any audio environment. Plug the Rare Earth into an acoustic instrument amplifier, an unbalanced input of a mixer or a direct box, without signal loss or degradation. You may run cables up to 80' (25m) in length without audible signal loss.

# Pickup Types

---

## Single Coil

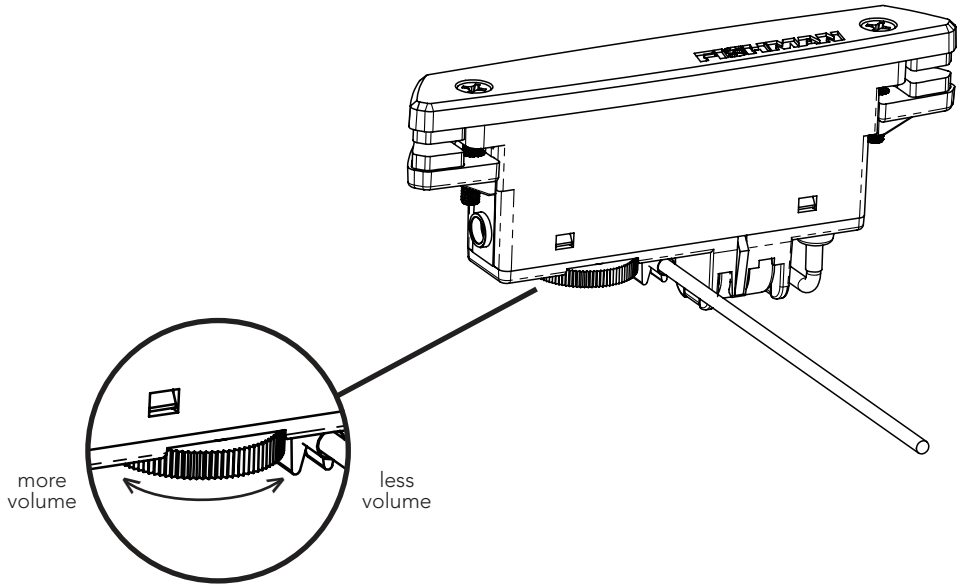
This model is for those who prefer the brightness and character associated with a single coil pickup. A thumbwheel volume control, located on the bottom of the pickup, is easily accessible through the soundhole. For the lowest noise performance keep the control at the highest setting.

Note: This version, like all single coil pickups, is susceptible to 50 – 60Hz hum. To minimize noise keep the Rare Earth Single Coil away from Fluorescent lights, light dimmers, computer monitors, and transformers.

## Humbucking

A “stacked coil” style, for musicians who demand full, rich acoustic tone with quieter reproduction than a single coil pickup can offer. A thumbwheel volume control, located on the bottom of the pickup, is easily accessible through the soundhole. For the lowest noise performance keep the control at the highest setting.





## LIFETIME LIMITED WARRANTY

Fishman Transducers Inc. products ("Product") are warranted to the original consumer purchaser to be free of defects in materials and workmanship under normal use and service. Parts and labor are warranted for a period of one (1) year from the date of purchase. If the Product fails to function properly due to defects in materials or workmanship during the first year warranty period, Fishman Transducers Inc. ("Fishman"), at its option, will repair or replace the Product, with no charge for labor or materials. If the Product fails to function properly due to defects in materials or workmanship after one (1) year from the date of purchase, Fishman will repair the Product with no charge for materials, however repairs will be subject to applicable labor and freight charges determined by Fishman at their sole discretion. Fishman may also choose to replace this product or part of this product with a substitute, in lieu of repair, in exchange for quoted labor charges. This warranty applies only if the Product is sold and delivered within the U.S. by an authorized Fishman Dealer. For customers outside the U.S., Fishman products are warranted only by the terms of Fishman's authorized regional distributor. Please contact the dealer where you purchased your product for more information.

EXCEPT AS SPECIFICALLY PROVIDED IN THIS DOCUMENT, THERE ARE NO OTHER WARRANTIES, EXPRESSED OR IMPLIED, INCLUDING, BUT NOT LIMITED TO, IMPLIED WARRANTIES OF MERCHANTABILITY OR FITNESS FOR A PARTICULAR PURPOSE. IN NO EVENT SHALL FISHMAN BE LIABLE FOR LOSS OF PROFITS OR INCIDENTAL, INDIRECT, SPECIAL, CONSEQUENTIAL OR OTHER SIMILAR DAMAGES ARISING OUT OF

ANY BREACH OF WARRANTY OR OTHER OBLIGATION CONTAINED IN THIS DOCUMENT. THE WARRANTY CONTAINED HEREIN SHALL NOT APPLY IF THE SERIAL NUMBER IS DEFACED OR REMOVED OR THE PRODUCT HAS BEEN DAMAGED BY ALTERATION, MISUSE, ACCIDENT, NEGLIGENCE OR USE WITH UNAUTHORIZED ATTACHMENTS.

#### TERMS OF WARRANTY SERVICE

Warranty service and repairs are to be made only at the Fishman factory. Unauthorized repairs will void this warranty. The customer must contact Fishman Service & Support and obtain a Return Merchandise Authorization number (RMA) before delivering the product to Fishman, freight prepaid. Product repaired during the first year warranty period at the Fishman factory will be returned to the customer via UPS ground freight, prepaid by Fishman to any location within the continental United States. Product repaired after the first year warranty period at the Fishman factory will be returned at customer expense. Product returned to Fishman that is not covered by the terms of this warranty will be serviced only after payment is arranged.

#### EU DECLARATION OF CONFORMITY CE

Hereby, Fishman declares that Rare Earth Models 494-000-519 and 494-000-520 are in compliance with the essential requirements and other relevant provisions of Directive 2014/30/EU, 2014/35/EU. The Declaration of Conformity can be found at [www.fishman.com/support](http://www.fishman.com/support).

***FISHMAN***®

fishman.com