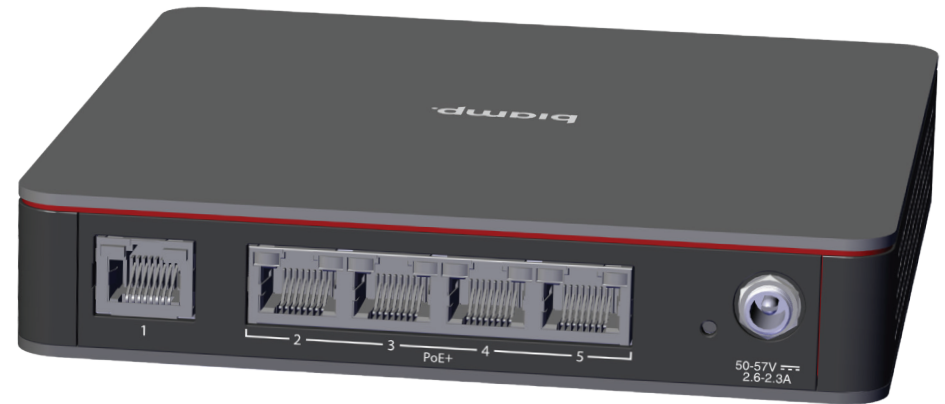


TesiraCONNECT TC-5

Installation & Operation Guide



Product Description

TC-5

The TesiraCONNECT™ TC-5 is an AVB-capable PoE+ five-port room expansion device designed to connect Biamp AVB equipment in small conference systems.

Four ports provide PoE+ with no power budget restrictions. The TesiraCONNECT eliminates the need for third-party switches and provides power and media streaming to each Biamp device via category cable.

Setup and Use

The TesiraCONNECT is designed to work out of the box without any user configuration required, but Tesira software provides an intuitive interface for features such as locate and firmware updates. The information supplied by this manual relates to physical connections and device setup. For more details on software, please consult the [Tesira Help File](#).

Up to four TesiraCONNECT devices may be connected in daisy chain or star topology to support additional Tesira devices or remote mounting locations.

Installation

Install away from heat sources, such as vents, radiators, heat registers and stoves. Also avoid installing near water or steam. Do not exceed the maximum ambient operating temperature of 32-104° F (0-40° C). Be aware of conditions in an enclosed rack that may cause the temperature to exceed ambient room conditions.

TesiraCONNECT may be installed in various locations and an optional mounting bracket (ordered separately) allows the TesiraCONNECT to be securely fastened under tables, on walls, etc.

Features

- Five AVB-capable RJ-45 ports
- Four ports support PoE+ power (IEEE 802.3at Class 4, 30W)
- Up to 4 TesiraCONNECT devices can be daisy-chained together
- Front panel LED status indicators
- Fault reporting and device monitoring supported in SageVue™
- Compatible with Tesira conferencing products
- Includes power supply



A: 9300 S.W. Gemini Drive Beaverton, OR 97008 USA

W: www.biamp.com

JULY 2020

Product Installation

TesiraCONNECT may be installed in almost any location that is convenient for room design, requirements, etc. Be sure to allow for adequate airflow over the ventilation grilles.

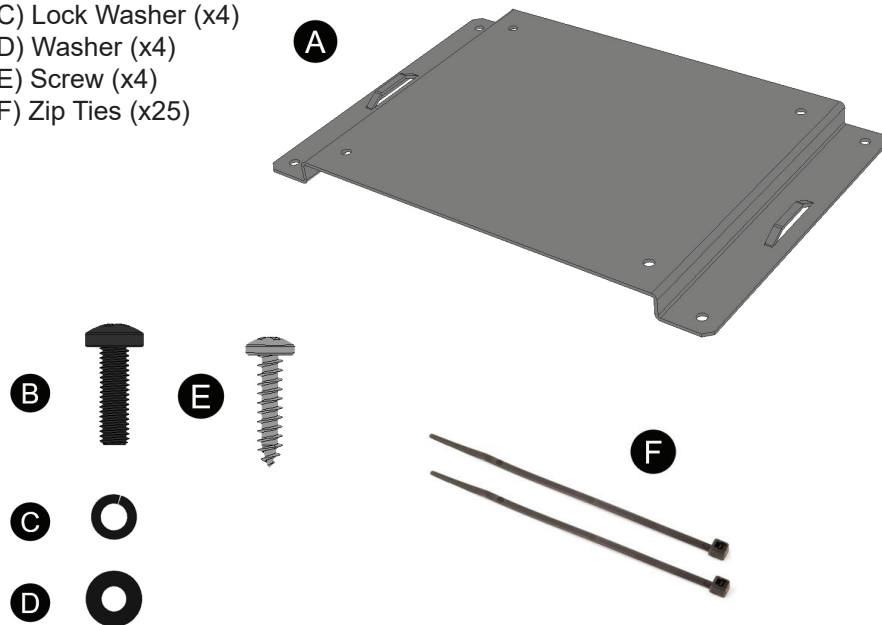
- On a rack shelf
- In a plenum/air-handling space
- In a cabinet/credenza

Optional Mounting Bracket Kit

An optional mounting bracket may be ordered separately which allows greater flexibility in mounting options, such as directly under a table, on a wall, behind a display or any other flat surface that requires secure mounting.

The mounting bracket kit contains the following:

- A) Mounting Bracket
- B) Screw (x4)
- C) Lock Washer (x4)
- D) Washer (x4)
- E) Screw (x4)
- F) Zip Ties (x25)



1. Determine the location where the TesiraCONNECT is to be located.
2. Install the bracket onto the TesiraCONNECT with hardware as shown in Figure 1.
3. Install the bracket and attached TesiraCONNECT at the desired location with the hardware provided as shown in Figure 2.
4. Use the included zip ties to secure the power supply and cables as required (not shown).

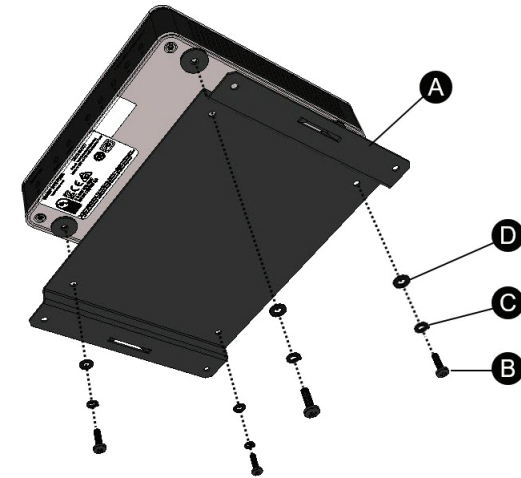


Figure 1 - Mounting Bracket Installation

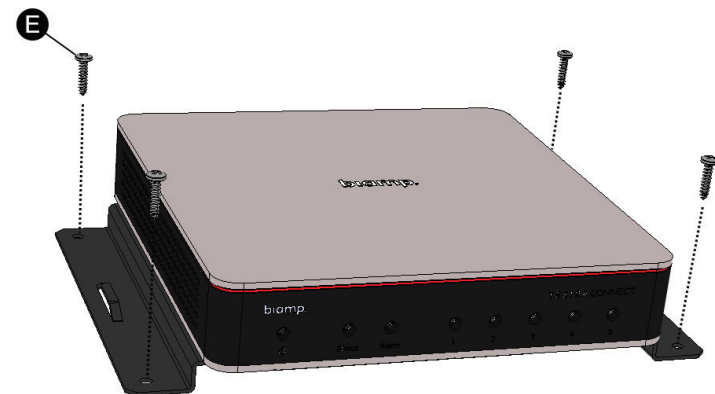
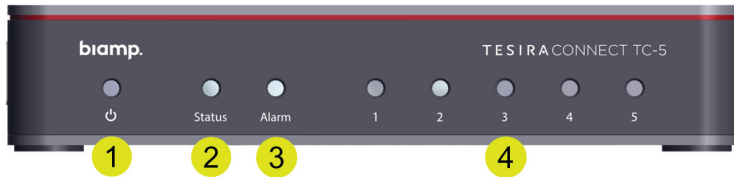
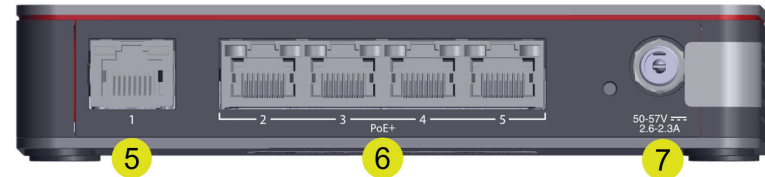


Figure 2 - TesiraCONNECT Installation



Front Panel

1. Power Indicator
2. Device Status
3. Alarm Status
4. RJ45 AVB Port Status



Rear Panel

5. RJ45 AVB Port (non-PoE+)
6. RJ45 AVB Ports (PoE+)
7. Power Connection

Front Panel LEDs

There are eight multi-color LEDs on the front panel of the TC-5D which give various information to a user.

1. Power

Status	LED Indicator
No Power	Off
Device is powered	Green Solid
Device is in Locate mode (triggered from the software)	Green Flashing
Device is booting	Yellow Solid

2. Status

Status	LED Indicator
No Power	Off
Device is fully booted/ready	Green Solid
Device is in Locate mode (triggered from the software)	Green Flashing
Device is booting	Yellow Solid

3. Alarm

Status	LED Indicator
No Alarm Condition Present	Off
Device is in Locate mode (triggered from the software)	Green Flashing
Unit has a major alarm present	Red Solid
Unit has a minor alarm present	Yellow Solid
Unit has a major and minor alarm present	Alternating Red/Yellow

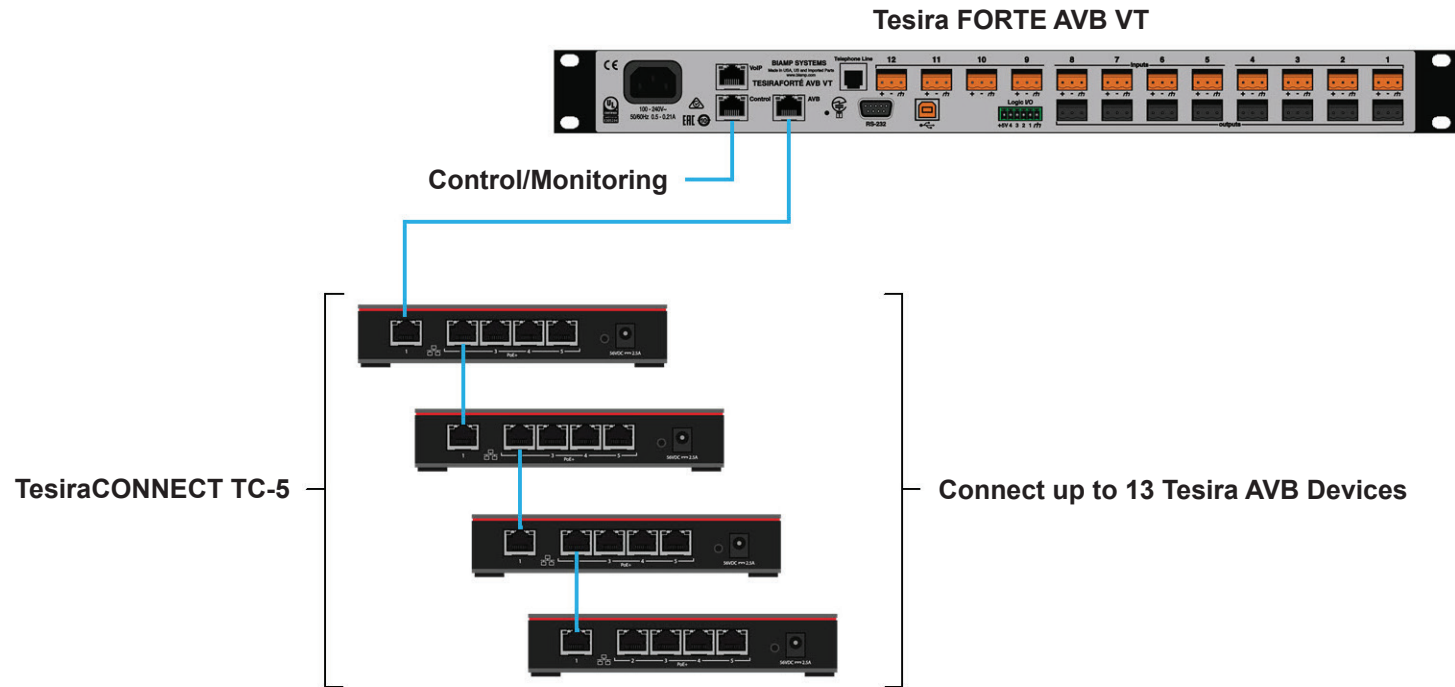
4. RJ45 Port Status Indicators

Status	LED Indicator
No Alarm Condition Present	Off
Ethernet link is active	Green Solid
Device is in Locate mode (triggered from the software)	Green Flashing

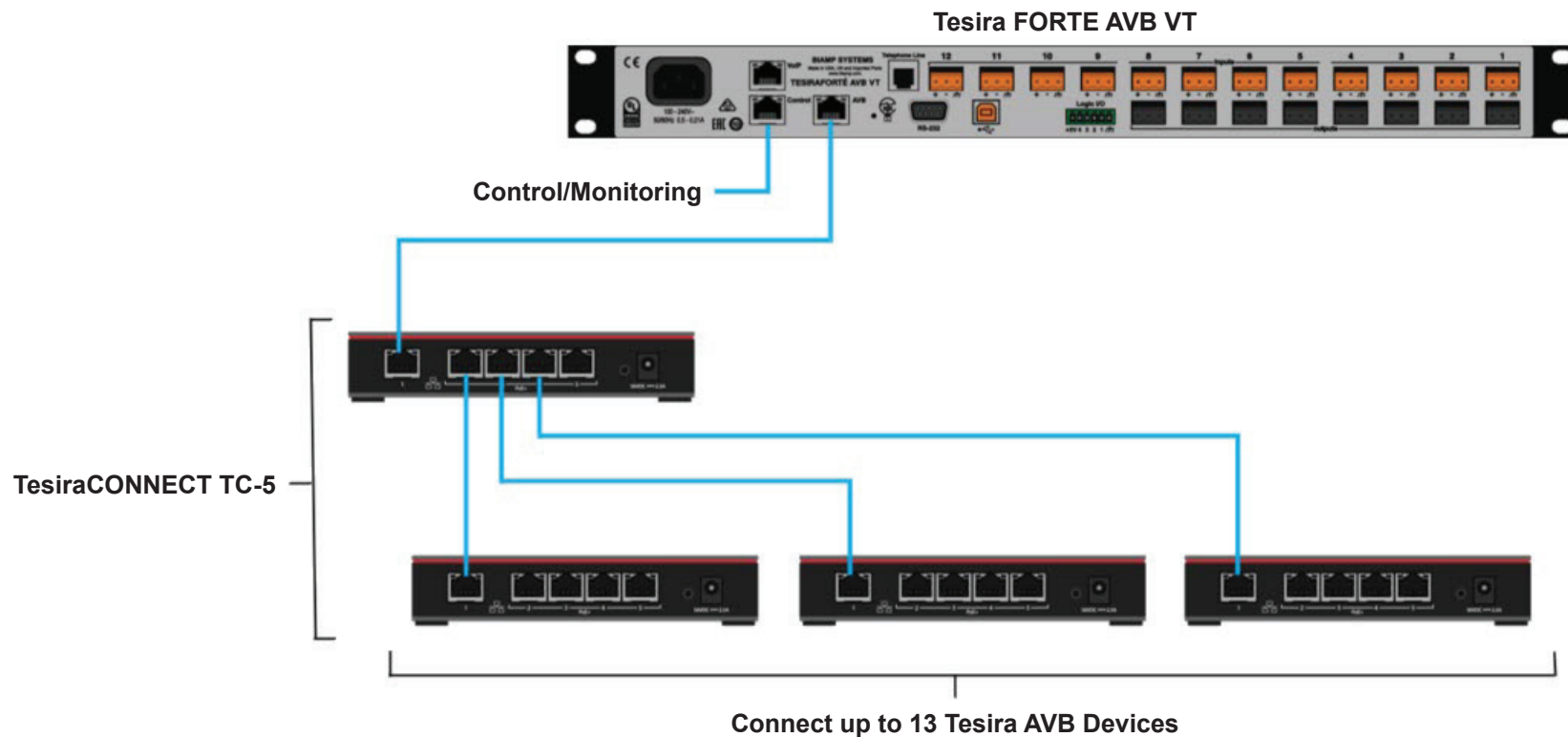
5/6. RJ45 AVB Ports (PoE+/non-PoE+)

Status	LED Indicator
When Ethernet Link is down	Both LEDs Off
When Ethernet Link Up	Right LED Green Solid
When PoE is delivering Power	Right LED Orange Solid
When data activity	Left LED Green Flashing
When no data activity (with Link up)	Left LED Green Solid

NOTE: RJ45 AVB does not include PoE+.

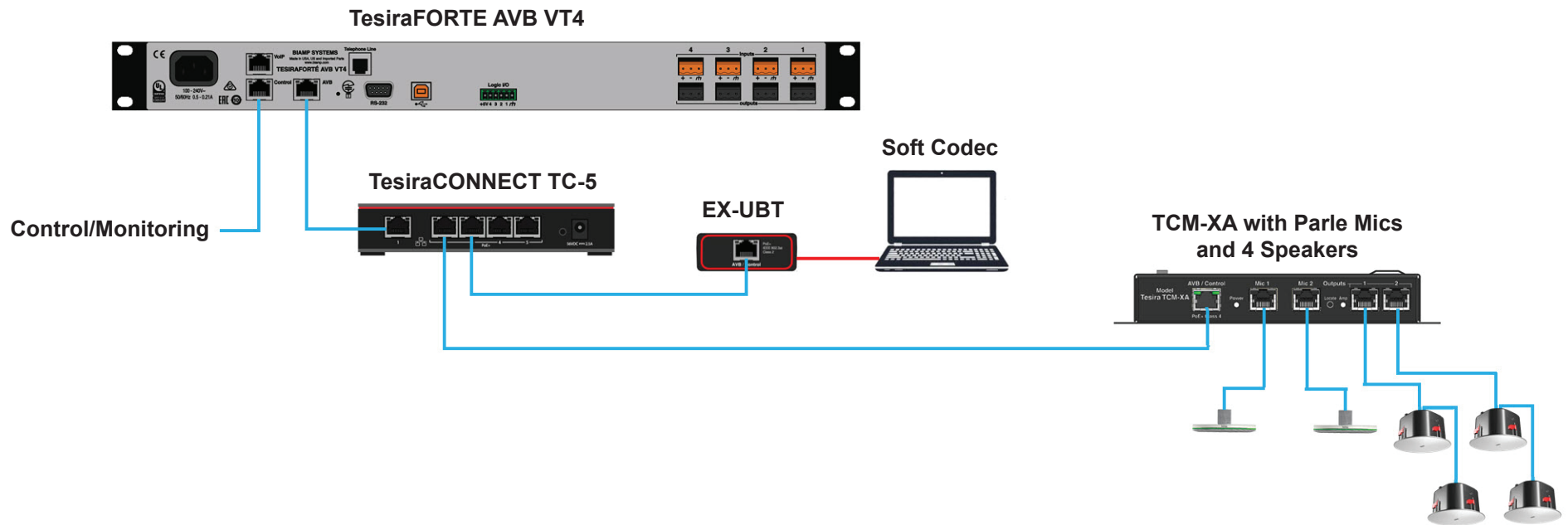


Four TesiraCONNECT TC-5 Devices in Daisy Chain Topology



Four TesiraCONNECT TC-5 Devices in Daisy Chain Topology

TesiraCONNECT System Deployment Examples

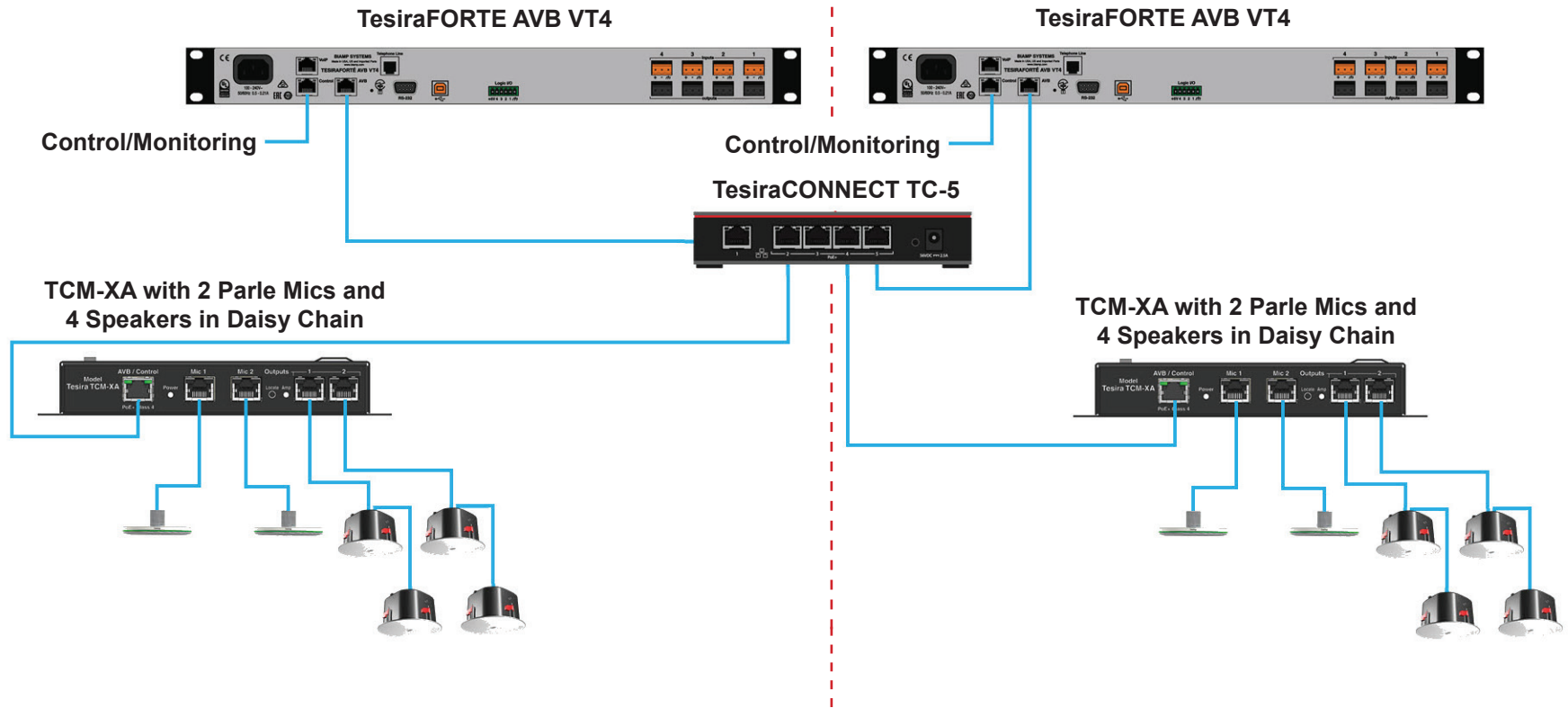


Cat-5e	
USB	

One TesiraCONNECT TC-5 in a Typical Conference Room

Room #1

Room #2



Two Rooms Sharing one TesiraCONNECT TC-5



CONTACT US

Email

support@biamp.com

Web

support.biamp.com

Warranty

www.biamp.com/legal/warranty-information

Safety and Compliance

www.biamp.com/compliance



A: 9300 S.W. Gemini Drive Beaverton, OR 97008 USA

W: www.biamp.com

JULY 2020