



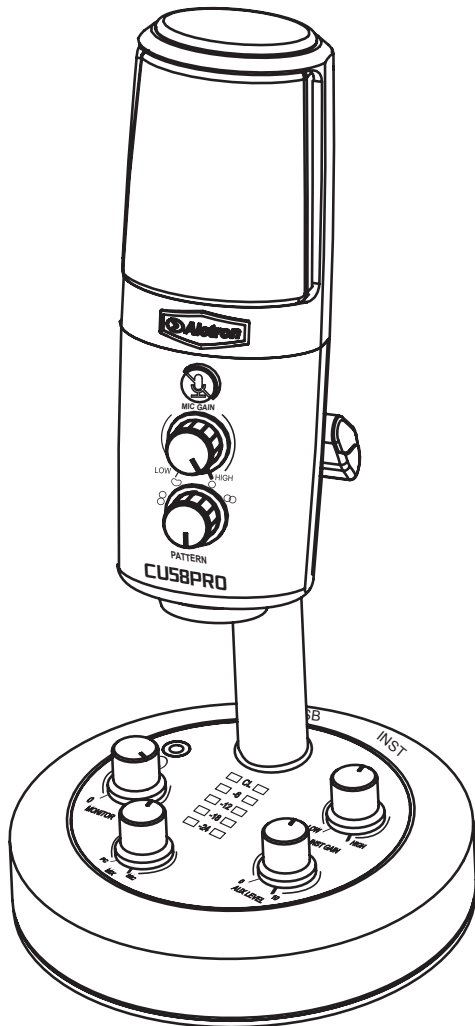
CU58 PRO

USB 录音麦克风

CU58PRO USB studio microphone

用户手册

Owner's Manual



目录

English

1. IMPORTANT SAFETY INSTRUCTIONS.....	2
2. GENERAL INTRODUCTION.....	2
3. FUNCTION INTRODUCTION.....	2
4. ANGLE ADJUSTABLE FUNCTION.....	3
5. CONNECTION.....	3
6. PRELIMINARY SET UP WITH WIN10.....	4
7. PRELIMINARY SET UP WITH MAC.....	5
8. RECODING SETTING.....	6
9. SPECIFICATION.....	6

中文

1. 安全须知.....	7
2. 产品介绍.....	7
3. 功能介绍.....	7
4. 角度调节功能.....	8
5. 连接.....	8
6. WIN10的初步设置.....	9
7. MAC的初步设置.....	10
8. 录音软件设置.....	11
9. 产品参数.....	11

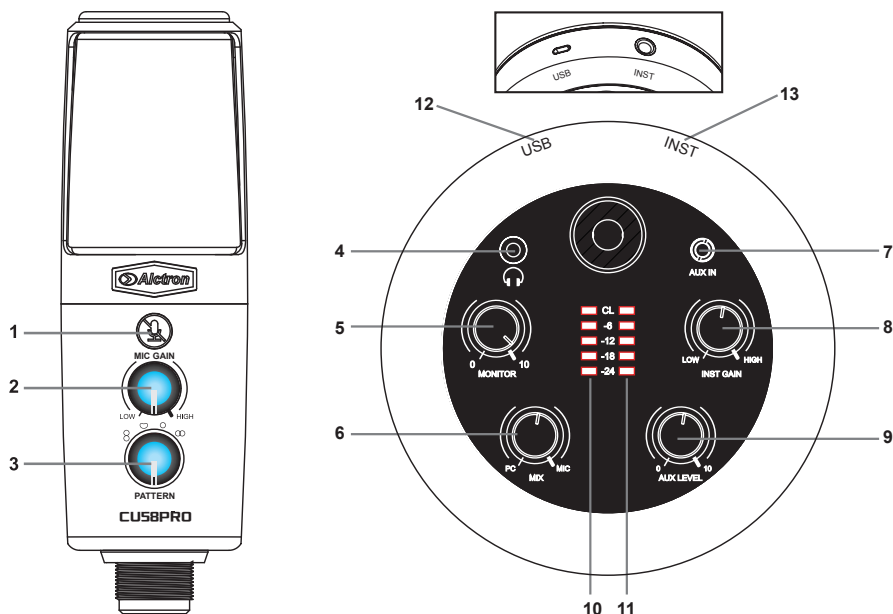
▲ IMPORTANT SAFETY INSTRUCTIONS

- * Do not store the microphone under direct sunlight, near heating devices or in a hot, humid or dusty place. Do not allow the microphone to get wet;
- * Do not install near any heat sources such as radiators, heat registers, stoves, or other apparatus (including amplifiers) that produce heat;
- * Do not subject the microphone to strong impact;
- * Do not disassemble, modify or attempt to repair the microphone;
- * Clean only with dry cloth;
- * When this product is used for a long time, the microphone may become discolored due to ultraviolet light (especially direct sunlight) or wear.

GENERAL INTRODUCTION

CU58PRO is a multi-pattern USB microphone, combining 3 capsules and 4 different pattern settings. Discrete components carefully selected and optimized for maximum performance. We adopts high quality A/D converter with 24bit/96KHZ sampling rate for superb audio. It comes with multi-function knobs and independent volume adjustable knobs. It displays input and output level in its base stand which let you know in/out level condition. Its angle adjustable function makes mic and stand in an ideal picking position.

FUNCTION INTRODUCTION

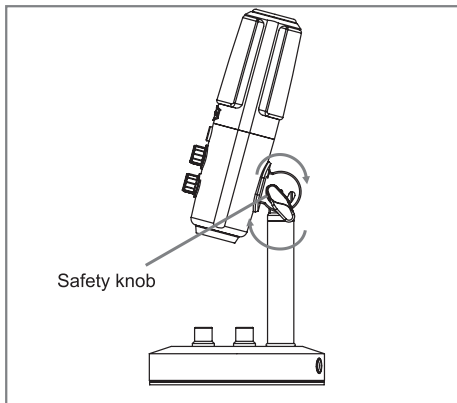


1. Press the button, making the recording mic in mute position.
2. MIC GAIN: quickly adjust your microphone's sensitivity to your preferred state.
3. PATTERN: switch between 4 different recording patterns with a quick turn of this knob (cardioids, omni, figure-8 and stereo).
4. Standard 3.5mm headphone connector.
5. MONITOR: main monitor output level control, adjusts headphone volume.
6. MIX: it is used to "mix" between mic signal and the sound from your audio recording software on your computer/device. By turning the knob counter-clockwise, you will hear more of the mic signal and less of the signal coming from the computer/device software. If you turn the knob clockwise, you will hear more of the computer/device signal and less of the mic signal. (We recommend always with the knob in the center position. This will ensure that you are hearing an equal balance of both the mic signal and the computer/device signal, enabling you to achieve an ideal balance between the signals.)

English

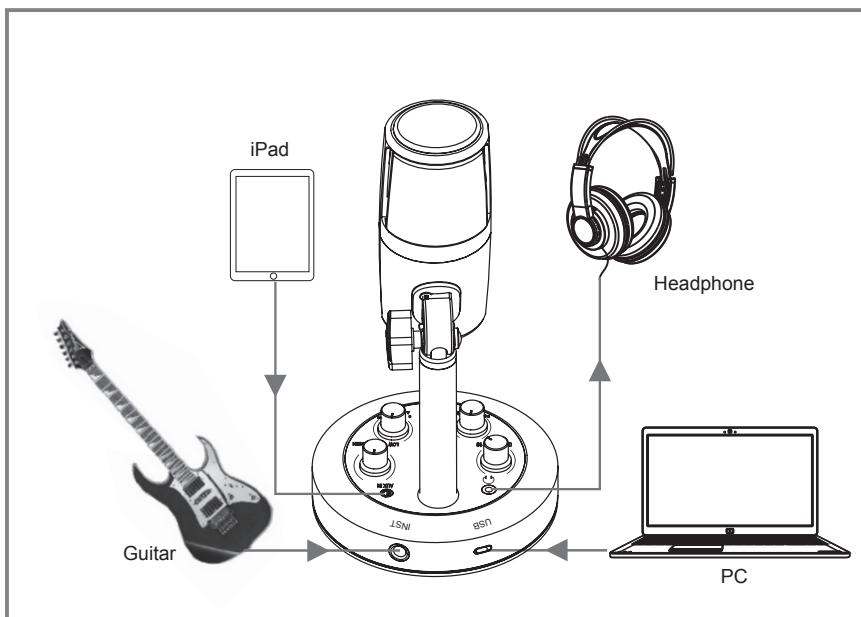
7. AUX IN: 3.5m stereo mini jack, connects to ipod, smart phone such similar devices.
8. INST GAIN: adjusts inst volume.
9. AUX LEVEL: adjusts aux in volume.
10. Input level indicator, avoids sound distortion.
11. Output level indicator, avoids sound distortion.
12. USB: USB YTYPE C connector, connects to PC such similar devices.
13. INST: instrument connector, connects to guitar such similar devices.

ANGLE ADJUSTABLE FUNCTION



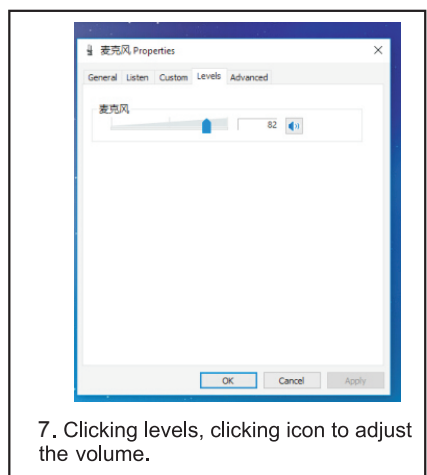
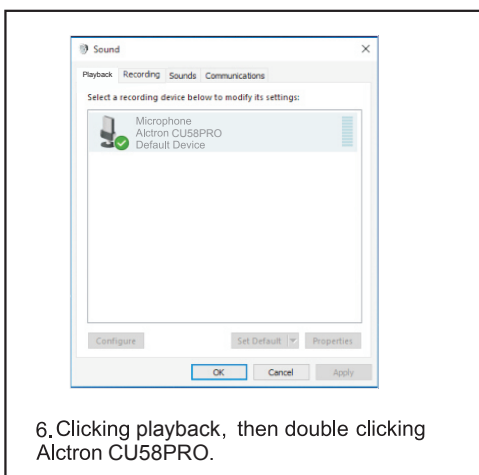
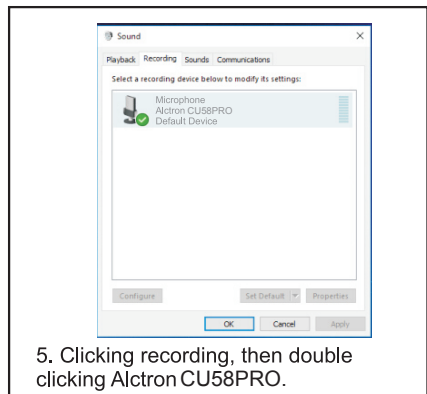
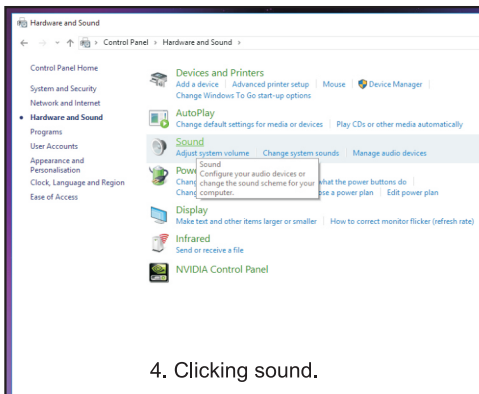
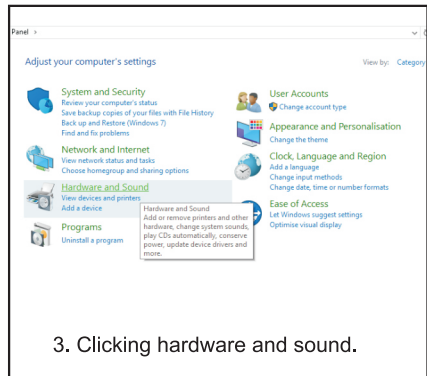
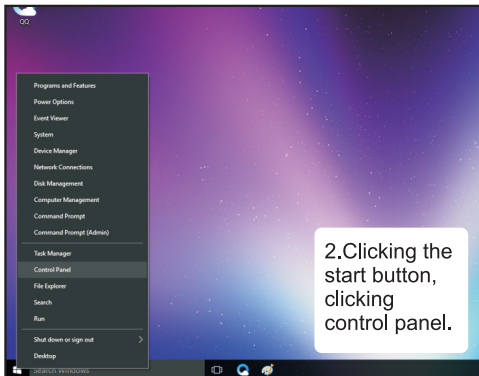
Loosen the safety knob, switching the mic into ideal picking up position, then lock the safety knob.
(Adjustable angle from is about 0°-45°)

CONNECTION



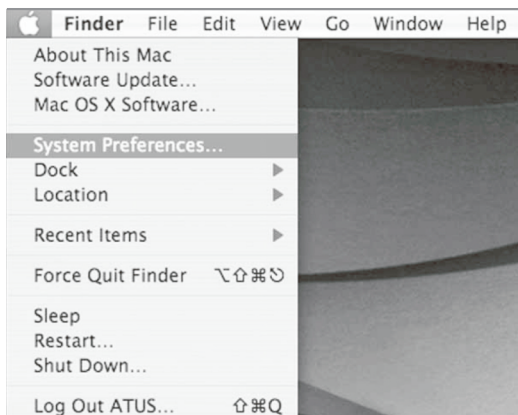
PRELIMINARY SET UP WITH WIN10

1. Plug the free end of the USB cable into the USB port on your computer. Your computer will automatically recognize the USB device and install a driver.

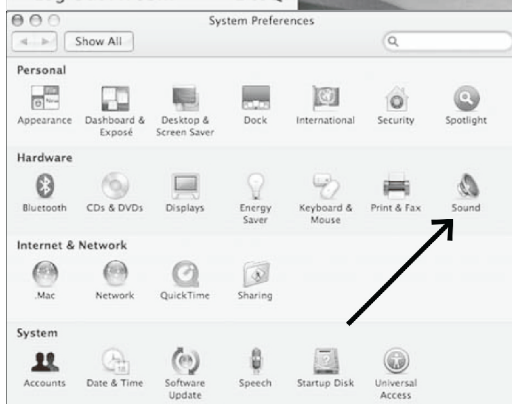


PRELIMINARY SET UP WITH MAC

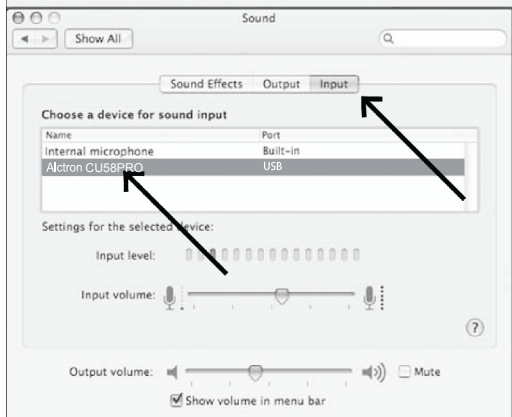
1. Plug the free end of the provided USB cable into the USB port on your computer. Your computer will automatically recognize the USB device and install a driver.



2. To select the Alctron CU58PRO-USB as your audio input, first, open your System Preferences.



3. Next, click Sound to display the Sound preference pane.



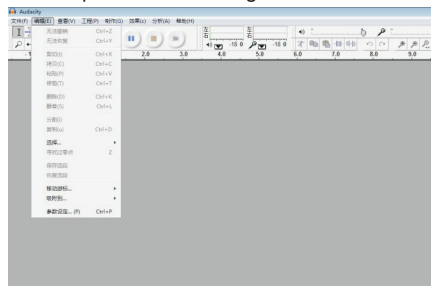
4. Click the Input tab and select the Alctron CU58PRO-USB as the device for sound input.

5. Your preferences are now set to use the Alctron CU58PRO-USB on your Mac with recording program of your choice.

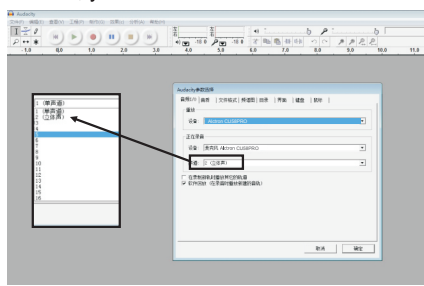
RECODING SETTING

Taking the audacity recording software as an example, other similar software's setting method is the same:

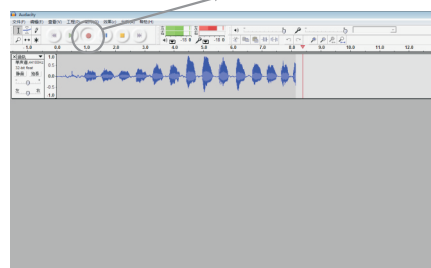
1. After download, click audacity, Choice "edit"-specification setting.



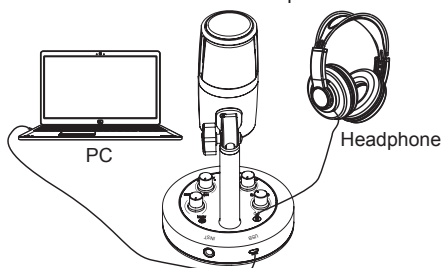
2. Pop up below screen, click the option as shows, you can choice stereo or mono.



3. Click red icon, begin to recording. Red icon



4. When starting recording, sound resource should aim to the side which printed "Alctron"



SPECIFICATION

- * Capsule: 3*16mm electrets capsule
- * Polar pattern: cardioid, omni, figure-8 and stereo
- * Frequency response: 20hz-20khz
- * Sensitivity: -38dB±3dB
- * Dynamic range: 96dB
- * Max SPL: 110dB
- * Sampling rate: 24bits/96khz
- * Output connection: USB TYPE C

Copyright © Ningbo Alctron Electronics Technology CO.,LTD. All rights reserved. Specifications and appearance subject to change without notice.

Ningbo Alctron Electronics Technology CO.,LTD.
 No.76 SanCheng Road, XiuFeng Industrial Area,GaoQiao Town, NingBo, China.
 Tel:+0086 574 87150672
 Fax:+86 574 87157176
 E-mail:info@alctron-audio.com
 www.alctron-audio.com

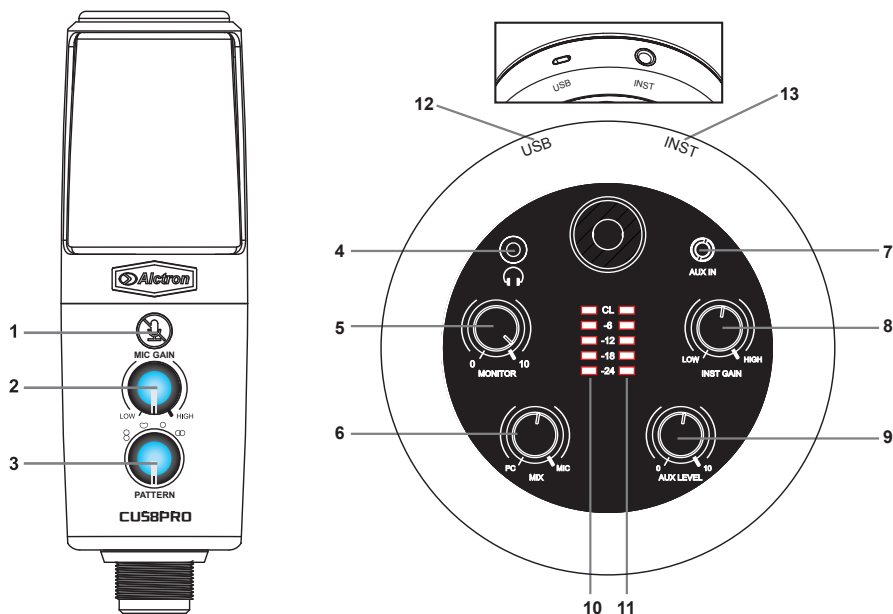
安全须知

- * 请勿将麦克风存放在阳光直射下、暖气设备附近或湿热或多尘的地方；
- * 请勿将本产品安装在热源附近，如暖气片，炉子或者其它产生热量的设备（包括功放器）；
- * 请勿使麦克风受到强烈撞击；
- * 请勿拆卸或改造麦克风；
- * 请用干布清洁本产品；
- * 长时间使用本产品时，麦克风部分可能会因紫外线（特别是阳光直射）或磨损而变色。

产品介绍

CU58PRO是一款拥有三个音头四种指向性的多指向性USB麦克风。精心挑选的电路元器件能更好地优化音头的表现力。采用24bit/96KHZ高速采样率处理芯片，回归清晰自然音质。此话筒设有功能性旋钮和独立的音量调节电位器，底座上带有输入输出音量大小的显示屏能够更好地方便您了解话筒的运行。话筒和支架的角度可调能够使话筒位于理想的拾音位置。

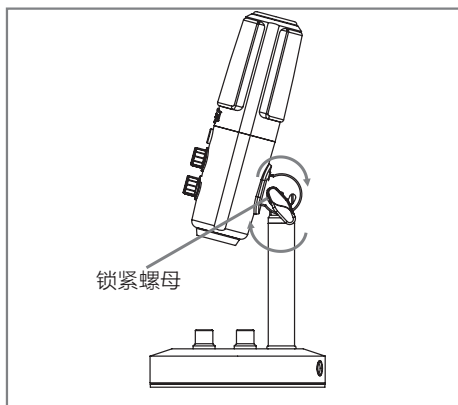
功能介绍



1. 按下这个按键能够使麦克风处于静音的状态。
2. MIC GAIN: 快速的调节您的麦克风的灵敏度使它处于适合的状态。
3. PATTERN: 转动这个旋钮能快速的的变化指向性（4种指向性：心型，圆型，八字型，立体声）。
4. 标准3.5mm耳机插孔。
5. 调节耳机输出音量。
6. 用于调整话筒的信号，以及电脑/设备上的音频录制软件播放的声音直接的比例。逆时针旋转按钮，话筒信号会变大，电脑/设备上的信号会变小。顺时针旋转按钮，电脑/设备上的信号会变大，话筒信号会变小。（您可以从旋钮中心位置开始调整，真确保您听到的麦克风信号和电脑/设备信号两者的均衡效果，使您能够实现信号之间的平衡。）
7. AUX IN: 3.5mm立体声辅助输入接口，连接手机或IPAD此类相似产品。
8. INST GAIN: 调节乐器音量大小。

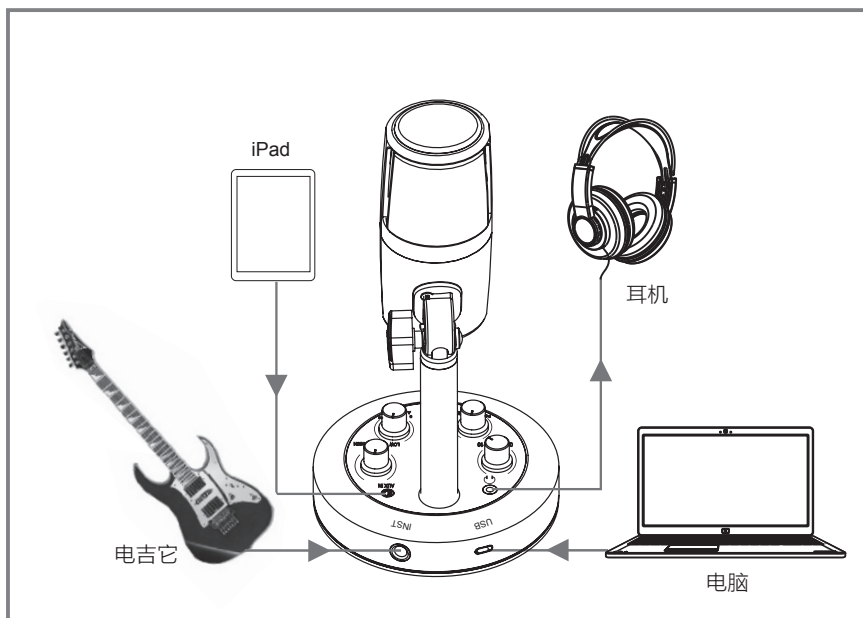
- 9、AUX LEVEL：调节辅助输入信号的音量大小。
- 10、输入电平大小指示灯。
- 11、输出电平大小指示灯。
- 12、USB：USB YTYPE C接口，连接电脑此类设备。
- 13、INST：乐器接口，连接吉他此类类似的乐器。

角度调节功能



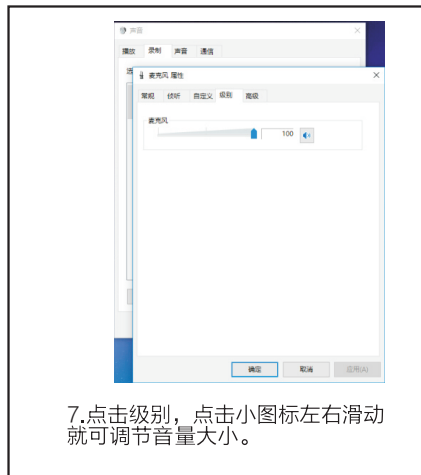
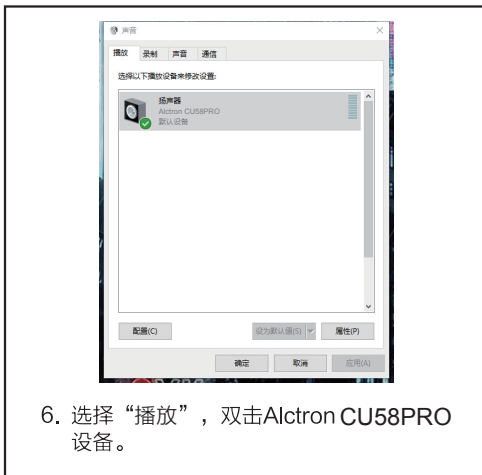
拧松锁紧螺母，将麦克风位于理想的拾音位置，将锁紧螺母拧紧即可（可调节度约为 0° - 45° ）

连接



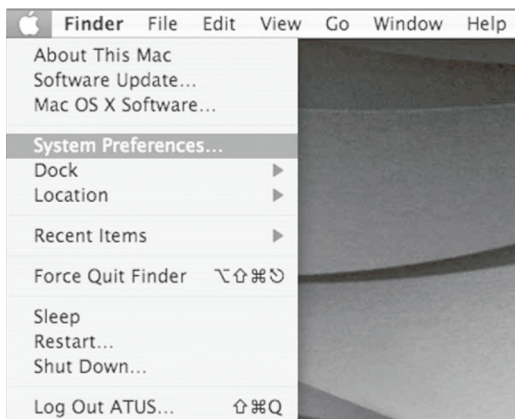
WIN10的初步设置

1.把USB 连线的另一端插入计算机上的USB 端口，您的计算机会自动识别USB 设备并安装驱动程序。



MAC的初步设置

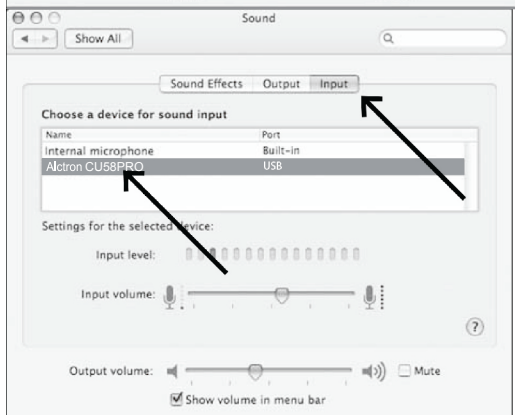
1. 把USB连线的另一端插入计算机上的USB端口,您的计算机会自动识别USB设备并安装驱动程序。



2. 选择“Alctron CU58PRO”,作为音频输入, 打开“System Preferences”。



3. 点击“Sound”。



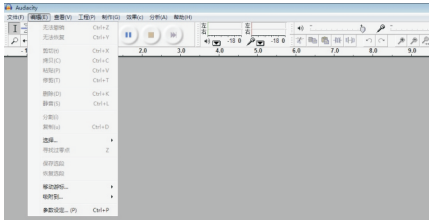
4. 点击“Input”并且选择“Alctron CU58PRO-USB”作为声音输入设备。

5. 接下来您就可以用录音软件进行录音了。

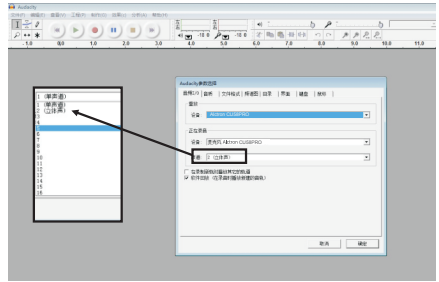
录音软件设置

以Audacity录音软件为例,其它类似软件设置方法一样:

1. 下载好软件后, 点击进入软件页面, 选择编辑-参数设定

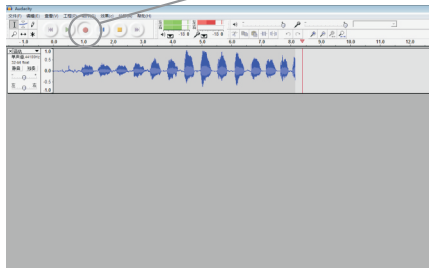


2. 会出现以下窗口, 选择跟画面一样的选项, 声道可以选择立体声或者单声道。

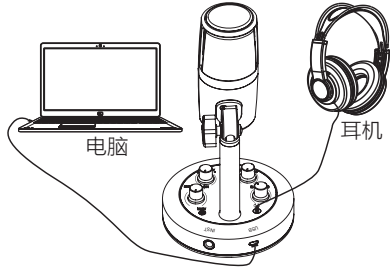


3. 点击红色图标, 开始录音。

红色图标



4. 当您开始录音的时候, 音源要对准印有 "Alctron" 字样的那面。



产品参数

- * 音头: 3*16mm驻极体音头
- * 指向性: 心型, 圆型, 八字型和立体声
- * 频响: 20hz-20khz
- * 灵敏度: -38dB ± 3dB
- * 动圈范围: 96dB
- * 最大声压级: 110dB
- * 采样率: 24bits/96khz
- * 输出接口: YTYPE C USB接口

版权所有©宁波奥创电子科技有限公司,所有权保留。必要的技术数据和外观更改恕不予以另行通知。

宁波奥创电子科技有限公司

地址: 浙江省宁波市海曙区秀丰工业区三成路76号

电话: 0574-88011699

传真: 0574-87157176

邮箱: sales@alctron-audio.com

网址: <http://www.alctron-audio.com> 全国统一服务热线: 4000-160-112