

## PF52 DESKTOP ACOUSTIC SCREEN

### GENERAL INTRODUCTION

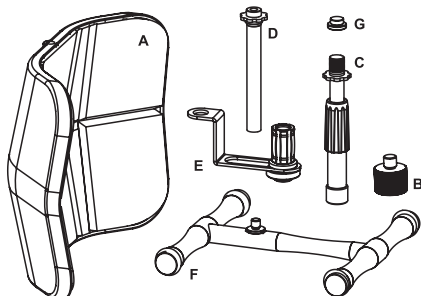
PF52 is a desktop acoustic screen which designed to improve the quality of voice recording captured in your home studio, rehearsal studio and other recording environment. PF52 made by plastic and polyester fiber, in some way it helps screen isolating unwanted noise from outside. Its lightweight and space-saving makes PF52 easy to carry out. It also features adjustable handle, you can adjust the height and angle by related thumbscrew until you get an ideal recording position.

### INSTALLATION INSTRUCTIONS

1

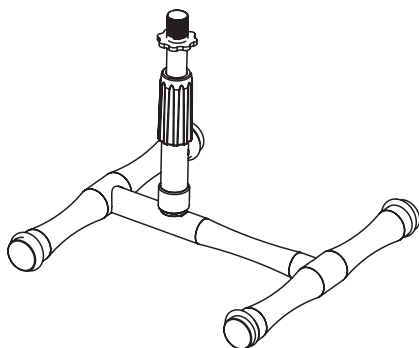
#### COMPONENT:

- A. Microphone screen
- B. Threaded thumbscrew for screen
- C. Extension mic screen stand with thread
- D. Extension mic stand with thread
- E. Sliding assembly
- F. Mic screen base
- G. Jacking block

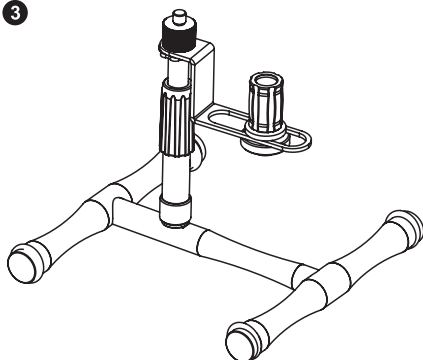


2

Fix extension mic screen stand with thread(C) into mic screen base(F).

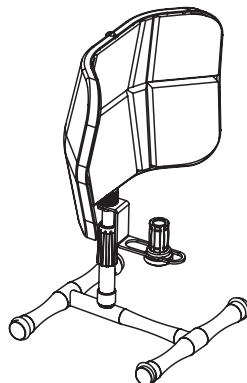


3



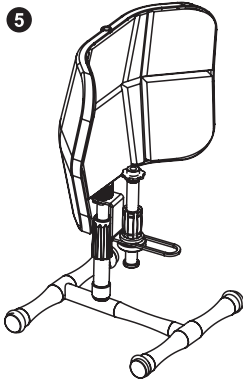
Insert the sliding assembly(E) into extension mic screen stand with thread(C), then fix the threaded thumbscrew for screen(B) into mic screen stand with thread(C).

4



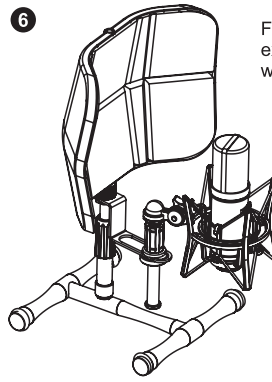
Fix the microphone screen(A) into threaded thumbscrew for screen(B).

5



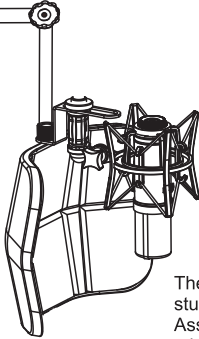
Insert the extension mic stand with thread(D) into sliding assembly(E), then lock it.

6

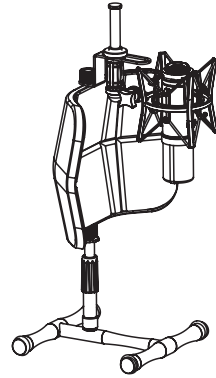


Fix the mic into extension mic stand with thread(D).

7

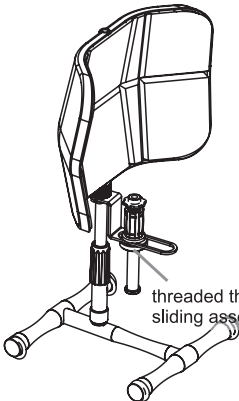


The microphone screen may be used with a studio boom that features a down extension. Assembly is the same except the screen and mic are inverted.

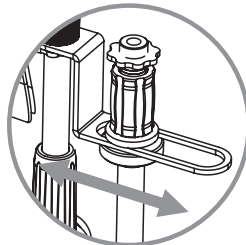


**NOTE:** when extension mic stand with thread(D) is in the highest position or down extension, use jacking block(G) to lock it.

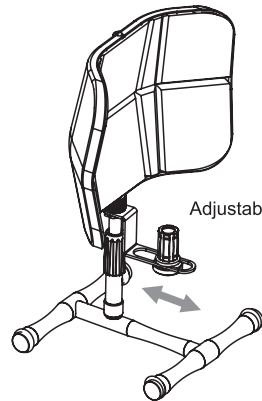
## PRODUCT APPLICATION



threaded thumbscrew for sliding assembly.

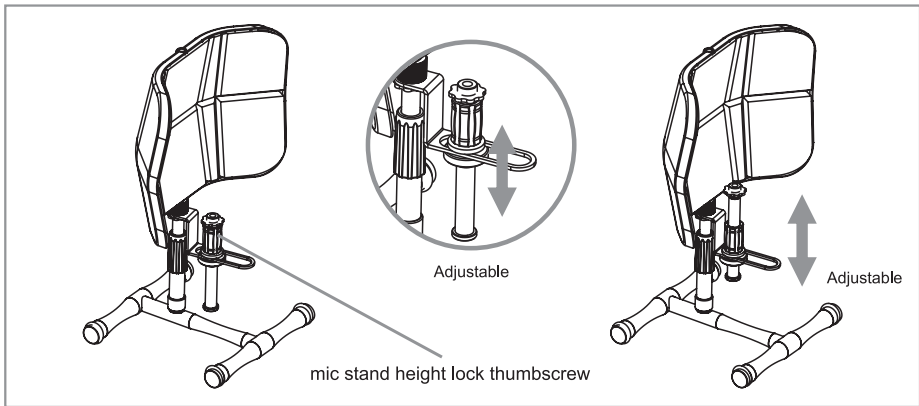


Adjustable

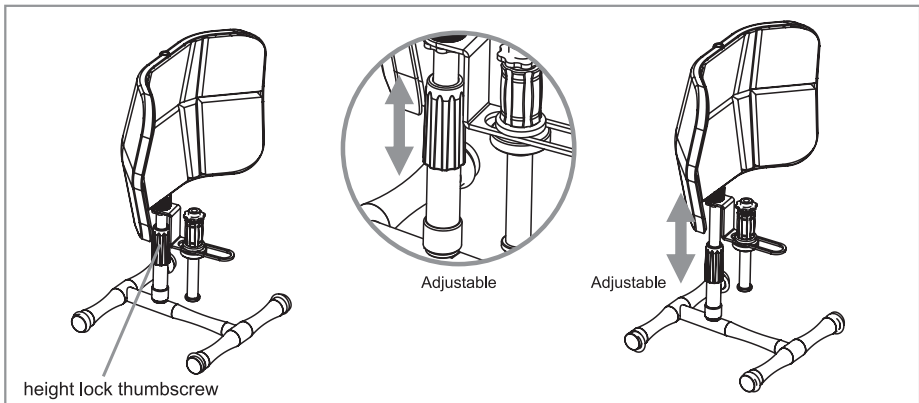


Adjustable

Loosen the threaded thumbscrew for sliding assembly(E), you can horizontal adjust the position of microphone through extension bar. Until microphone in the proper position, then you can fix the threaded thumbscrew for sliding assembly.



Loosen the mic stand height lock thumbscrew on extension mic stand with thread(D), you can vertical adjust the mic height by your own willing. Until microphone in the proper position, then you can fix the mic stand height lock thumbscrew.



Loosen the stand height lock thumbscrew on mic screen stand with thread(C), you can vertical adjust the position of microphone screen(A) by your own willing. Until mic screen in the proper position, then you can fix the stand height lock thumbscrew.

After finish above steps, you can begin to recording. If you still unsatisfied with the position, you can according to the above steps readjust the position, until you get your satisfied position.

## SPECIFICATION

- \* Windscreen size (length\*width): 310mm x 230mm
- \* Base size (length\*width): 220mm x 220mm
- \* Mic stand adjustable height: 0-60mm
- \* Mic screen stand adjustable height: 0-40mm
- \* Net weight: 1137g

Copyright © Ningbo Alctron Electronics Technology CO.,LTD. All rights reserved. Specifications and appearance subject to change without notice.

Ningbo Alctron Electronics Technology CO.,LTD.  
 No.76 SanCheng Road, XiuFeng Industrial Area,GaoQiao Town, NingBo, China.  
 Tel:+0086 574 87150672  
 Fax:+86 574 87157176  
 E-mail:info@alctron-audio.com  
 www.alctron-audio.com

## PF52桌面声学防风屏

### 产品介绍

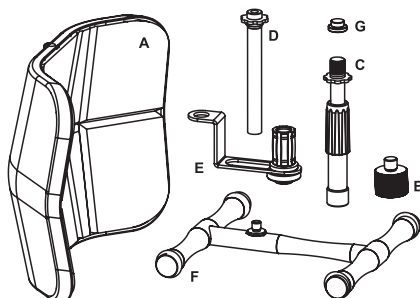
PF52是一款桌面声学防风屏，可以在您家庭录音，排练或者其它录音环境中来提高您的录音音质。聚酯纤维和塑料的材质在一定程度上隔离了来自外界的噪音。其轻盈小巧的造型使得PF52携带轻松方便。此款防风屏带有可调节高度的手柄，您可以通过调节手柄来使麦克风位于理想的拾音位置。

### 安装说明

1

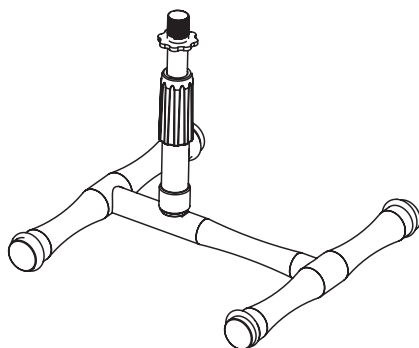
部件名称：

- A. 防风屏
- B. 防风屏固定螺栓
- C. 防风屏延伸杆
- D. 话筒支架延伸杆
- E. 滑动组件
- F. 防风屏底座
- G. 顶块

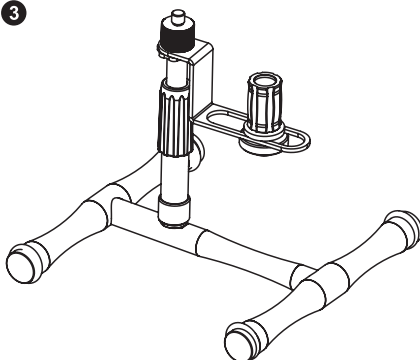


2

将防风屏延伸杆 (C) 旋入防风屏底座 (F)。

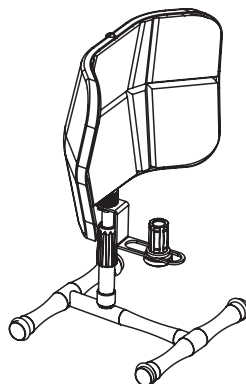


3

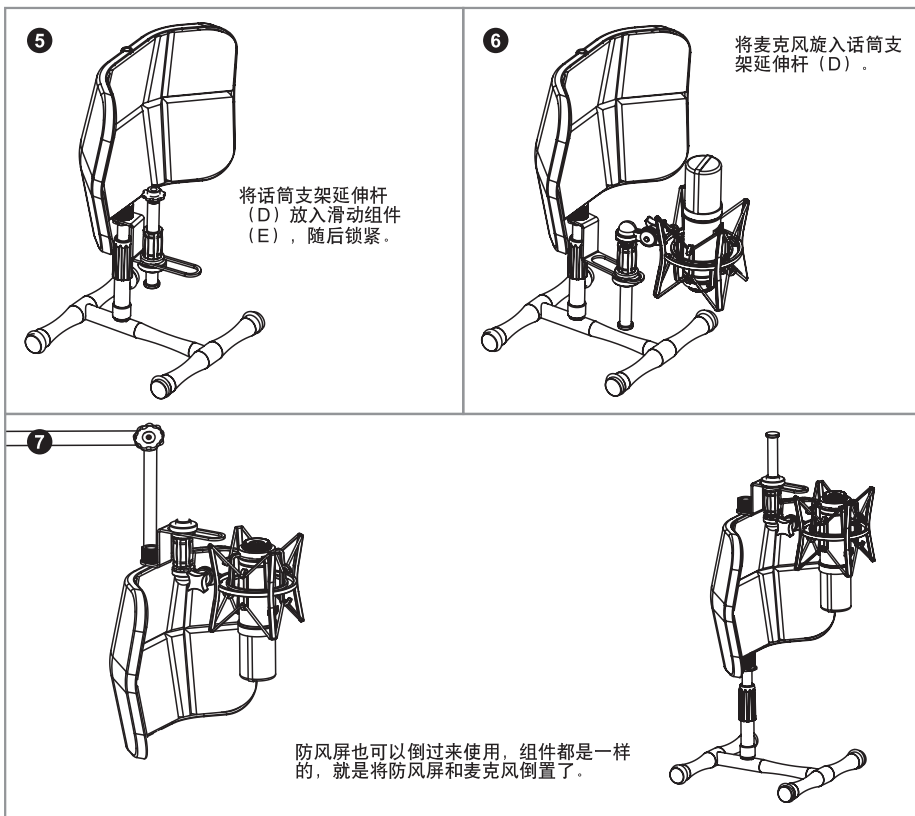


将滑动组件 (E) 放入防风屏延伸杆 (C)，随后将防风屏固定螺栓 (B) 旋入防风屏延伸杆 (C)。

4

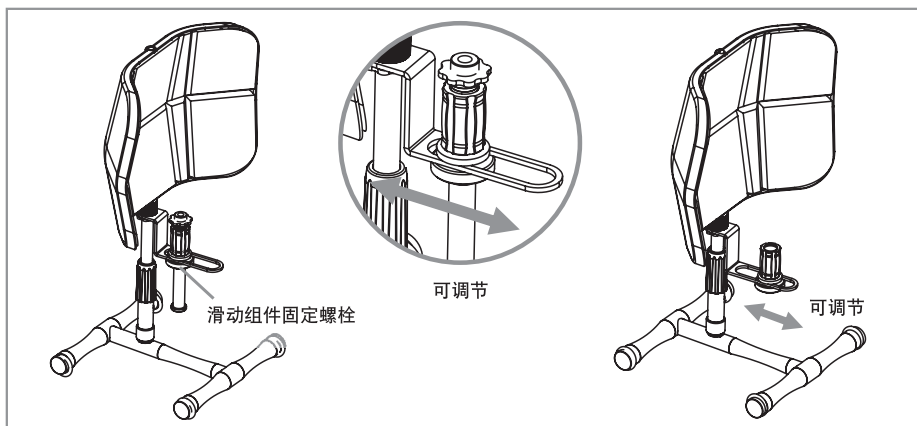


将防风屏 (A) 旋入防风屏固定螺栓 (B)。

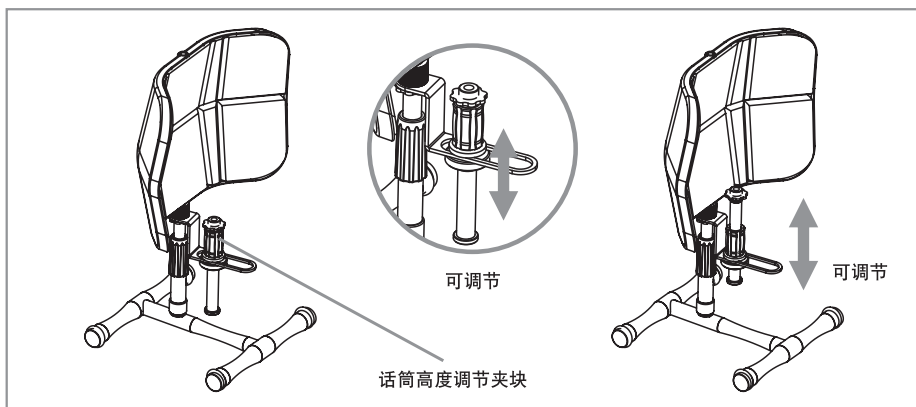


注意：当话筒支架延伸杆 (D) 处于最高位置或者防风屏倒置的时候，用顶块 (G) 在话筒支架延伸杆 (D) 将其固定。

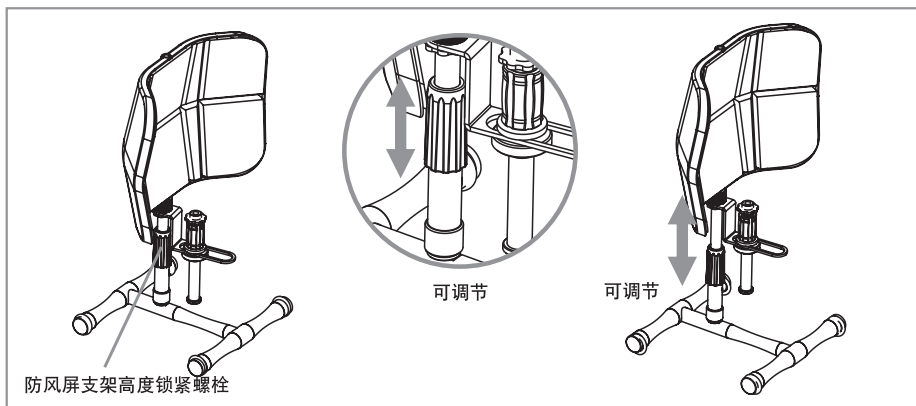
## 产品应用



拧松滑动组件固定螺栓，沿着滑动组件 (E) 水平的调节麦克风的位置。直到麦克风位于合适的位置，随后锁紧滑动组件固定螺栓。



拧松话筒支架延伸杆 (D) 的话筒高度调节夹块，您可以在垂直位置自由调整麦克风位置。直到麦克风位于合适的位置，随后锁紧高度调节夹块。



拧松防风屏延伸杆 (C) 的防风屏支架高度锁紧螺栓，您可以垂直位置自由调整防风屏 (A)，以便防风屏位于合适的位置，随后锁紧支架高度锁紧螺栓。

完成上述步骤后，您就可以开始录音了，如果您对这个位置不满意，您可以按照上述步骤再调整一下，直到调整到您想要的效果为止。

## 参数

- \* 防风屏尺寸 (长\*宽): 310mm x 230mm
- \* 底座尺寸 (长\*宽): 220mm x 220mm
- \* 话筒支架可调高度: 0-60mm
- \* 防风屏支架可调高度: 0-40mm
- \* 净重: 1137g

版权所有©宁波奥创电子科技有限公司,所有权保留。必要的技术数据和外观更改恕不另行通知。

宁波奥创电子科技有限公司

地址: 浙江省宁波市海曙区秀丰工业区三成路76号

电话: +86 574 87150673

传真: 0574-87157176

邮箱: sales@alctron-audio.com

网址: <http://www.alctron-audio.com>

全国统一服务热线: 4000-160-112