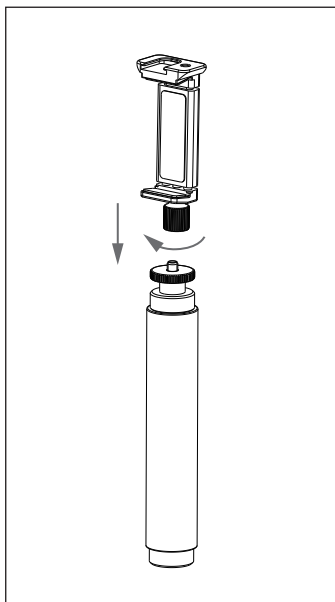


PHD30 PHONE STAND WITH CAMERA SHOE

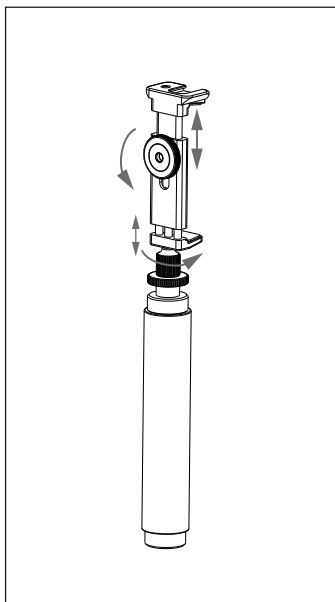
GENERAL INTRODUCTION

PHD30 is a phone clamp stand with camera shoe. We adopt CNC precision cutting and anodic oxidation spray processing, anti-skid and fashion. Its chamfered design makes product concise and comfortable. The clamp width adjustable ensures clamp suitable for most smart phones. Its handle outside circles high quality EVA provides comfortable handling. The slim and lightweight body ensures easy to carry out without any pressure.

INSTALLATION

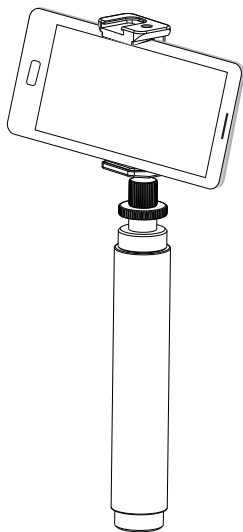


Switches the phone clamp into handle stand tightly.



Loosen the related thumbscrew to adjust the clamp height.

APPLICATION



SPECIFICATION

- * Clamp height adjustable range: 61mm-97mm(36mm)
- * Handle length*width: 180mm*32mm
- * Material: alum-alloy
- * Net weight: 222g

Copyright © Ningbo Alctron Electronics Technology CO.,LTD. All rights reserved. Specifications and appearance subject to change without notice.

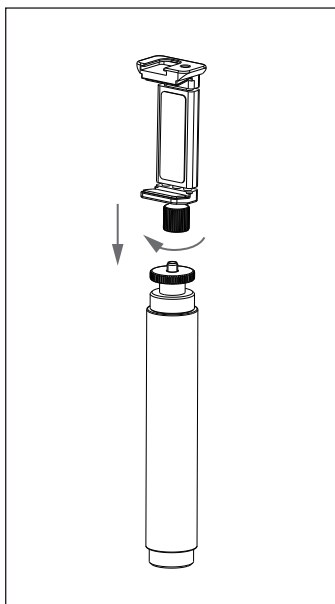
Ningbo Alctron Electronics Technology CO.,LTD.
No.76 SanCheng Road, XiuFeng Industrial Area,GaoQiao Town, NingBo, China.
Tel:+0086 574 87150672
Fax:+86 574 87157176
E-mail:info@alctron-audio.com
www.alctron-audio.com

PHD30热靴手机架

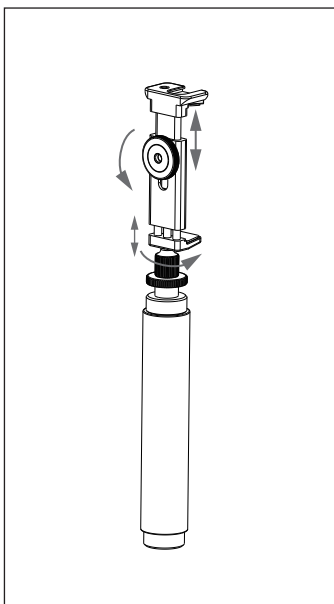
产品简介

PHD30是一款热靴手机架。采用CNC精工切割工艺，阳极氧化喷砂工艺，美观防滑。采用倒角设计，简洁舒适。宽度可调功能使得PHD30适用于绝大多数的手机。手柄外围是一圈高质量的EVA，给您提供一种舒适的手握感。轻巧纤细的支架，外出携带方便，无压力。

安 装

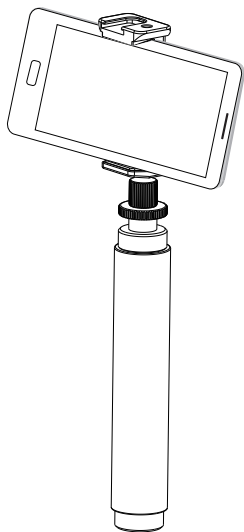


将手机夹块旋入手柄支架。



拧松相应的螺母调节夹块高度。

应用



产品参数

- * 夹块可调高度：61mm-97mm (36mm)
- * 手柄长*宽：180mm*32mm
- * 材质：铝合金
- * 净重：222克

版权所有©宁波奥创电子科技有限公司,所有权保留。必要的技术数据和外观更改恕不另行通知。

宁波奥创电子科技有限公司

地址：浙江省宁波市海曙区秀丰工业区三成路76号

电话：0574-88011699

传真：0574-87157176

邮箱：sales@alctron-audio.com

网址：<http://www.alctron-audio.com> 全国统一服务热线：4000-160-112