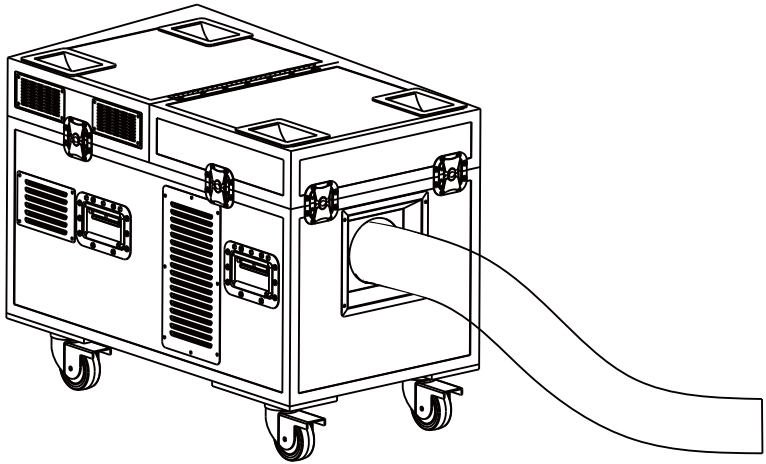




[PRO STAGE EFFECTS]



X-SW2000 USER MANUAL

WATER-FOG MACHINE

◆ Foreword

Thank you very much for choosing DJPOWER X-SW2000 Water-fog machine.

Before start operating, we strongly suggest you to read the user manual carefully. Following the instructions here will ensure your safety while operating the machine, easily achieve the best effect, as well as understand the right way to care for and maintain the machine, hence to prolong the product life cycle.

◆ Product Description

X-SW2000 Water-fog machine is a model which uses ultrasonic to mix the water and fog, and then make the fog on the ground. It eliminates the need for CO₂, dry ice, or separate fog machines, with low using cost, no damage to the environment and the human body. Take up small space while using. It adopts the LCD controller with bilingual (English and Chinese) operation interface, which is very easy for user. It can set up the timing, volume, duration and DMX-512 .

◆ Features

- 1.Longlasting body design with austenite welding and anti-corrosive primer.
- 2.Water tank comes with drain hole to prevent leakage upon transportation.
- 3.Advanced No-fluid protection for safety use;
- 4.Enhanced duct material, making the product lightweight, portable and durable.
- 5.LCD display, supports DMX-512 control.
- 6.Individual oil tank. Convenient and easy for use.
- 7.Clear fluid level display.
- 8.Attention: Only use DJPOWER fog fluid PRO-V/PRO-A/PRO-D to prevent clogging !
- 9.DJPOWER PRO-V fog fluid provides an awesome Quick Dissipation effect.

◆ Attentions

- Please keep the machine dry. For indoor and outdoor use.
- Use grounded electrical outlet. Prior to switching the power supply, make

sure that unit is installed at the rated voltage.

- Please unplug the power plug and power off the machine when stop using.
- This machine is not water-proof. Please keep it away from moisture and water. If moisture, water, or fluid spilling, stop using it.
- No user serviceable and modifiable parts inside. Do not disassemble the housing and do any modification, otherwise it might cause damage to the unit or danger of burning.
- For adult use only. Fixture must be installed out of the reach of children. Never leave the unit running unattended. Keep it away from fire, inflammable and explosive materials.
- Position the machine in well-ventilated area. Please leave about 50cm spaces surrounding the unit.
- Please do not use the fixture under high temperature.
- Never add flammable liquids of any kind(oil, gas, perfume) to the fog liquid.
- If something wrong happens while using, please stop the fixture immediately, cut off the power, and check the fog liquid amount, fuse, power cable and power plug. If problem could not be resolved, please contact with your dealer.
- Please use DJPOWER professional fluid PRO-V/PRO-A/PRO-D. Other consumables might cause fluid splash or clogging.
- Never drink liquid. If it is ingested, call a doctor immediately for any discomfort. If liquid comes in contact with skin or eyes, rinse thoroughly with water.

◆ **Dismantling and inspecting machines**

Please open the package to confirm all the equipment is complete, and check whether there is any damage during transportation. If there is any damage, please do not plug into use, and immediately contact your supplier.

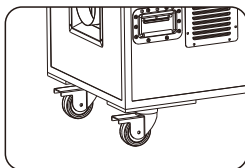
◆ **What is included**

1. X-SW2000 machine×1
2. Diversion pipe × 1
3. W-4 Remote wireless control×1
4. Power Cord × 1
5. User Manuel × 1

◆ Installation

1. Wheels at the bottom of the X-SW2000 coordinating removable, diagonal wheel set fixer, the machines will be placed in the designated, the pressure fixing device to fix the machine to avoid sliding, only need to reverse direction under the pressure of the fixator can move the machine.

Note: due to the large size of the machine, please do not put the machine on the slope.



2. Connect the power wire one set with machine (please make sure the power switch on / off in off condition), please plug (male plug) alignment on the machine female socket, after insertion along the clockwise rotation of about 10 degrees, until power line completely being fixed.
3. Connected with the machine and diversion pipe, the length of the diversion pipe is 3 meters, can be adjusted in accordance with the length of time.
4. Fill with DJPOWER professional fluid PRO-V/PRO-A/PRO-D into fluid tank, and screw up the bottle cap tightly.

◆ Operation

1. Connect the power cord to the machine. Please make sure the required and provided electricity voltage and the electricity outlet is grounded, turn on the red power button. the LCD panel will display "WARMING UP". When the heating up is finished, LCD display will show "Ready to fog".
2. Please refer to LCD-4 control panel operation instruction to set up the machine.
3. X-SW2000 support DMX-512, with built-in 3-pin and 5-pin sockets, please refer to DMX operation instruction for more information.
4. When operate the machine at first time, please wait to heat up and LCD controller show "Ready to fog", and then press the "Volume" function key to start work.

◆ W-4 wireless remote controller



Press "ON", machine starts to work, press "OFF" again, machine stops
When controlled by wireless controller, the output volume will follow accordingly the setting up by LCD "Volume OUT". For example, when controlled by wireless controller, if the "Volume Out" on the LCD is set as 1%, the output will be at lowest volume. if the "Volume Out" on the LCD is set as 100%, the output will be full on.

Notice:

- ① When the unit is powered on, and the wireless status is ON, the LCD display will show "wireless setup". In such case, user can register pair the wireless remote by pressing "Lock" button for 1s on the remote. If the LCD display flickers twice, the pairing is successful.
- ② If the wireless function is off (the LCD shows "Wireless Set Off") When the unit is powered on again, the LCD display will not show "wireless setup"
- ③ Wireless control is invalidated when controlled by DMX.

◆ LCD-4 control



LCD display has Chinese and English for alternative to cater to different customers' demands.
Please take note LCD control is invalidated when the unit is connected to DMX.
4 buttons on the LCD controller.

- "MENU" : Menu pages selection (different pages for different status);
- "UP" : Increase, multiplex "TIMER" button;
- "DOWN" : Decrease, multiplex "VOLUME" button;
- "ENTER" : In/Out,multiplex "stop" button ;

Press " MENU " button to switch different pages,10 pages in all:

Page 1: "Ready to fog"
the machine is ready to work

Page 2: "Interval Set"

Set the interval of timer mode, adjustable from 5~200s□

Page3: " Duration Set "

Set the duration of timer mode, adjustable from 5~200s

Page 4: " Timer Out "

Set the output volume of "Timer" mode, adjustable from 1%~100%

Page 5: " Volume Out "

Set the output volume of "Volume" mode, adjustable from 1%~100%

Page 6: " Fan Speed "

Set the fan speed, adjustable from1%~100%

Page 7: " Fluid Sensor "

Turn on/off no-fluid protection function

Page 8: " DMX512 Address "

The DMX address can be set up from 1 to 512;

Page 9: " Wireless Set "

To turn on/off the wireless function

Page 10: " Direct Timer "

Turn on/off " Direct Timer " function. When power is on again, continue " Timer " working mode from last time power cut off.

Under any setting pages, press STOP to exit or return to the page one.

When the unit is working, press STOP to stop running and return to the page one.

After enter into different setting pages, press UP and DOWN to change the value.

When it is in the page one, press TIMER button to enter into timer mode, the detail is as below:

- ① " Interval 10s "
- ② " Duration 10s "

The two pages will display circularly, according to the time (such as 10 s) will be subject to the current set of values (1 and 2 set of page).

In the condition of timing, the smoke volume is controlled by the Timer Out.

When in the first page ,it's available to press " VOLUME ", and ready to work, description is as below:

When enter the work stage , the smoke volume is according to the “ Volume Out ”

◆ DMX Control

When the unit is connected to DMX, LCD display will show the address value only. In such case, press UP and DOWN button to change the 512 address.

◆ DMX channels

Channel 1: fan speed, 0~10 OFF; 11~255 increase

Channel 2: Output, 0~10 OFF; 11~255 increase

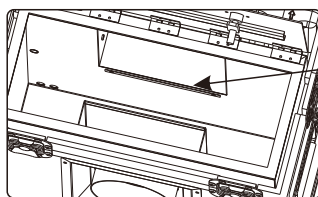
X-SW2000 has built-in 3 pin and 5 pin DMX sockets for connecting DMX controllers. There are 2 channels that output value from 0-255. When connected to the DMX controller, the machine's output interval, duration, volume are all controlled by DMX.

It is allowed to be controlled together with all the other equipments by the same DMX controller.



Other Important Notes

1. Water tank 1 is for storage with pure water. Do not fill any other liquid. When filling water, the water capacity is within the red water level line of the inner tank, otherwise the water will outflow from the backside spill outlet of machine.



WATER LEVEL

2. Water tank 2 is for operating. Do not fill any other liquid. With the aid of pump, the water tank 2 will fill water automatically. No need to open the flight case to check tank No. 2.
3. There is a square black metal partition on the machine left. It is the air intake. Please keep it uncovered and clean.
4. If there is too little smoke output, loud noise or unsmooth fog effect, please turn off the machine immediately, check the fog fluid and water quantity, and controller connection. If no problem was found, turn on the machine

again and check its working status. Please stop working machine to protect it from broken if the failure reason can not be identified. Then contact with DJPOWER agent or local service department. Do not open the machine by your side.

5. X-SW2000 is featured by making fog stay low on the ground. The ground would be wet after long use. Please pay attention to the floor texture and the safety of the people who walk or perform on it.
6. X-SW2000 is a safe and environmental friendly low fog machine, which does not use dry ice. But the fog is a little easy to be blew away. Please pay attention to the influence of fan and air condition.
7. Please drain the water in the water tank No.1, No. 2 before using or transportation of the machine. Please discharge the fluid in the NO. 3 fluid tank.
8. Do not shut down the power when fog output, otherwise it will cause the inner atomization pipe blocked.

◆ Service and Maintenance

1. Please use DJPOWER fluid. It will prolong the lifetime of machines. To avoid danger, it is not allowed to take machine apart by unprofessional man. Neither to refit the machine.
2. Excessive dust, fluid residue and dirt will degrade performance and cause overheating. Remove dust from air vents with air compressor, vacuum or a soft brush. The casing could be cleaned by the damp cloth.
3. Before storing, run distilled water through the heating system to help avoid blocking the electric heating element.
4. It is recommended to run the machine on a monthly basis in order to achieve best performance and output condition.
5. All smoke machine will be blocked because of the inferior liquid or frequent use. Periodic maintenance is necessary for long term use. After 40 hours continuous working, please spray 10-15 times with the detergent composed of 35% vinegar and 65% distilled water.
6. Please properly operate the machine comply with user manual.

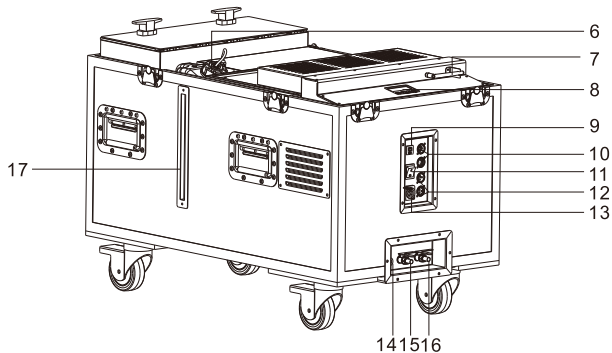
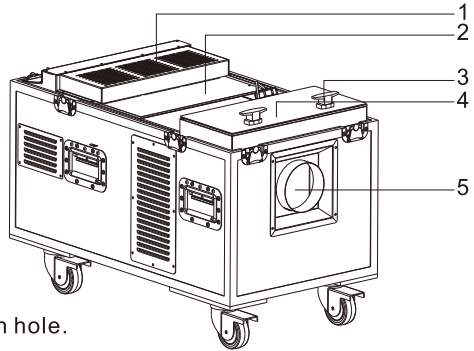
◆ Technical Parameter

Voltage:	AC 100V-120V or AC 220V-240V;50/60Hz
Breaker:	25A/250V (100V-120V) or 15A/250V (220V-240V)
Power:	2,000W
Heat-up Time:	4 min
Output:	15,000cuft/min
Fluid Consumption Rate:	45min/L

Atomization Maximum Duration: 80min
 Max Output Coverage about: 300m²
 DMX Channel: 2
 Wireless Remote Controller: W-4
 Water Tank Total Capacity: 24L
 Tank Capacity: 3.5L
 N.W.: 55kg
 G.W.: 61kg
 Flight Case Size: 860/490/630(mm)
 Package Size: 920/550/675(mm)
 Consumables: PRO-V、PRO-A、PRO-D

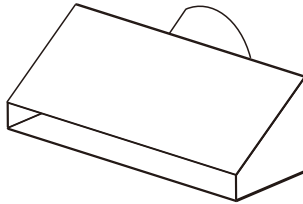
◆ **Diagram**

1. Fan
2. No. 2 water tank
3. Spin lock
4. No.1 water tank
5. Spraying nozzle
6. Fluid tank
7. Antenna
8. LCD display
9. Overload protector
10. 5-pin DMX
11. Power switch
12. 3-pin DMX
13. Input power
14. Water level is higher than the drain hole.
15. The drain hole of NO.2 water tank
16. The drain hole of NO.1 water tank
17. Fluid Level Indicate



◆ Optional accessories

Optional X-SW2000 single Nozzle(Additional payment),Meet the needs of different scenarios.



◆ Fog machine fluid blowout and heater blocking phenomenon analysis

Please use the original consumables, protect your health and life of machine

A.Fluid injection trouble: Refers to the fog fluid atomizing in the heater pipe of the machine is not good, heater temperature cannot be timely and effective transmit to the fog fluid, fog fluid cannot all atomization and lead to fluid injection

First reason: Using the low quality or counterfeit fog fluid, low quality fog fluid have more impurities, easy to adhere to the pipe wall and hindered temperature transmission result in incomplete atomization caused fluid injection.

Second reason: using an incorrect fog fluid. Different fog fluid have different required atomization temperature. If you use the wrong fog fluid result in fluid cannot fully atomization caused fluid injection.

B.Heater blocking trouble: poor atomization fluid injection is the early signs of heater block. Using poor quality fog fluid or not timely maintenance cleaning the fog machine for a long time. Inevitable will appear the terminal symptom of heater blocking.

Reason: heater blocked is because used inferior fog fluid or not maintenance for a long time. Have nothing to do with the quality of machine. Like a car with poor quality gasoline produce poor fluid circuit failure or long-time no maintenance the car will inevitably appear bigger problems. (fig 1)(fig 2)

C.Solutions to these problems: fog machine heating pipes used for a long time and then the pipe wall will easily produce sediments (The more inferior

fog fluid the more impurities thus lead to fluid injection or blocked). All fog machines need regular maintenance (fog machine maintenance cycle for 1 to 2 months/time). Specific maintenance method: after heating the 35% white vinegar plus 65% distilled water and then spray 10 to 15 times

Conclusion: As long as the fog machine with fluid injection or heater blocking after using a period of time. It was caused by fog fluid quality or lack of maintenance, has nothing to do with the quality of the machine. Please use the original high quality fog fluid and timely maintain it, then it can be used for a long time.

