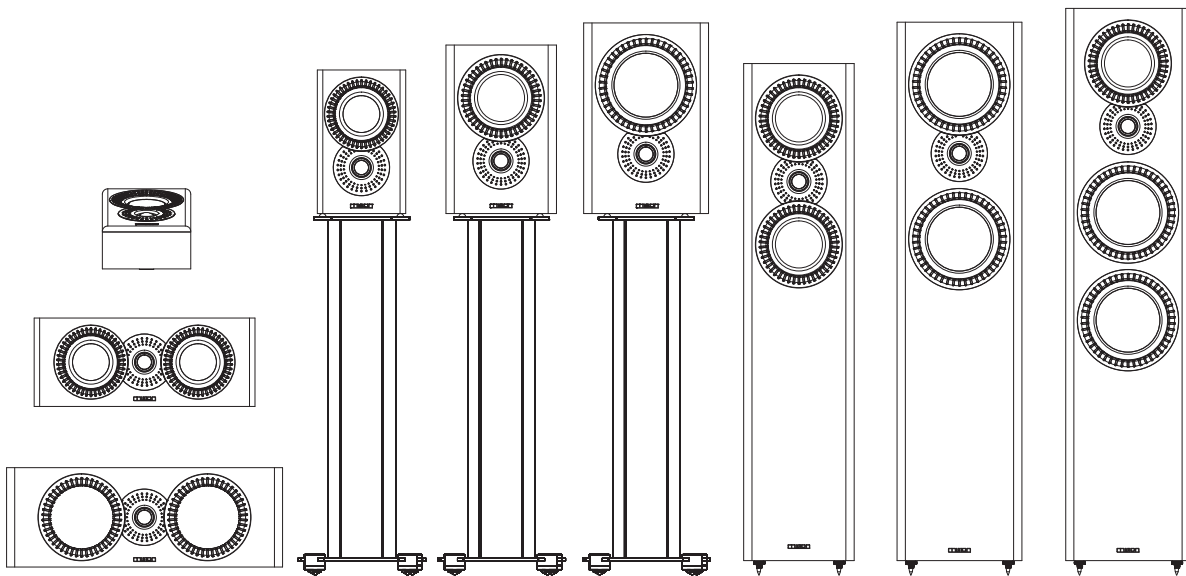


LX-1 MKII  
LX-2 MKII  
LX-3 MKII  
LX-4 MKII  
LX-5 MKII  
LX-6 MKII  
LX-C1 MKII  
LX-C2 MKII  
LX-3D Surround MKII



User's Manual

MISSION

---

# IMPORTANT SAFETY INSTRUCTIONS

Before installing this product read all these instructions!



This symbol indicates that there are important operating and maintenance instructions in the literature accompanying this unit.

Read these instructions. Keep these instructions. Heed all warnings. Follow all instructions.

Before making any connections, switch all the units in your system off at the mains.

Set the volume control at minimum when you switch on your system or change sources, and turn the level up gradually.

DO NOT use your amplifier at full volume.

Ensure that all loudspeakers in the system are correctly wired.

DO NOT subject your loudspeakers to excessive cold, heat, humidity or sunlight.

Loudspeakers should not be placed directly facing other hi-fi units, or share the same shelf or cabinet.

DO NOT place heavy objects on top of loudspeakers.

Some manufacturers forbid the placing of objects on top of their TV sets. Check your TV handbook before installing the speaker directly on your TV set. Consult your TV dealer if you are in any doubt.

DO NOT connect speaker terminals to the mains supply.

DO NOT dismantle the loudspeaker. There are no user serviceable parts inside it and you will void the warranty by doing so. Refer all servicing to qualified service personnel. Servicing is required when the apparatus has been damaged in any way, the apparatus has been exposed to rain or moisture, does not operate normally, or has been dropped.

Caution: Changes or modifications not expressly approved by the manufacturer could void the user's authority to operate this device.

## Unpacking Your Loudspeaker

LX MKII Series loudspeakers come in different shapes and sizes. If you are unpacking a floor stander, please remember that these units are heavy. We suggest that you have someone to assist you.

Lift the loudspeaker carefully out of the packing. DO NOT try and lift the loudspeaker using the protective bag.

Unpack the accessories carefully.

If there is any sign of damage or if the contents are incomplete, report this to your dealer as soon as possible.

Retain the packing for future safe transport of the product. If you dispose of the packing, do so with respect to any recycling provisions in your area.



**WARNING:** When an amplifier is driven beyond its power output capabilities it will produce output capabilities it will produce distorted results which will quickly damage your speakers by overheating. Make sure that your amplifier is not left unattended when playing, for example at parties, and turn the volume control down at the first sign of audible distortion.

---

## Warranty Conditions

No dealer or distributor may vary the terms of this warranty which is personal to the original purchaser and is not transferable.

Please retain the sales receipt as proof of purchase.

Warranty claims must wherever possible be made through the Dealer from whom the equipment was purchased.

This warranty excludes:

Damage caused through neglect, accident, misuse, wear and tear, or through incorrect installation, adjustment or repair by unauthorised personnel. Any unauthorised servicing will result in loss of warranty.

Liability for damage or loss occurring in the transit to or from the purchaser.

Consequent damage, loss or injury, arising from or in conjunction with this equipment.

Equipment for attention under warranty should be considered return carriage paid. If equipment is found to comply with the published specification, Mission reserves the right to raise a charge.

The above conditions do not affect your statutory rights as a consumer.

---

# Welcome to Mission!

Mission is a brand that purveys lifestyle audio that fuses Hi-Fi heritage with contemporary design. Music is the master, technology is the slave. Always.

The LX MKII Series is the latest in a long line of distinguished Mission loudspeakers. These technologically advanced loudspeakers will complement the finest electronics and décor. This series incorporates purpose - designed bass driver cones, precision engineered motor systems and advanced tweeters. All our loudspeaker drive units are manufactured in our factory using the latest precision tooling. High quality binding posts feature on all models. Your Mission LX MKII speakers will bring you great pleasure for many years.

---

## General Information



Please read these instructions carefully before installing your loudspeakers. A few minutes studying this manual will ensure a superb performance from your loudspeaker for many years. Please attention to all cautions printed on the pages marked with this symbol.

---

## Preparing Your Loudspeakers

The Mission LX-4 MKII, LX-5 MKII and LX-6 MKII floorstanding models require fitting with the included spikes before use. Use the screw provided to secure the plinths to the base of the speakers.

Make sure that the screws are fully tightened. After unpacking, the other loudspeakers need no further preparation.

Please remove the foam bungs from the bass port to the rear of the speaker. All LX MKII loudspeakers (except the LX-C1 MKII and C2 MKII) are reflex enclosures. The foam bungs are not generally required but they may be used to alter the bass parameters and damp resonances, especially when operating the loudspeakers next to walls etc.

Place a bung in each speaker port and adjust them in and out as needed, if they are required in your listening environment.

We advise retaining the bungs with your original packaging and manual.

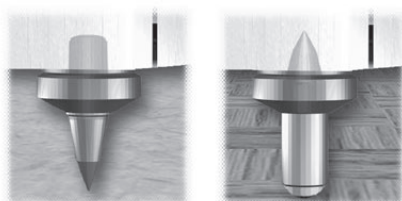
---

## Fitting the spikes



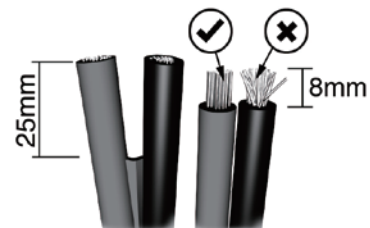
Warning: Be careful. Loudspeaker spikes are very sharp. When positioning the speakers avoid piercing any electrical cables.

- Invert the loudspeaker and place the top on a soft surface.
- Screw a nut on each spike.
- Screw the spikes into the bushes fitted in the base of the cabinet. Use the sharp end on carpet, or the domed end on hard floors.
- Carefully return the loudspeaker to its normal position.
- Ensure that the spikes do not pierce cables etc. under the carpet.
- Adjust the height by screwing in or out one or more of the spikes until the loudspeaker is stable and level

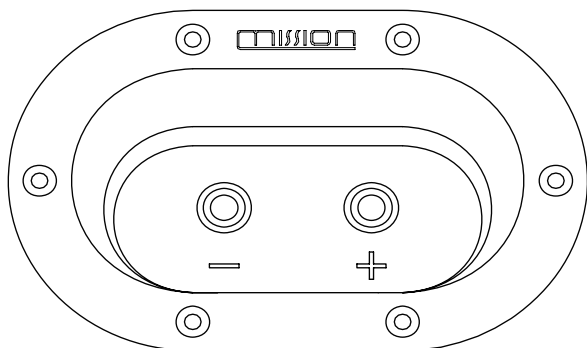


# Connecting Your Loudspeakers

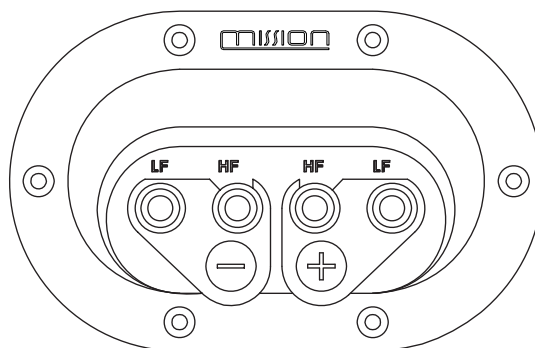
Loudspeaker cable is polarity coded along one edge. Split the cable to a depth of about 25mm and strip 8mm of insulation from each wire. If the cable is stranded, twist the strands to make sure that no stray strands contact the opposing terminal.



## Terminal Panels & Connecting The Loudspeakers



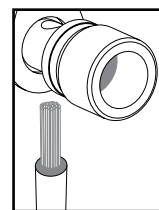
Single-wired (LX-1 MKII, LX-2 MKII and LX-3 MKII)



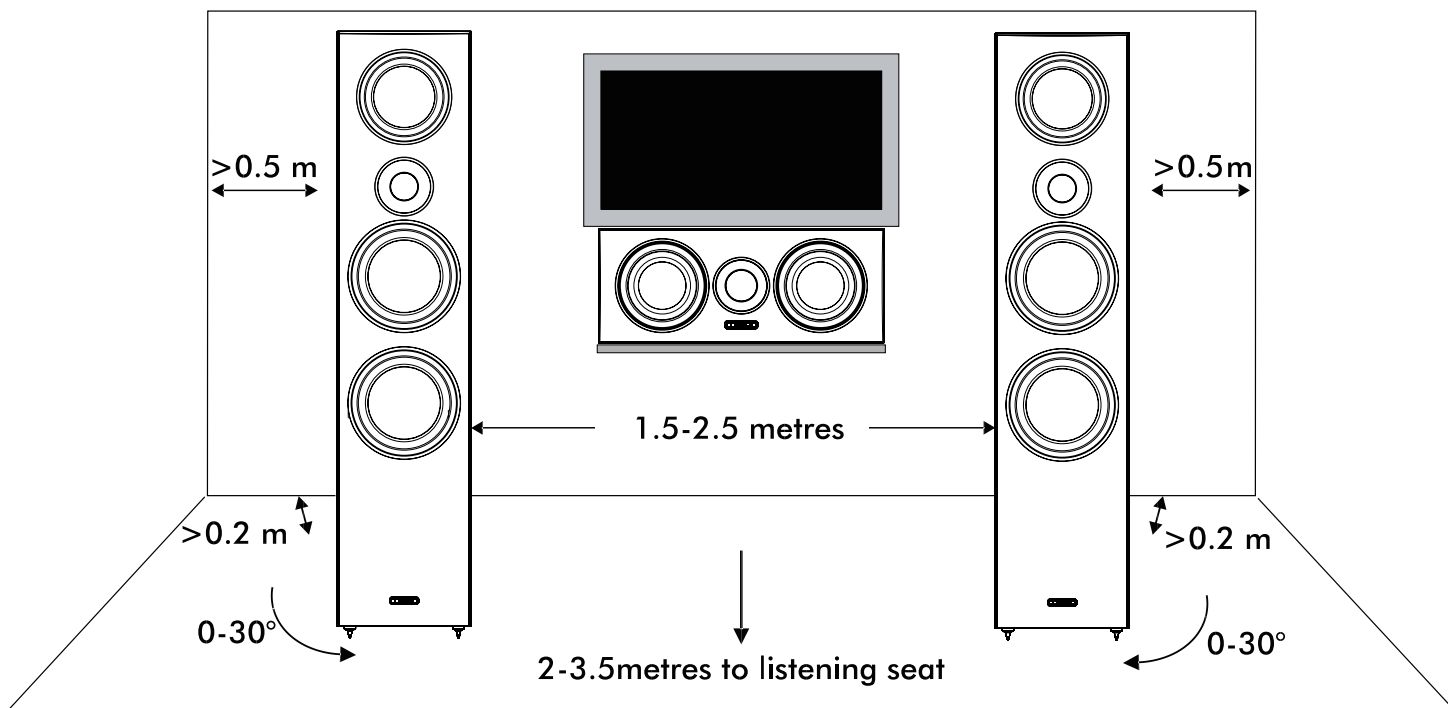
Bi-wired (LX-4 MKII, LX-5 MKII and LX-6 MKII)

Unscrew the terminal and thread the bare end of the cable through the cross hole ensuring there are no loose strands. Tighten securely.

Connect the red, positive (+) terminal of the left loudspeaker to the corresponding red, positive (+) amplifier terminal. Connect the black, negative (-) terminals similarly. Repeat for all channels accordingly.



## Positioning Your Loudspeakers



## Floor Standing and Bookshelf Loudspeakers

Mission LX-4 MKII, LX-5 MKII and LX-6 MKII floor standing loudspeakers should be placed on the floor (ideally on spikes). Mission LX-1 MKII, LX-2 MKII and LX-3 MKII bookshelf loudspeakers should be mounted on rigid stands, ideally spike coupled to the floor.

Height is important: A stand should place the top of a speaker at ear level to a seated listener. Shelf or bracket mounting is second best. The distance from the wall can profoundly affect loudspeakers' sonic performance. If your speakers are too close to the wall the bass will boom and sound will be coloured. Moving them into the room may increase clarity but tends to reduce the bass output. When positioned correctly, the high frequency response is smooth with well-defined, powerful bass. Start with the speakers about 300mm from the wall and 1.8m apart. The distance from each loudspeaker to the side wall should be at least 500mm. Vary the distance between the two loudspeakers and the distance from the wall until you get a perfect stereo stage. If your loudspeakers are wired correctly, the sound should be full with a clean treble and a deep, rich bass.

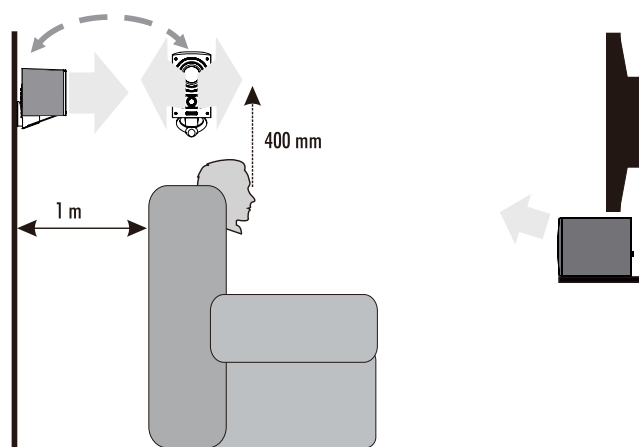
## Centre and Surround Speaker

Your centre loudspeakers (LX-C1 MKII and LX-C2 MKII) should be positioned on a shelf above the TV monitor or in a console or stand below the TV set. If you place the unit directly above the TV, ensure that the shelf or support can stand the weight and the assembly is stable. Ensure the loudspeaker is positioned centrally between the left and right speakers and is connected to the centre channel output of your amplifier. Check your amplifier handbook or consult your dealer if you are in any doubt.

If you are using a CRT TV (older style Cathode Ray Tube TV), do not position speakers within 450mm of a TV screen.

The surround speakers (LX-3D Surround MKII) should be placed above head height and either to the side or behind the listening seat. They may be stand or bracket mounted on the side walls or on the rear walls but always behind the listener.

LX-3D can also be used in vertical channel home cinema, such as Dolby Atmos and DTS: X systems for the height channels. In this case the LX-3D can be placed on top of the front speakers, with the drive units facing upwards.

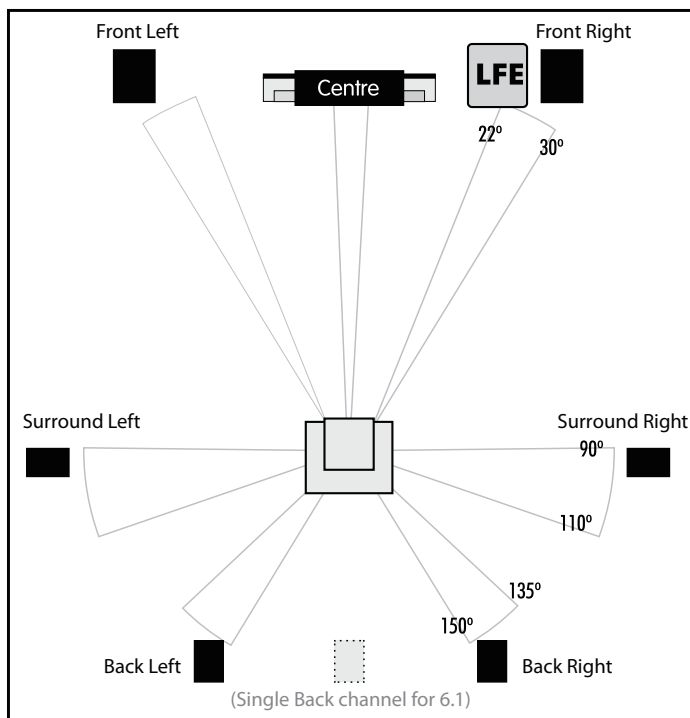


## Tuning and Phase

**Phase:** To check the loudspeaker phase, check the polarity of your speaker wire at the terminals of the loudspeakers and at the loudspeaker terminals of the amplifier. The conductor colour should always be connected the same way around. If your loudspeakers are connected correctly, you will hear a full sound with clean midrange and a deep, powerful bass.

**Fine Tuning:** All the loudspeakers, except the centre loudspeakers (LX-C1 MKII and LX-C2 MKII), are reflex enclosures. Although these will not normally be needed, foam port bungs are provided which may be used to alter the bass parameters and damp resonances, especially when operating the loudspeakers close to walls or corners. Place a bung in each speaker port and adjust them in and out as needed. (Note, the foam filling for the ports in Centre channel speakers should not be removed).

## Home Theatre Topics



### Loudspeaker Positioning

**Front Loudspeakers:** The front loudspeakers are placed on either side of the TV monitor, 2 to 3 metres apart. The speakers should be angled slightly so they are aimed towards the listeners.

### Rear Surround Channels

We recommend placing the surround speaker in a high position, behind the listeners head. If the rear wall is more than 1 metre behind the listening seat, an alternative position is on the side walls. If the walls are a long way from the listening seat, consider stand mounting the loudspeakers.

### Centre Channel

Most of the dialogue comes from the centre loudspeaker. Speech should appear to originate from the actors mouths. Operating height is important. Ideally the front and centre channel speakers should be at the same height. The front of the cabinet should be level with the TV screen.

### Setting Speaker Sizes

When used with a subwoofer, digital AV processors usually require you to set the size of the loudspeakers for good bass management. This is usually 'Large' or 'Small'. For the LX-1 MKII, LX-2 MKII, LX-3 MKII, LX-3D MKII, LX-C1 MKII and LX-C2 MKII, these the loudspeakers should set to 'Small'. Depending on the performance of your subwoofer you may set the LX-4 MKII, LX-5 MKII and LX-6 MKII to 'Large' or 'Small'.

### Loudspeaker Maintenance

Use a cloth to clean your cabinet and very occasionally a slightly dampened cloth to remove finger marks, etc. If necessary clean the grilles carefully in place with a soft brush.

# Specifications

Model	LX-1 MKII	LX-2 MKII	LX-3 MKII
General description	2-way bookshelf speaker	2-way bookshelf speaker	2-way bookshelf speaker
Enclosure type	bass reflex	bass reflex	bass reflex
Transducer complement	2-way	2-way	2-way
Bass driver	4"(100mm) composite fibre	5"(130mm) composite fibre	6.5"(165mm) composite fibre
Treble driver	25mm microfibre dome	25mm microfibre dome	25mm microfibre dome
AV shield	No	No	No
Sensitivity (2.83V @ 1m)	86dB	87dB	88dB
Recommended amplifier power	20-80w	20-100W	20-120W
Peak SPL	99dB	103dB	105dB
Nominal impedance	8Ω Compatible	8Ω Compatible	8Ω Compatible
Minimum impedance	4.2Ω	3.8Ω	4.1Ω
Frequency response (+/-3dB)	58Hz ~ 20kHz	55Hz ~ 20kHz	45Hz ~ 20kHz
Bass extension(-6dB)	55Hz	50Hz	40Hz
Crossover frequency	2.7kHz	3.2kHz	3.2kHz
Cabinet Volume (in litres)	5.5L	8.5L	13.2L
Dimensions (mm)			
Height (on plinth)	260mm	305mm	345mm
Width	160mm	200mm	226mm
Depth (with terminals)	(200+8)mm	(250+8)mm	(300+8)mm
Carton size	440 x 290 x 345mm	535 x 350 x 400mm	590 x 400 x 450mm
Net weight	4.13kg/pcs	6.34kg/pcs	8.42kg/pcs
Gross weight	9.42kg/ctn	14.4kg/ctn	18.9kg/ctn
Finish	Walnut Pearl / Lux White / Lux Black	Walnut Pearl / Lux White / Lux Black	Walnut Pearl / Lux White / Lux Black

Model	LX-4 MKII	LX-5 MKII	LX-6 MKII
General description	2-way floorstanding speaker	2-way floorstanding speaker	3-way floorstanding speaker
Enclosure type	bass reflex	bass reflex	bass reflex
Bass driver	5"(130mm) composite fibre x2	6.5"(165mm) composite fibre x2	6.5"(165mm) composite fibre x2
Midrange driver			5"(130mm) composite fibre
Treble driver	25mm microfibre dome	25mm microfibre dome	25mm microfibre dome
AV shield	No	No	No
Sensitivity (2.83V @ 1m)	89dB	90dB	91dB
Recommended amplifier power	30-120W	30-150W	30-200W
Peak SPL	105dB	106dB	107dB
Nominal impedance	8Ω Compatible	8Ω Compatible	8Ω Compatible
Minimum impedance	4.3Ω	4.2Ω	3.0Ω
Frequency response (+/-3dB)	45Hz ~ 20kHz	42Hz ~ 20kHz	35Hz ~ 20kHz
Bass extension(-6dB)	40Hz	38Hz	30Hz
Crossover frequency	3.0kHz	2.3kHz	400Hz,3.3kHz
Cabinet Volume (in litres)	29L	42L	3.2L/72.5L
Dimensions (mm)			
Height (on plinth&spike)	(900+20)mm	(975+20)mm	(1000+20)mm
Width	200mm	226mm	226mm
Depth (with terminals)	(265+8)mm	(300+8)mm	(325+8)mm
Carton size	385 x 315 x1015mm	420 x 340 x 1090mm	445 x 340 x 1115mm
Net weight	15.5kg/pcs	19.1kg/pcs	21.9kg/pcs
Gross weight	18.5kg/ctn	22.4kg/ctn	24.7kg/ctn
Finish	Walnut Pearl / Lux White / Lux Black	Walnut Pearl / Lux White / Lux Black	Walnut Pearl / Lux White / Lux Black



# Specifications

Model	LX-C1 MKII	LX-C2 MKII	LX-3D Surround MKII
General description	2-way centre speaker	2-way centre speaker	2-way surround speaker
Enclosure type	closed-box system	closed-box system	closed-box system
Transducer complement	2-way	2-way	2-way
Bass driver	4"(100mm) composite fibre x2	5"(130mm) composite fibre x2	4"(100mm) composite fibre
Treble driver	25mm microfibre dome	25mm microfibre dome	25mm microfibre dome
AV shield	No	No	No
Sensitivity (2.83V @ 1m)	88dB	89dB	86dB
Recommended amplifier power	20-100W	20-120W	20-80W
Peak SPL	103dB	105dB	99dB
Nominal impedance	8Ω Compatible	8Ω Compatible	8Ω Compatible
Minimum impedance	4.3Ω	4.3Ω	4.5Ω
Frequency response (+/-3dB)	75Hz ~ 20kHz	65Hz ~ 20kHz	105Hz ~ 20kHz
Bass extension(-6dB)	70Hz	60Hz	90Hz
Crossover frequency	3.5kHz	3.2kHz	2.8kHz
Cabinet Volume (in litres)	7.6L	12.5L	2.2L
Dimensions (mm)			
Height (on plinth)	160mm	180mm	(150+8)mm
Width	400mm	500mm	160mm
Depth (with terminals)	(200+8)mm	(230+8)mm	260mm
Carton size	495 x 300 x 255mm	595 x 330 x 275mm	365 x 345 x 245mm
Net weight	6.32kg/pcs	8.63kg/pcs	3.28kg/pcs
Gross weight	7.5kg/ctn	10.2kg/ctn	7.8kg/ctn
Finish	Walnut Pearl / Lux White / Lux Black	Walnut Pearl / Lux White / Lux Black	Walnut Pearl / Lux White / Lux Black

---

## Service Centre

Should a fault occur with your loudspeakers, please pack it correctly, using the original packing, so you can ship it safely. Product for service should be returned to the appointed dealer from whom you purchased the product. If you experience difficulties or there is no mission dealer in your area, contact the Mission distributor or the office below.

### UK

IAG Service Dept, 13/14 Glebe Road, Huntingdon, Cambridgeshire PE29 7DL, UK

Tel: +44 0 1480 452 561

Email: [service@mission.co.uk](mailto:service@mission.co.uk)





IAG House, 13/14 Glebe Road, Huntingdon, Cambridgeshire, PE29 7DL, UK

Tel: +44(0)1480 452561 Email: [service@mission.co.uk](mailto:service@mission.co.uk) [www.mission.co.uk](http://www.mission.co.uk)

IAG reserves the right to alter the design and specifications without notice. All rights reserved © IAG Group Ltd.

Mission is a member of the International Audio Group. CODE: MH14-MNL005a