



Scan for full manual

VA-4X Quick Start Guide

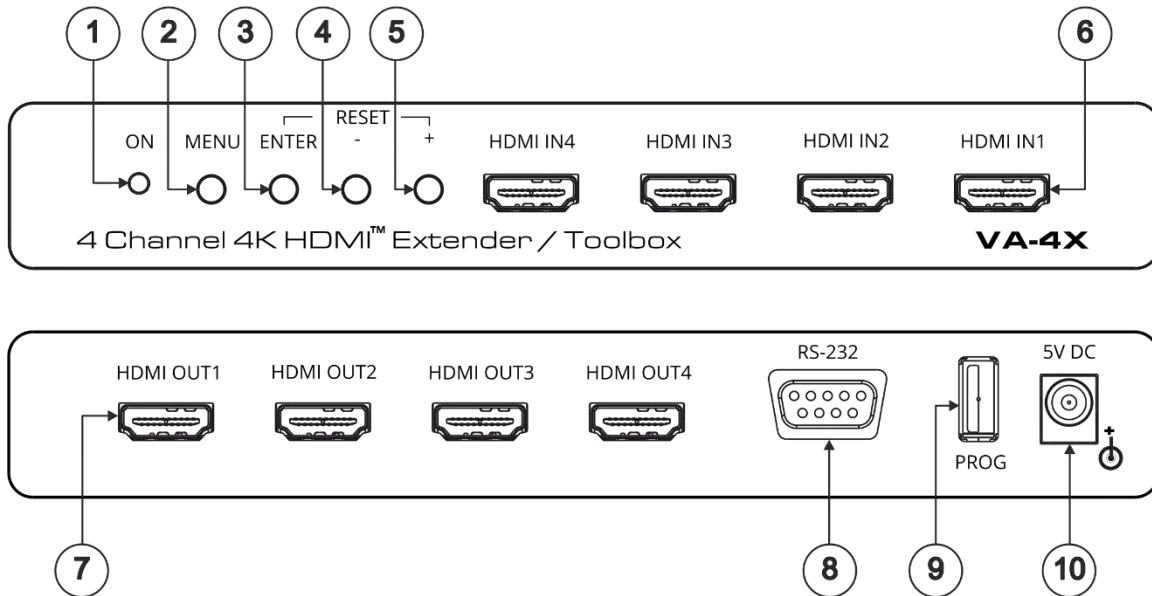
This guide helps you install and use your **VA-4X** for the first time.

Go to www.kramerav.com/downloads/VA-4X to download the latest user manual and check if firmware upgrades are available.

Step 1: Check what's in the box

- ✓ **VA-4X** 4 Channel 4K HDMI Extender / Toolbox
- ✓ 4 Rubber feet
- ✓ Mounting bracket kit
- ✓ 1 Power adapter and cord
- ✓ 1 Quick start guide

Step 2: Get to know your VA-4X



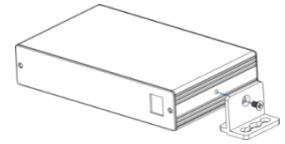
| # | Feature | Function |
|----|---|--|
| 1 | ON LED | Lights green when the unit is powered on. |
| 2 | MENU Button | Press to enter/exit the on-screen display (OSD) menu. |
| 3 | ENTER Button | In the OSD, press to choose the highlighted menu item. When not in the OSD, press to view information (enabled when a channel input and output is connected and the channel Display Information is set to On). Press ENTER and + simultaneously to reset the device to its default parameters. |
| 4 | - Button | In the OSD, press to move back through the list or to decrease the parameter value. |
| 5 | + Button | In the OSD, press to move forward through the list or to increase the parameter value. Press ENTER and + simultaneously to reset the device to its default parameters. |
| 6 | HDMI IN Connectors (1 to 4) | Connect to HDMI sources. |
| 7 | HDMI OUT Connectors (1 to 4) | Connect to HDMI acceptors. |
| | IN 1 to OUT 1 comprises Channel 1, IN 2 to OUT 2 comprises Channel 2 and so on. | |
| 8 | RS-232 9-pin D-sub Connector | Connect to a PC to control VA-4X via the EDID Manager software. |
| 9 | PROG USB Port | Connect to a PC for firmware upgrade. |
| 10 | 5V DC | Connect to included power adapter. |

The terms HDMI, HDMI High-Definition Multimedia Interface, and the HDMI Logo are trademarks or registered trademarks of HDMI Licensing Administrator, Inc.

Step 3: Mount VA-4X

Install VA-4X using one of the following methods:

- Attach the rubber feet and place the unit on a flat surface.
- Fasten a bracket (included) on each side of the unit and attach it to a flat surface (see www.kramerav.com/downloads/VA-4X).
- Mount the unit in a rack using the recommended rack adapter (see www.kramerav.com/product/VA-4X).

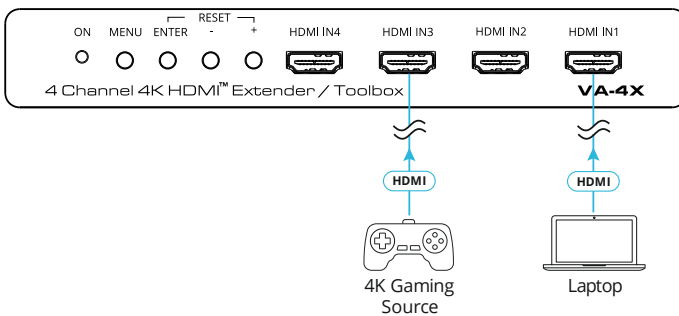


- Ensure that the environment (e.g., maximum ambient temperature & air flow) is compatible for the device.
- Avoid uneven mechanical loading.
- Appropriate consideration of equipment nameplate ratings should be used for avoiding overloading of the circuits.
- Reliable earthing of rack-mounted equipment should be maintained.

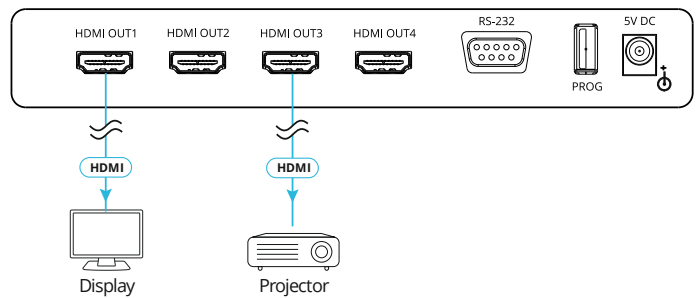
Step 4: Connect the inputs and outputs

Always switch OFF the power on each device before connecting it to your VA-4X. For best results, we recommend that you always use Kramer high-performance cables to connect AV equipment to the VA-4X.

Front Panel



Back Panel



Step 5: Connect the power

Connect the 5V DC power adapter to the power socket and then connect the adapter to the mains electricity.

Safety Instructions (See www.kramerav.com for updated safety information)

Caution:

- For products with relay terminals and GPIO ports, please refer to the permitted rating for an external connection, located next to the terminal or in the User Manual.
- There are no operator serviceable parts inside the unit.

Warning:

- Use only the power cord that is supplied with the unit.
- Disconnect the power and unplug the unit from the wall before installing.

Step 6: Operate the VA-4X

Use the OSD menu to set the parameters:

| Menu Item | Function |
|------------------------|---|
| Channel 1 to Channel 4 | Input EDID Select: Sink, User or Internal. 4K2K 50/60 RGB: 4:2:0 Downsampling, 4:2:2 Downsampling or Passthrough. 4K2K 50/60 YUV4:4:4: 4:2:0 Downsampling, 4:2:2 Downsampling or Passthrough. 4K2K 50/60 YUV4:2:2: 4:2:0 Downsampling, 4:2:2 Downsampling or Passthrough. Auto Sync Off: Disable, Slow, or Fast. Output Pattern: Mode (On/Off), Timing, and Pattern Type. OSD: Display Information (Yes/No) and Display Timeout. |
| Main OSD | Display Select: All Channels or one Channel (set Main OSD to appear on all channels or on one of the four channels). Display Timeout: 5 to 40 sec, or Off. |
| Channel Information | Channel 1 to 4: Resolution, Input Colorspace, Output Colorspace, Input HDCP, and Output HDCP. Firmware Version. |
| System Setting | Firmware Update. Factory Reset. |