

episode[®] engineered by
Snap_{av}

OWNER'S MANUAL

ES-500T Series Soundbars



OVERVIEW

Welcome to Episode® Speakers. We appreciate your purchase and are committed to providing the highest-quality products possible.

The Episode® Soundbar models are a superb choice for almost every type of home theater or home audio installation. They have been designed with advanced technological components that allow for high performance and a lifetime of enjoyment.

IMPORTANT INSTRUCTIONS AND CONSIDERATIONS

Read and understand all instructions.

Before beginning installation, carefully plan location accounting for potential electrical, plumbing or other obstacles.

RECOMMENDED AMPLIFIER POWER

To get the best performance from the Soundbar, an amplifier or receiver with the following power rating is recommended:

ES-500T-SNDBR-40 – between 20 and 100 Watts RMS per channel

ES-500T-SNDBR-50 – between 20 and 100 Watts RMS per channel

SPEAKER WIRE

To connect the Soundbar to an AV Receiver or Amplifier, high-quality 14 to 16 gauge stranded speaker wire is recommended. The wire may be connected directly to the speaker's removable screw-down terminals. Remember that you will need 3 runs of speaker wire to the Soundbar location as it contains the left, center, and right speaker. A special wire management channel has been included in the rear of the speaker so that a wall mounted speaker can sit flush on the wall.

FEATURES

- Replaces Left, Center, and Right channels in one convenient speaker
- Extremely Low-Profile, Extruded Aluminum Cabinet
- Knockout for Hidden IR Receiver
- Flexible Mounting Options
 - Cabinet Top or Shelf Placement with included kickstands
 - On-Wall with included mounting plate
 - Flat-Screen with optional accessory that attaches to TV mount

WHAT'S INCLUDED

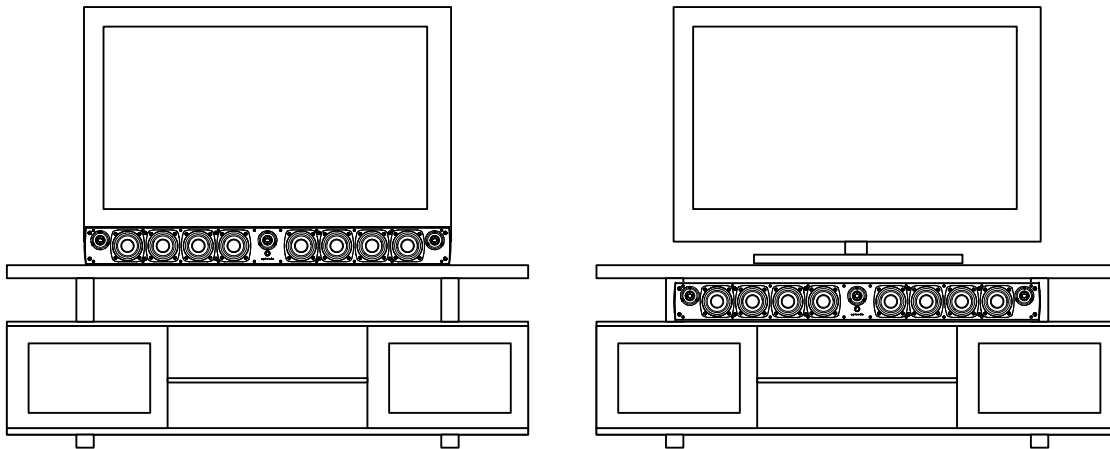
- | | |
|--|---------------------------------------|
| (1) ES-500T-SNDBR-40
or ES-500T-SNDBR-50 | (4) Rubber Feet |
| (2) Kickstands for Cabinet placement | (1) Wall Plate Bracket |
| (2) Shoulder bolts for Kickstand and Wall Plates | (4) Wood Screws for Wall Plate |
| (2) Large Flat Washers for Kickstands | (4) Small Flat Washers for Wall Plate |
| | (1) IR Receiver Spacer |

INSTALLATION

SPEAKER PLACEMENT

The ES-500T-SNDBR is designed to be the Left, Center, and Right speakers of a home theater surround system. For most applications, placement should be below a flat screen TV on a cabinet top or shelf. Other options for placement include On-Wall using the included bracket, or attached to a Flat Panel mount using the optional Strong mount bracket.

Installing On or In a Cabinet



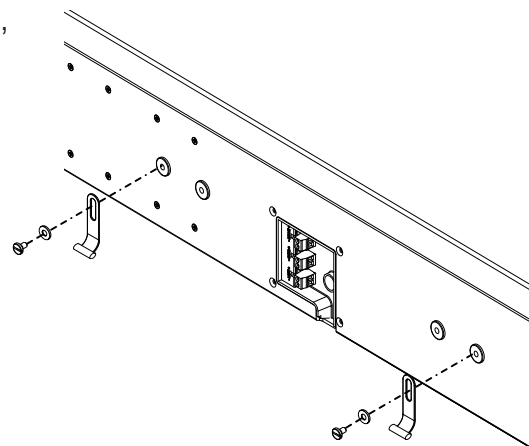
Considerations for Placement

When placing the Soundbar on a cabinet shelf, the front edge of the speaker should be flush with the front of the shelf. Placing the speaker further back on the shelf will degrade the sound quality of the speaker.

Attaching the Kickstand

The kickstand for the Soundbar allows for the angle of the Soundbar to be adjusted to maintain proper audio performance. When placing the Soundbar, adjust the kickstand height to angle the Soundbar towards the listener's ears. See Adjusting the Kickstand for more information.

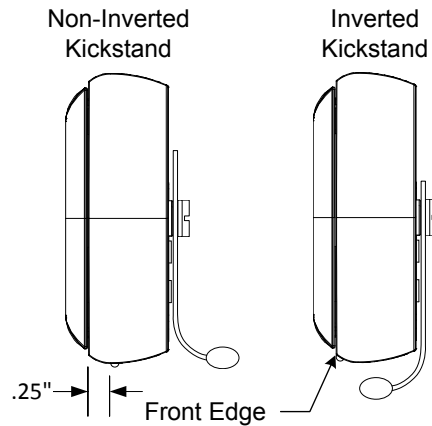
1. Place the included Kickstands on the rear of Soundbar as shown.
2. Using a shoulder bolt and washer for each Kickstand, tighten to secure the Kickstand to the Soundbar.



Attaching the Feet

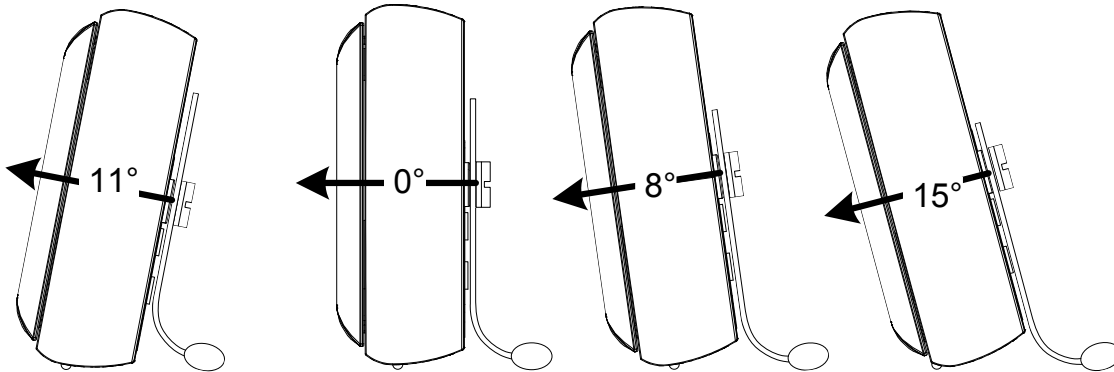
To ensure that the Soundbar will not slip when using the kickstands, (2) rubber feet have been included. The feet must be installed when using the kickstand. Place the feet 3" from the left and right outer edge, and ¼" from the front edge of the Soundbar.

Note: When using the kickstand in the inverted position, the feet should be placed at the front edge of the speaker

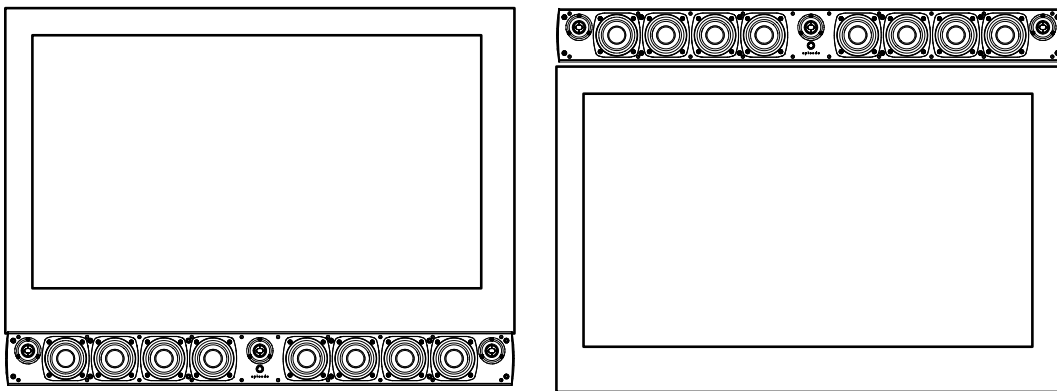


Adjusting the Kickstand

After installing the kickstand and placing the Soundbar, adjust the angle of the speakers towards the listener's ears. If the speakers point away from the listener's ears, slide the kickstand up or down to achieve the proper angle. Note that the kickstand can be inverted when the Soundbar is pointing down.



Mounting on a Wall



Considerations for Wall Mounting

To maintain a high level listening experience, the Soundbar should be as close to the TV as possible. Placing the Soundbar more than 3" from the screen will separate the audio from the video and provide a poor viewing and listening experience, keep this in mind when locating the Soundbar.

Attaching the Wall Bracket

Note: For ease of installation of the bracket and the Soundbar, we recommend that the TV be removed from the mount. This allows for the Soundbar to be placed properly.

Before Installing the Mount

- Locate and install the TV mount.
- With the TV on the mount
 - Mark the position of the bottom of the TV.
 - Mark the position of the TV's Center Point.
- Remove the TV from the mount

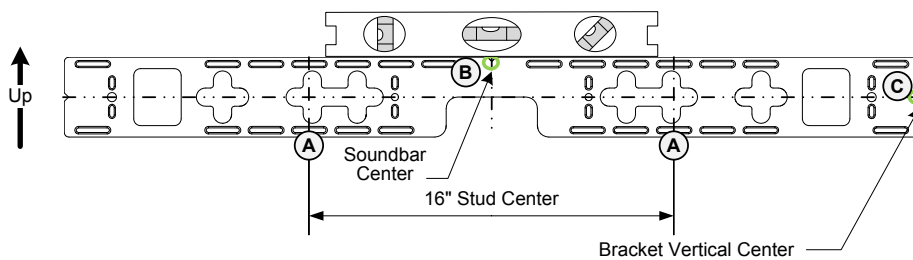
Installing the Mount

1. Locate wall studs using a stud finder (not included).
2. Place the Bracket on the wall with the flat side towards the wall and the notched center mark facing up. The Soundbar Center mark should be located at the center point of the installed television.
3. Position the Bracket Vertical Center (C) v groove $2\frac{1}{4}$ " from the bottom of the TV. This will place the Soundbar flush with the bottom of the TV when installed.

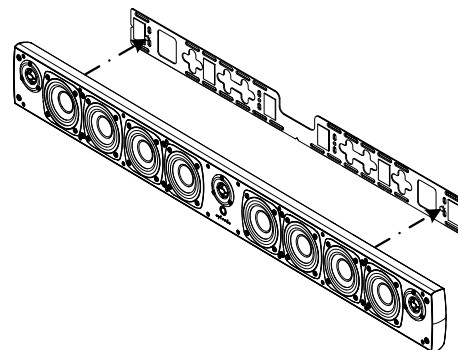
Tip: To allow for some extra clearance, position the Bracket Vertical Center (C), $2\frac{5}{16}$ " from the bottom of the TV. This will provide an extra $\frac{1}{16}$ " clearance (recommended for Tilt Mounts) allowing for the any tolerance differences that may occur.

4. Level the bracket and attach it to the wall studs using the horizontal screwhole slots. All 4 screws should be used, making sure to keep the bracket flat to the wall and securely attached.

Note: If wall studs cannot be used, wall mollies or anchors with the appropriate weight rating for the Soundbar can be used.



5. Attach the Soundbar to the bracket by placing the bracket's mounting bolts into the keyhole slots on the rear of the soundbar and dropping the Soundbar into place.



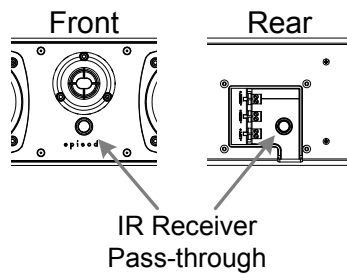
Installing on a Flat Panel Mount

The ES-500T-SNDBR can be mounted directly to a Flat Panel Mount with the Strong™ SM-SBAR-BKT (available separately). Using the Flat Panel mount bracket allows for the speaker to move with the TV when mounted to articulating arm mounts. This provides an optimum listening experience for these installations.

Installing an IR Receiver

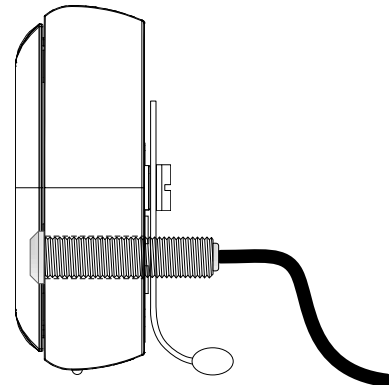
The ES-500T-SNDBR has the option of installing an optional IR Receiver directly into the speaker behind the grille cloth, eliminating the need to surface mount a stick-on receiver. Simply punch out the center of the pass-through and slide the IR Receiver through the exposed hole.

Note: Due to the extremely low profile of the ES-500T soundbars, most IR tube receivers will protrude through the rear of the Soundbar. An opening in the wall may be needed for clearance.



To maintain accurate IR reception, a spacer has been included to allow for the front edge of the IR receiver to be flush with the back of the grille cloth. This will ensure that IR reception is at its maximum level.

TIP: With some IR receivers, a layer of electrical tape around the threads can create a more snug fit within the Soundbar



Connecting and Calibrating

Proper Connections are important to the performance of any loudspeaker within an audio system. Performing the following steps will ensure proper connections for optimum speaker performance:

1. At each loudspeaker connection, ensure that the outer jacket is separated by at least 2 inches.
2. Strip the insulation on each conductor approximately $\frac{1}{4}$ " and insert into the speaker terminals.
 - A. Ensure that there are no stray strands of wire protruding from the connectors.
 - B. Observe proper polarity (+ to + and – to –) for each speaker and at the amplifier).
3. Turn on the home theater receiver and calibrate all loudspeakers in the system according to the receiver (or surround processor) manufacturer's instructions.

Verifying Phase

When proper polarity is not maintained, the speakers play at the opposite 'time' from each other, or out of phase. The result is audio with lack of bass and vocals that sound thin or distant. If during or after calibrating your receiver you suspect the sound is not right and you cannot see any markings on the wire to verify polarity is correct, try this simple test:

1. Sit in the normal listening position for the system.
2. Play some music with your receiver set to Mono.
3. Listen to the music and observe the audio.
 - A. Does the bass sound full and even with the other audio?
 - B. Do the vocals sound centered and even in volume?

If either of the answers are YES, follow steps 3 and 4 with the other loudspeakers in the system.
4. Turn off your receiver and reverse the connections for one of the speakers.
5. Repeat your test at the same volume level. When the sound has the loudest and best sounding bass, and vocals are centered and clear, your connections are correct and in-phase.

GENERAL MAINTENANCE

INSTALLING AND REMOVING THE GRILLE

- The grill is held by pins. To remove the grill, pull gently around the edge away from the speaker, slowly working your way from one end of the speaker to the other .
- To re-install, align the grill pins with the cups in the speaker and push into place.

CLEANING

- Use a dampened soft cloth or paper towel to clean the cabinet. The grill is best cleaned by brushing it off with a lint-free cloth.

WARRANTY

Limited Lifetime Warranty

Episode Soundbar Speakers have a Lifetime Limited Warranty. This warranty includes parts and labor repairs on all components found to be defective in material or workmanship under normal conditions of use. This warranty shall not apply to products which have been abused, modified or disassembled. Products to be repaired under this warranty must be returned to SnapAV or a designated service center with prior notification and an assigned return authorization number (RA).

SPECIFICATIONS

Model	ES-500T-SNDBR-40	ES-500T-SNDBR-50
Woofers Construction	4" anodized aluminum cone w/ High Temp Voice Coil	4" anodized aluminum cone w/ High Temp Voice Coil
Woofers Magnet Diameter	35mm OD Neo magnet	35mm OD Neo magnet
Voice Coil Size	35mm (1.25")	35mm (1.25")
Tweeter Construction	1" Titanium Dome Neodymium, ferrofluid cooled	1" Titanium Dome Neodymium, ferrofluid cooled
Passive Radiators	N/A	4" anodized aluminum cone
# of Woofers	4	4
# of Tweeters	3	3
# of Passive Radiators	0	4
Power Handling RMS (w)	20-100W RMS	20-100W RMS
Power Handling Peak (w)	250W	250W
Recommended Amplifier Power	6 ohms	6 ohms
Nominal Impedance (Ω)	6 ohms	6 ohms
Frequency Response	110 - 22kHz	100 - 22kHz
Sensitivity (2.83v @ 1m)	88dB	88dB
Crossover Type	12dB / octave woofer and tweeter sections	12dB / octave woofer and tweeter sections
Crossover Frequency	2.5kHz	2.5kHz
Product Weight	10.8lbs	12.3lbs
Grill Type	Acoustically Transparent Cloth	Acoustically Transparent Cloth
Finished Dimensions	40.56"L x 5.17"H x 1.83"D	48.92"L x 5.17"H x 1.83"D
1/2" IR Knockout	Yes	Yes
Mounting Options	Wall-Mount, Table-Top, TV Mount (optional)	Wall-Mount, Table-Top, TV Mount (optional)
Connector Type	Removable Screw-down terminal	Removable Screw-down terminal
Wire Size Accepted	Up to 14AWG	Up to 14AWG

episode®

engineered by
Snap
av

130121-1350
© 2013 Episode