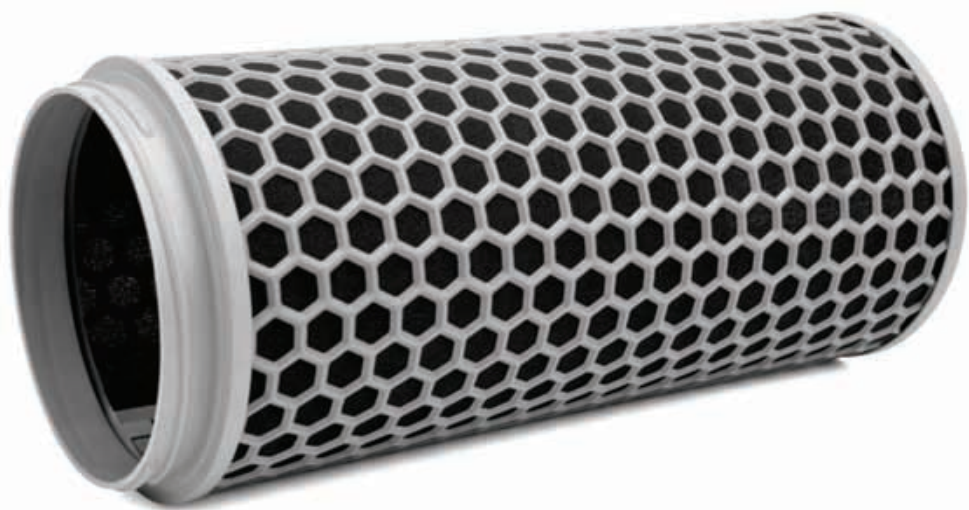


BLIMP EXTENSION

Extension kit for BLIMP windshield system

QUICKSTART GUIDE



RØDE
MICROPHONES

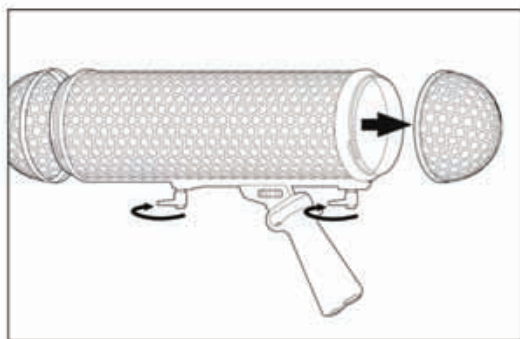


www.rodemic.com

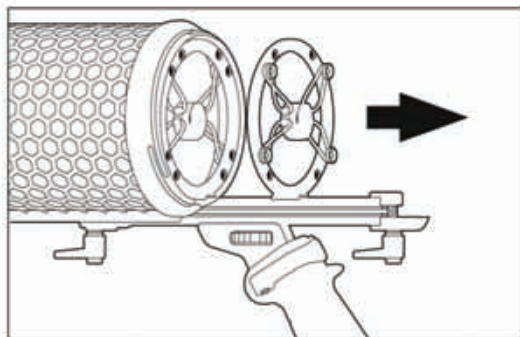
Assembling your BLIMP with Extension

The RØDE BLIMP Extension is suitable for applications in which the BLIMP is used to house the NTG8 or other long shotgun microphones up to 600mm in barrel length.

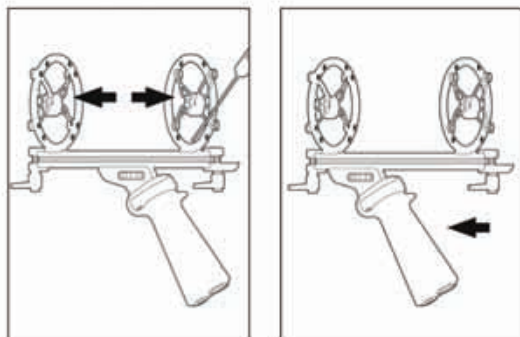
Please follow these instructions to fit your BLIMP Extension to your windshield assembly.



First unscrew and remove the front and rear cylindrical domes, then loosen the front and rear rail levers (approximately 1-2 turns).

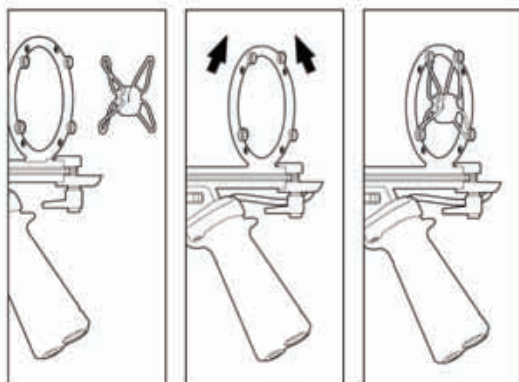


Slide the suspension body out of the BLIMP housing.



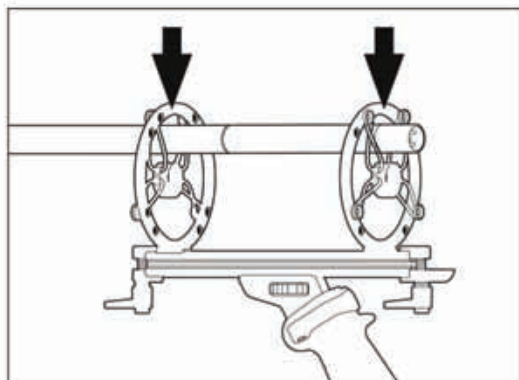
Adjust the position of the suspension hoops so that the two hoops are as far apart as possible. Then adjust the handle to a position as far forward as possible.

Assembling your BLIMP with Extension

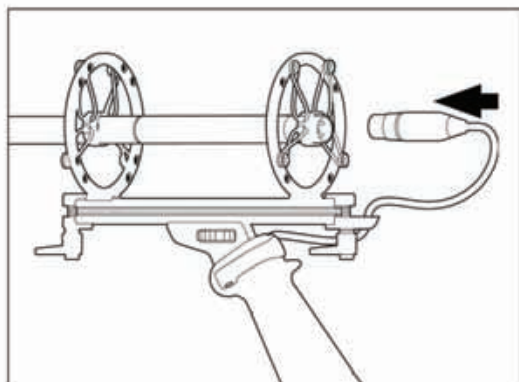


Remove the suspension bands and microphone clip and relocate the top two thumbscrews to the topmost position. Replace the suspension bands and clip.

Should your BLIMP be fitted with black suspension bands, replace with heavy duty red suspension bands provided. (Some BLIMP models will come pre-fitted with red bands).

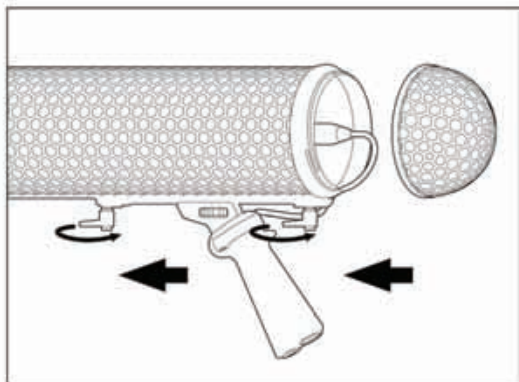


Place your microphone above the clip mounts and gently push the microphone body into the clips until it is securely in place.



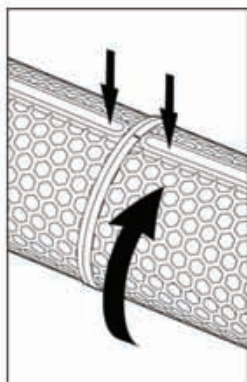
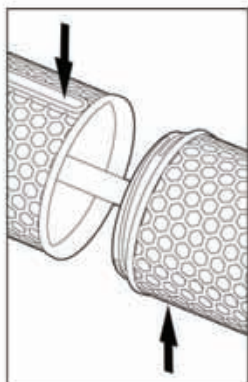
Plug the BLIMP tail cable in to the microphone.

Assembling your BLIMP with Extension



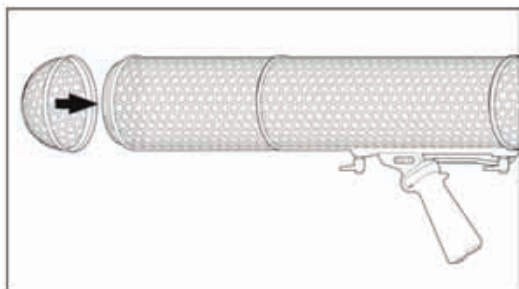
Taking care to align the rails with the BLIMP housing, slide the suspension assembly back into the BLIMP housing. Tighten the front and rear rail levers.

Then, screw the rear dome back into place.



To attach the BLIMP Extension to the open end of the BLIMP assembly, first align the BLIMP Extension so that the seams are on the opposite side to the adjoining blimp cylinder.

Screw on the BLIMP Extension. It is secured into place once the seams are aligned.



Reattach the front cylindrical dome. The BLIMP windshield is now fitted with the BLIMP Extension and is ready to use.

Technical Support

For information and technical support questions, please visit www.rodemic.com/support

