

[Skip to content](#)

[Manuals+](#)

User Manuals Simplified.



MiDiPLUS Routist RS USB External Sound Card User Guide

April 14, 2022 April 14, 2022 [Leave a comment on MiDiPLUS Routist RS USB External Sound Card User Guide](#)

[Home](#) » [Midiplus](#) » [MiDiPLUS Routist RS USB External Sound Card User Guide](#) 

Contents [hide](#)

[1 MiDiPLUS Routist RS USB External Sound Card](#)

[2 Introduction](#)

[3 Features](#)

[4 Hardware Features](#)

[5 Start Uing](#)

[6 Specifications:](#)

[7 Documents / Resources](#)

[7.1 Related Manuals / Resources](#)

MiDiPLUS

MiDiPLUS Routist RS USB External Sound Card



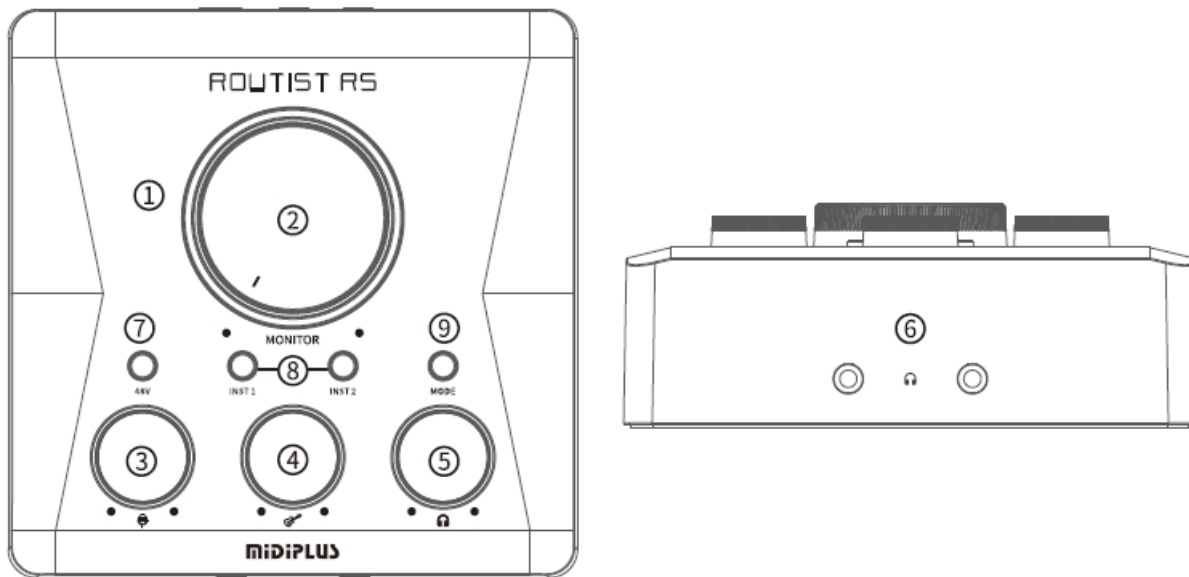
Introduction

Thank you for choosing Routist RS audio interface. Routist RS is a 2 in 2 out USB audio interface, with brilliant lighting effects. You can supply 48V phantom power to your condenser microphone with only USB bus powered. You can connect to your mobile phone through the built-in OTG port, providing you with a faster and more convenient live streaming experience. With 24bit/96kHz high resolution sampling rate, support Windows low-latency ASIO driver and will work straight away without needing to install any drivers on macos. Please read this manual before you start using, to help you quickly understand the basic operations and features of Routist RS.

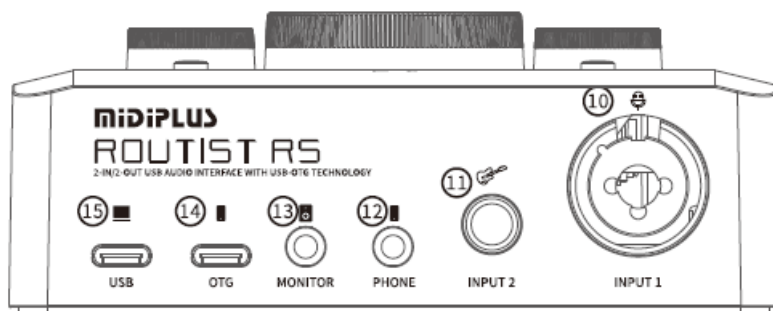
Features

- 2 in/2 out USB audio interface
- Support 24bit/96kHz audio resolution
- 1XLR/ TRS Combo input and 1 TRS input for connecting microphone, line-level device or instrument(guitars or basses)
- 48V phantom power supply
- Independent monitor output volume and headphone volume control
- Connect to your mobile phone through OTG or 3.5mm jack
- Dual headphone outputs
- Brilliant lighting effects.
- USB bus powered

Hardware Features



1. RGB Light Ring: Showing different lighting effects according to the RGB Light Ring mode
2. Monitor Control: Control the monitor Output level.
3. Input 1 Gain Control: Control the input 1's gain level
4. Input 2 Gain Control: Control the input 2's gain level
5. Headphone Control: Control the dual headphone outputs level.
6. Headphone Outputs: Connect 2 headphones
7. 48V Switch: Turn on/off the phantom power supply of the XLR input 1
8. Instrument/Line Switch: Switch the inputs to the Hi-Z mode
 - INST 1: Switch the input 1 into Hi-Z mode
 - INST 2: Switch the input 2 into Hi-Z mode
9. Mode Switch: Switch the mode of RGB Light Ring



10. Input 1: Connect the microphone through XLR, Connect line-level device or instrument (guitars or basses) through TRS jack.
11. Input 2: Connect line-level device or instrument (guitars or basses).
12. Phone: Connect to headset jack of mobile phone, for transmit analog audio signals.
13. Monitor: Connect to the active speakers to monitor the output signals.
14. OTG port: Connect to a mobile phone to transmit digital audio signals.
15. USB port: Connect to a computer to transmit data and power supply.

Start Using

1. Connect

Connect the Routist RS to computer by using the included USB A to USB C cable, the USB status LED on Routist RS will light on.

2. Installation

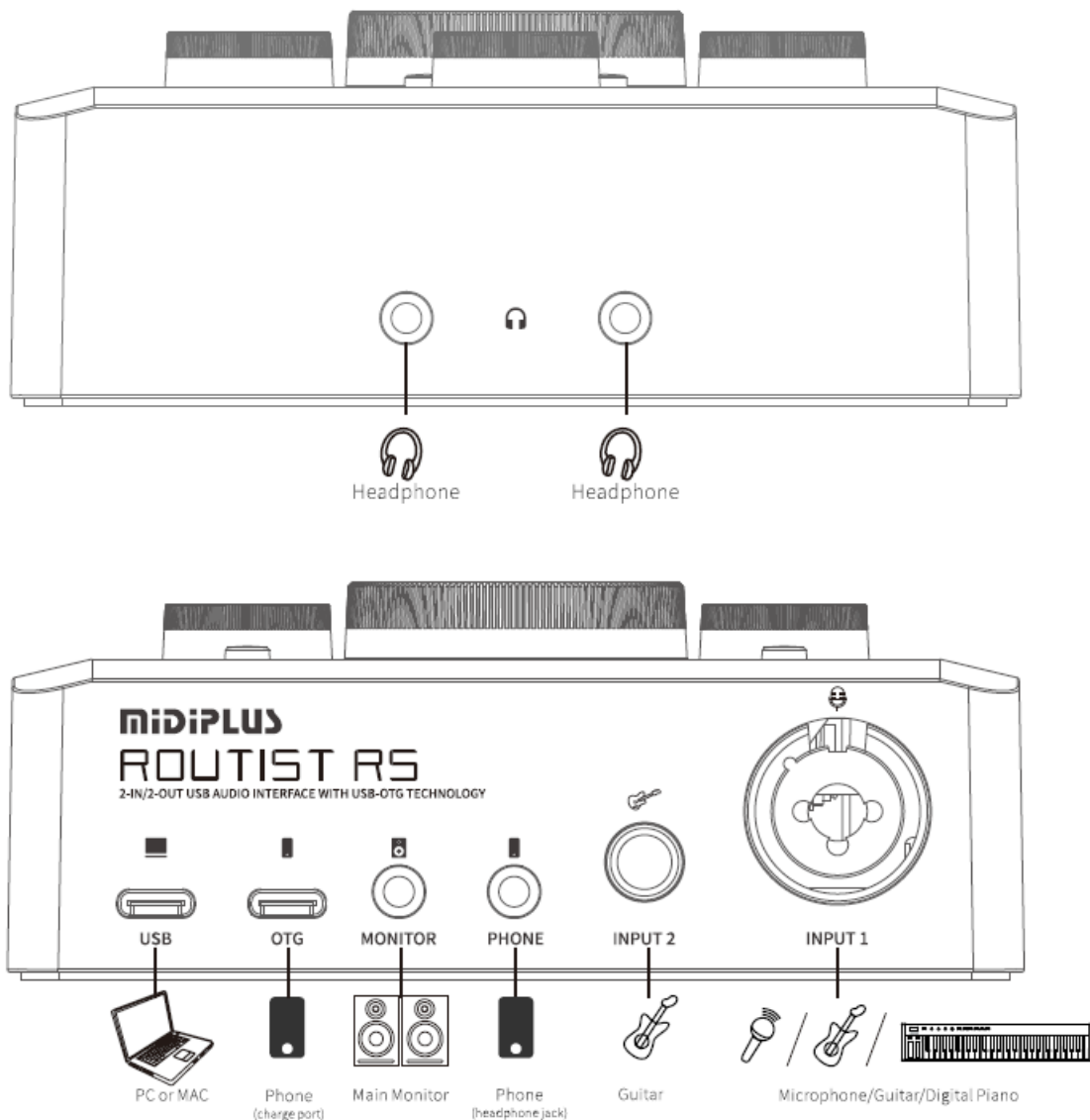
Windows: Go to <http://www.midiplus.com/support.aspx?id=1> download and install the latest driver.

macOS: No need to install any drivers.

3. Setting the default sound device

Windows: Go to Settings > System > Sound and then selecting the Routist RS as your device for Input and Output. macOS: GO to System Preferences > Sound and then selecting the Routist RS as your device for Input and Output.

4. Connection Example



Specifications:

Model	Bit depth	Routist RS
		24bit/96kHz
/Sample rate		1 x XLR/TRS Combo Input, 1 x 1/4"TRS Input, 1 x 1/8"Phone Jack, 1 x 1/8"Monitor Output, 2 x
I/O		1/8"Headphone Outputs, 1 x USB C port, 1 x USB C OTG port
Buttons		1 x 48V Switches, 2 x Hi-Z Switch, 1 x Ring ramp mode Switch
Knobs		Input Gain, Monitor, Headphone
Dimensions		120mm*120mm*47mm
Accessory		Quick Start Guide * 1 TRRS 1/8" to TRRS 1/8" cable * 1 USB A to USB C cable * 1

Documents / Resources

[MiDiPLUS Routist RS USB External Sound Card](#) [pdf] User Guide Routist RS, USB External Sound Card, Routist RS USB External Sound Card

MIDIPLUS

Related Manuals / Resources



[midiplus Routist R2 User Guide](#)

midiplus Routist R2 Introduction Thank you for choosing Routist R2 audio interface. Routist R2 is 1 in 2...



[gembird DVD-USB-02 External USB DVD Drive Silver User Manual](#)

USER MANUAL DVD-USB-02 EXTERNAL USB DVD DRIVE Features External CD/DVD reader/recorder with USB interface Enables rapid burning of...



[hama 00051660 USB Sound Card User Guide](#)

hama 00051660 USB Sound Card USB Sound Card Warranty Disclaimer Hama GmbH & Co KG assumes no liability...



[hama 00133484 USB Sound Card Instruction Manual](#)

00133484 USB Sound Card Instruction Manual WarrantyDisclaimer HamaGmbH &CoKG assumes no liability and provides no warranty for damage...

Leave a comment

Your email address will not be published.

Comment

Name

Email

Website

Save my name, email, and website in this browser for the next time I comment.

[Manuals+](#),

- [home](#)
- [privacy](#)