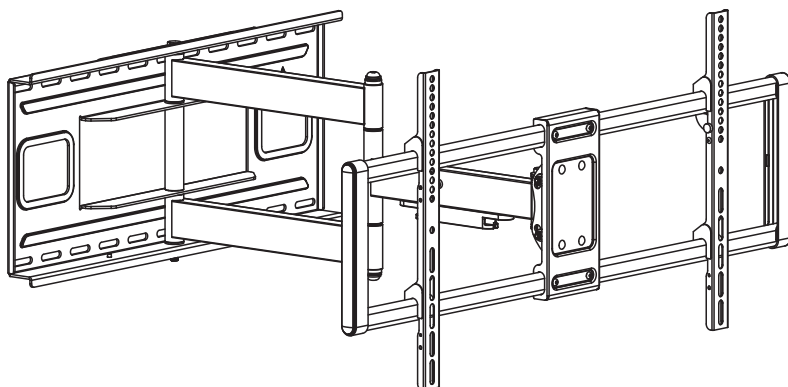




РУКОВОДСТВО  
ПО ЭКСПЛУАТАЦИИ  
Кронштейн для ТВ выдвижной  
**EXi-X9984-HD**



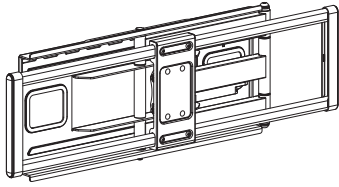
**EXi-X9984-HD**

VESA  
200x200 300x200 300x300  
400x200 400x300 400x400  
600x400 800x400

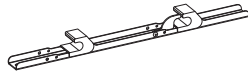
90"  
МАКС.

Плоский / Изогнутый

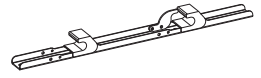
100 кг



A (x1)



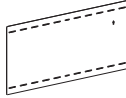
B (x1)



C (x1)



D (x1)



E (x1)



F (x2)  
M4x8



G (x2)



H (x1)  
10-13MM



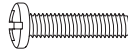
M-A (x4)  
M6x14



M-B (x4)  
M8x16



M-C (x4)  
M6x30



M-D (x4)  
M8x35



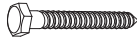
M-E (x4)  
D8



M-F (x4)  
Ø15xØ8x5



M-G (x4)  
Ø15xØ8x15



W-A (x8)  
ST8x90



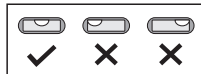
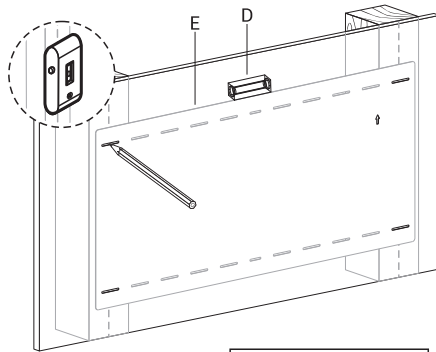
W-B (x8)  
Ø12x60

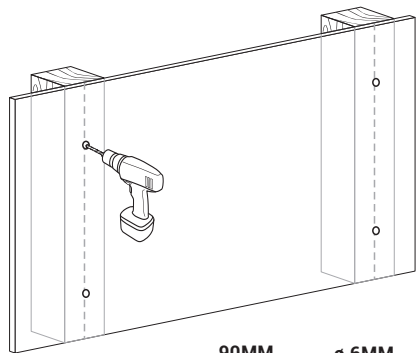


W-C (x8)  
D8



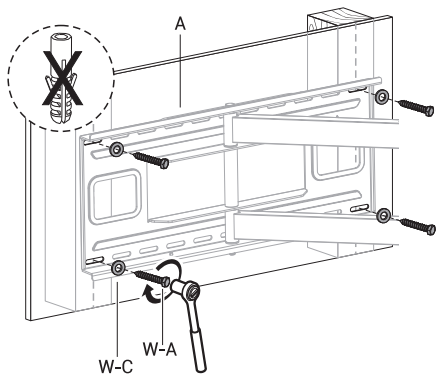
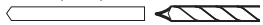
1

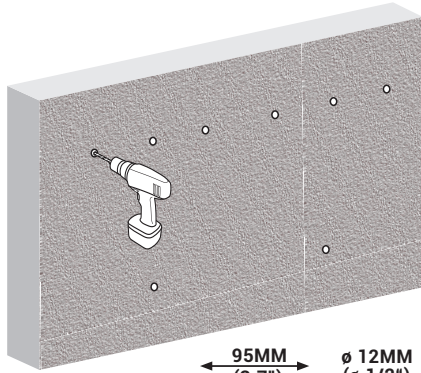
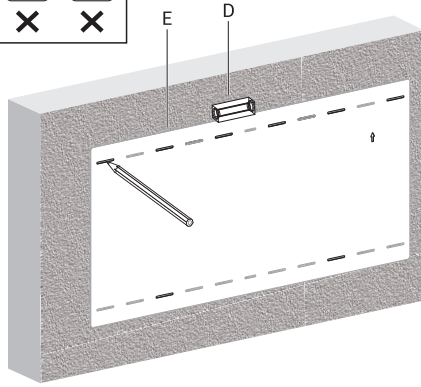
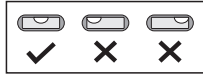




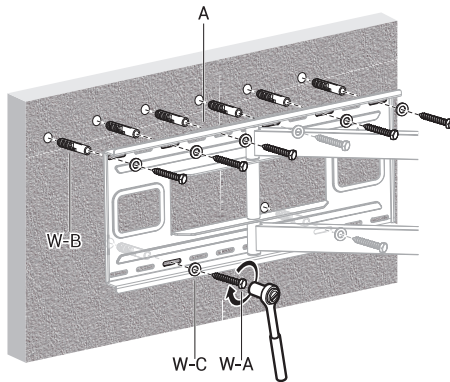
90MM  
(3.5")

Ø 6MM  
(Ø 1/4")

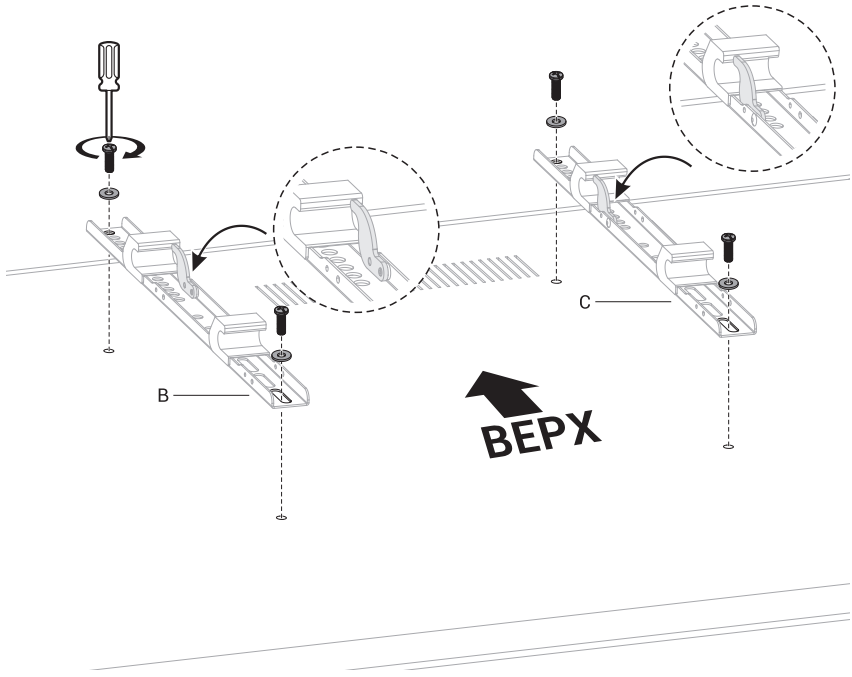
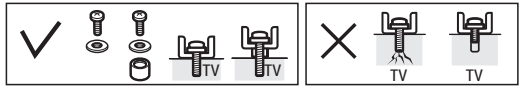




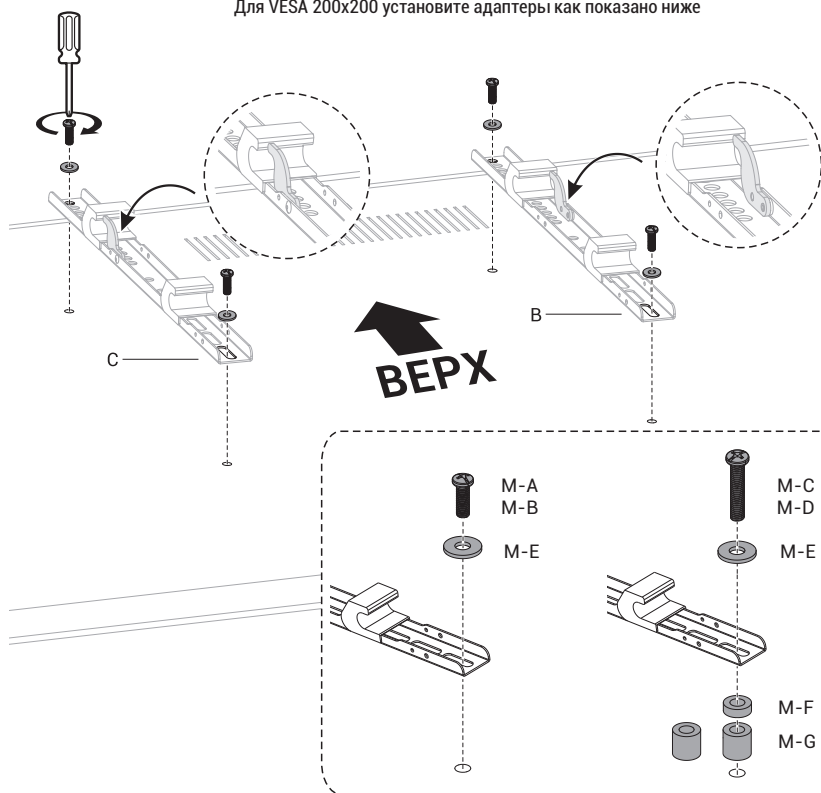
← 95MM (3.7") →    ø 12MM (ø 1/2")



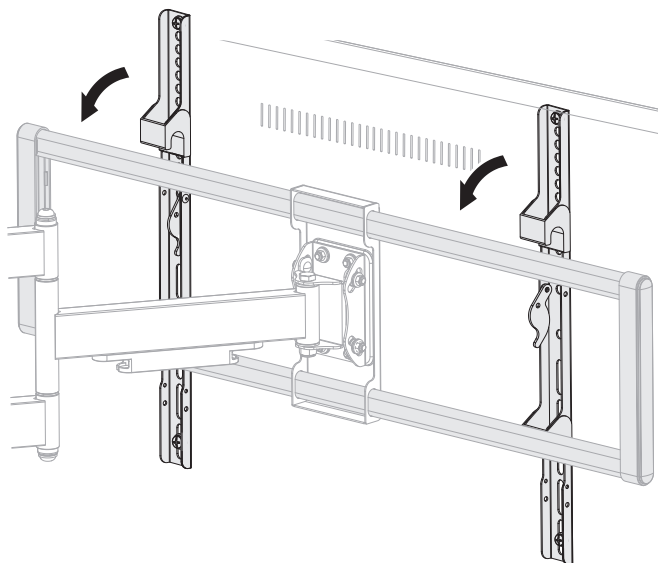
2

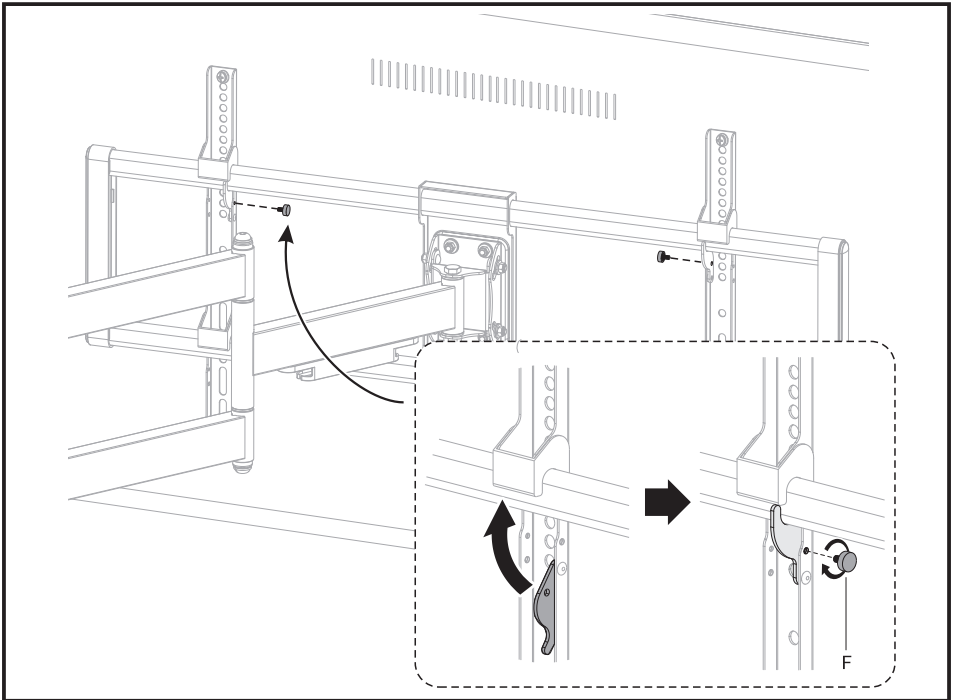


Для VESA 200x200 установите адаптеры как показано ниже

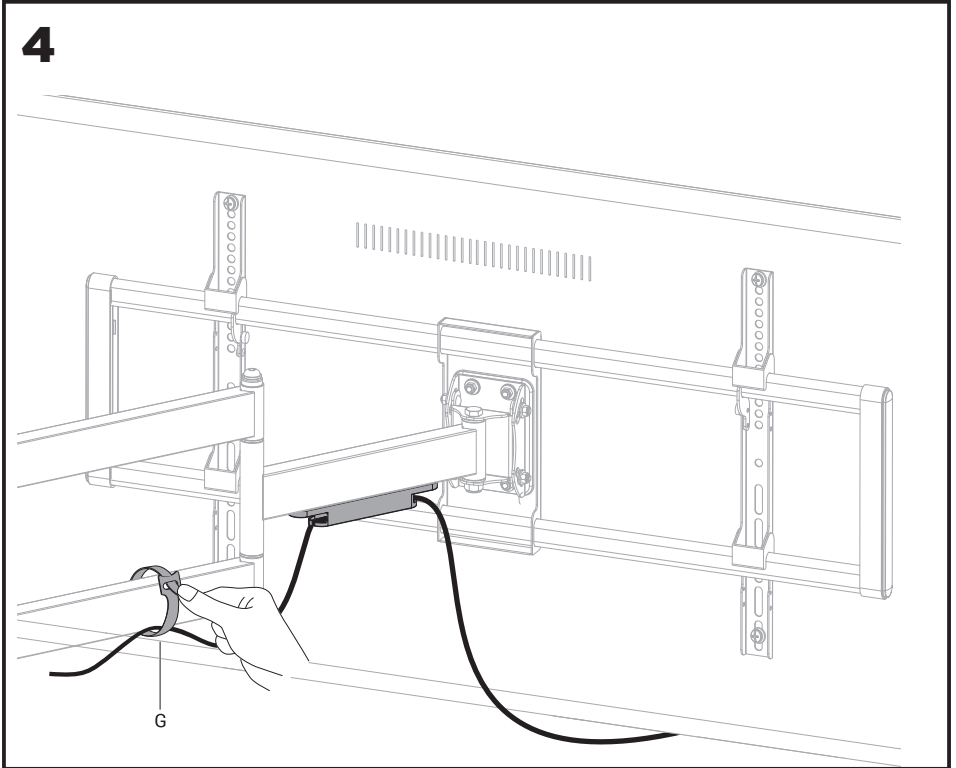


**3**

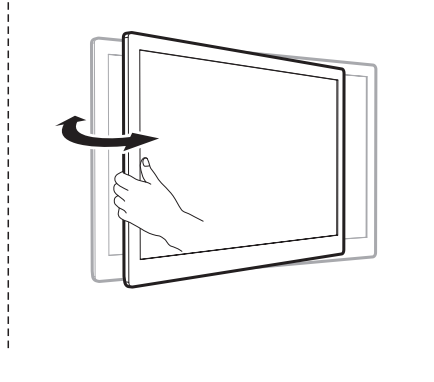
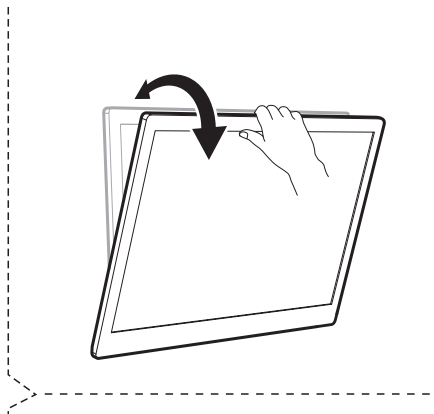
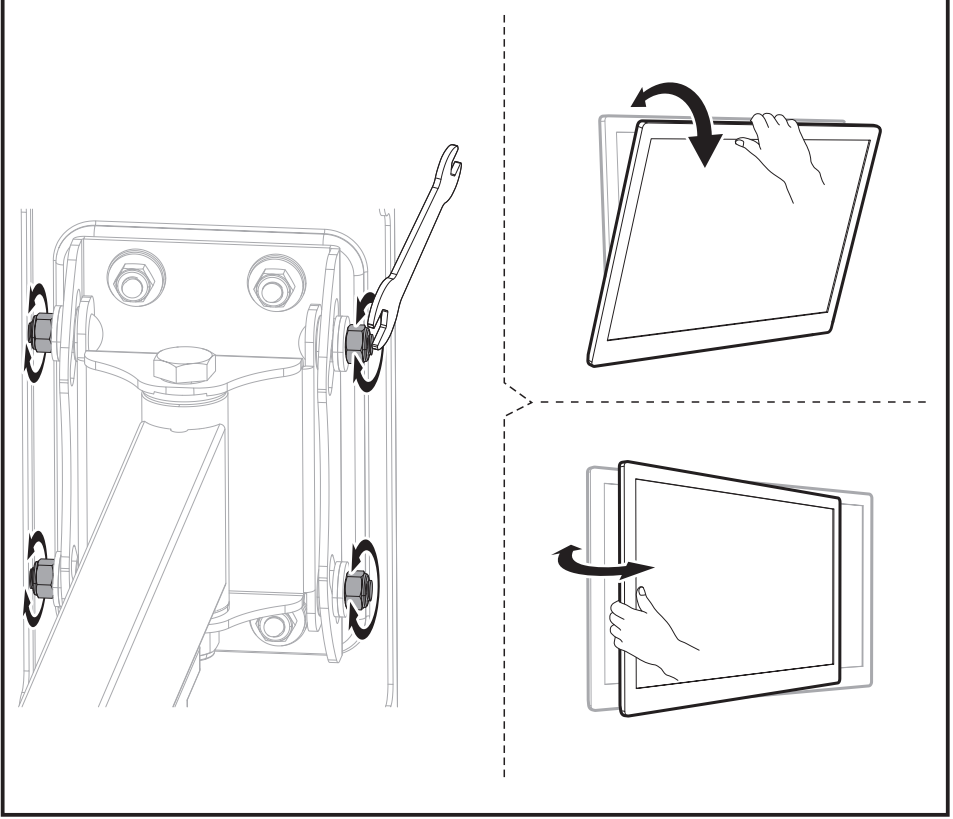
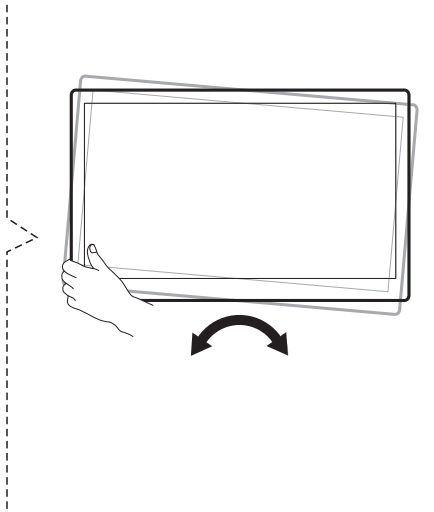
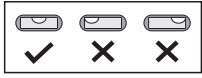
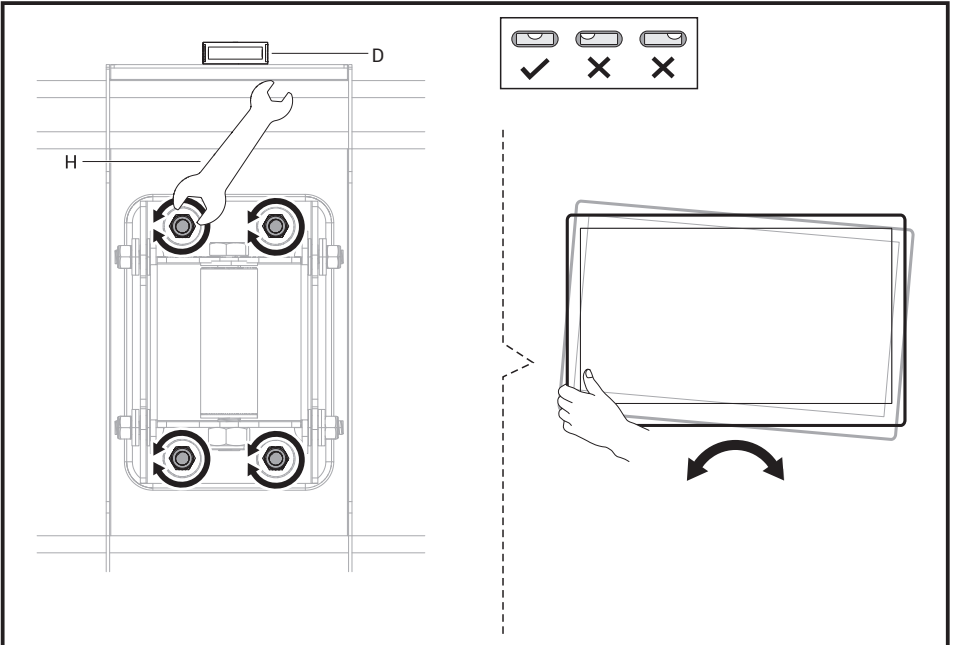




**4**











the 1990s, the number of people in the world who are illiterate has increased from 500 million to 700 million.

There are many reasons for this. One is that the population of the world is growing so fast that the number of people who are illiterate is increasing. Another reason is that the quality of education is so poor that many people who are literate are unable to read and write. A third reason is that many people who are literate are unable to use their skills in a way that is useful to them.

There are many ways to improve literacy. One way is to provide more schools and teachers. Another way is to improve the quality of education. A third way is to provide more opportunities for people to use their skills in a way that is useful to them. All of these ways are important, and all of them need to be done.

There are many people who are working to improve literacy. There are many organizations that are providing education to people who are illiterate. There are many people who are teaching people how to read and write. There are many people who are providing opportunities for people to use their skills in a way that is useful to them.

There are many people who are working to improve literacy. There are many organizations that are providing education to people who are illiterate. There are many people who are teaching people how to read and write. There are many people who are providing opportunities for people to use their skills in a way that is useful to them.

There are many people who are working to improve literacy. There are many organizations that are providing education to people who are illiterate. There are many people who are teaching people how to read and write. There are many people who are providing opportunities for people to use their skills in a way that is useful to them.

There are many people who are working to improve literacy. There are many organizations that are providing education to people who are illiterate.

There are many people who are working to improve literacy. There are many organizations that are providing education to people who are illiterate. There are many people who are teaching people how to read and write. There are many people who are providing opportunities for people to use their skills in a way that is useful to them.

There are many people who are working to improve literacy. There are many organizations that are providing education to people who are illiterate. There are many people who are teaching people how to read and write. There are many people who are providing opportunities for people to use their skills in a way that is useful to them.

There are many people who are working to improve literacy. There are many organizations that are providing education to people who are illiterate. There are many people who are teaching people how to read and write. There are many people who are providing opportunities for people to use their skills in a way that is useful to them.

There are many people who are working to improve literacy. There are many organizations that are providing education to people who are illiterate. There are many people who are teaching people how to read and write. There are many people who are providing opportunities for people to use their skills in a way that is useful to them.

There are many people who are working to improve literacy. There are many organizations that are providing education to people who are illiterate. There are many people who are teaching people how to read and write. There are many people who are providing opportunities for people to use their skills in a way that is useful to them.