

685

S2

686

S2

Welcome and thank you for choosing Bowers & Wilkins.

Our founder, John Bowers, believed that imaginative design, innovative engineering and advanced technology were keys that could unlock the enjoyment of audio in the home. His belief is one that we continue to share and inspires every product we design.

This is a high performance product that rewards thoughtful installation, so we suggest that you take some time to read this manual before you begin. **Continue on page 4 →**

Willkommen bei Bowers & Wilkins. Der Firmengründer John Bowers war der Meinung, dass ein wunderschönes Design, eine innovative Konstruktion und ausgeklügelte Technologien die Schlüssel zu Audio-Entertainment der Extraklasse in Ihrem Zuhause sind. Wir teilen seine Meinung und jedes von uns entwickelte Produkt basiert darauf.

Dies ist ein erstklassiges Produkt, dessen Installation und Setup gut durchdacht werden müssen. Wir empfehlen daher, sich ein wenig Zeit zu nehmen und diese Bedienungsanleitung vor der Installation zu lesen. **Fortsetzung auf Seite 16 →**

Benvenuti e grazie per aver scelto un prodotto Bowers & Wilkins.

Il nostro fondatore, John Bowers, era convinto che design attraente, capacità d'innovare e tecnologie all'avanguardia fossero fattori vincenti per la riproduzione audio domestica.

Le sue idee sono ancor oggi condivise da noi tutti e fonte d'ispirazione per ogni nuovo prodotto che realizziamo.

Questo modello è un diffusore di alte prestazioni che merita di essere installato in maniera scrupolosa. Vi suggeriamo pertanto di leggere attentamente questo manuale prima di iniziare. **Continua a pagina 28 →**

Bienvenue et merci d'avoir choisi Bowers & Wilkins. Notre fondateur, John Bowers, était persuadé qu'une conception imaginative, des innovations en terme d'ingénierie et des technologies parmi les plus avancées, étaient les clés ouvrant les portes du plaisir de l'écoute à domicile. Ce qu'il croyait fait partie de ce que nous continuons encore à partager et se retrouve dans tous les produits que nous concevons aujourd'hui.

Vous disposez d'un produit dont les hautes performances méritent une installation soignée, par conséquent nous vous suggérons de consacrer un peu de temps à lire ce manuel avant de commencer à l'utiliser. **Rendez vous à la page 10 →**

Bienvenido y gracias por elegir Bowers & Wilkins.

John Bowers, nuestro fundador, estaba firmemente convencido de que el diseño imaginativo, la ingeniería innovadora y la tecnología avanzada eran las claves a la hora de llevar el disfrute del sonido a la intimidad del hogar. Una creencia que seguimos compartiendo y que inspira todos y cada uno de los productos que diseñamos.

Si se instala adecuadamente, tanto la 685 S2 como la 686 S2 es un producto que ofrece unas prestaciones muy elevadas, por lo que le sugerimos que antes de ponerse manos a la obra dedique un poco de su tiempo a leer este manual. **Continúa en la página 22 →**

Welkom en dank voor de aanschaf van een product van Bowers & Wilkins.

Onze oprichter John Bowers geloofde in vindingrijke ontwerpen: innovatieve en vooruitstrevende technologie vormen de kern waarmee plezier met muziek thuis kan worden gerealiseerd. Deze visie is nog altijd ons uitgangspunt en vormt de inspiratie voor elk product dat we ontwikkelen.

Dit is een hoogwaardig product dat een zorgvuldige installatie verdient, daarom raden we u aan de tijd te nemen deze handleiding te lezen voordat u begint. **Lees verder op pagina 34 →**

Добро пожаловать и благодарим вас за приобретение акустики компании Bowers & Wilkins. Наш основатель, Джон Бауэрс, верил в то, что творческий подход в проектировании, новаторская конструкция и передовые технологии смогут открыть людям путь к подлинному звучанию в доме. Мы продолжаем разделять его веру, и она вдохновляет нас при проектировании всех новых продуктов.

Эти акустические системы способны на высококачественное воспроизведение звука, поэтому они заслуживают вдумчивого подхода к установке, и мы советуем вам уделить некоторое время на изучение этой инструкции, прежде чем приступить к прослушиванию. **Продолжение на стр. 40 →**

欢迎并感谢您选择Bowers & Wilkins。 我们公司的创办人John Bowers先生相信具有想象力的设计、创新的工程设计和先进的技术是开启家庭音响娱乐大门的重要元素。我们依然坚持着他的信念，并赋予我们所有产品设计灵感。

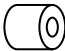


这是一款高性能产品，在妥当安装后您将获得极佳的音效，因此我们建议您在开始安装前花一些时间仔细阅读本手册。 **第46页继续 →**

Bowers & Wilkins製品をお買い上げいただき、ありがとうございます。 Bowers & Wilkinsの創業者であるJohn Bowersは、創意に富んだデザインと革新的な工業技術、そして先進技術が、家庭でもオーディオを充分に楽しむ鍵であると信じていました。現在でも彼の信念はBowers & Wilkinsで共有されており、この信念はBowers & Wilkinsが設計するすべての製品に命を吹き込んでいます。

お買い上げいただいたスピーカーは、念入りの設置を行う価値のある、非常に高性能な製品です。ご使用になる前に、このマニュアルをお読みください。 **52ページに続く →**



1. Unpacking

	2
	8
	4

Carton Contents**Check in the carton for:**

- 2 Two-part foam plugs
- 8 Self-adhesive plastic pads
- 4 Self-adhesive plastic stand-offs for 686 S2 only

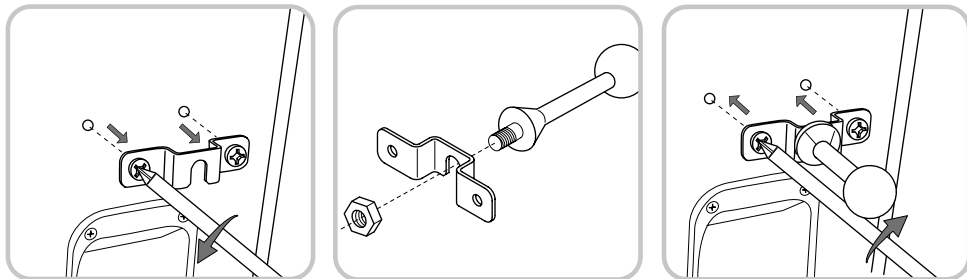
Environmental Information

This product complies with international directives, including but not limited to:

- i. the **R**estriction of **H**azardous **S**ubstances (RoHS) in electrical and electronic equipment,
- ii. the **R**egistration, **E**valuation, **A**uthorisation and restriction of **C**hemicals (REACH)
- iii. the disposal of **W**aste **E**lectrical and **E**lectronic **E**quipment (WEEE).

Consult your local waste disposal authority for guidance on how properly to recycle or dispose of this product.

2. Positioning



Speaker Installation

The speaker is primarily designed to be mounted on a dedicated floor stand, but may be placed on a shelf, although this offers less flexibility to optimise the speaker's performance. In both cases, the tweeter should be approximately at ear height.

Note: If using a shelf, ensure that it is strong enough to properly support the weight and fit the 4 self-adhesive plastic feet to the underside of the speaker.

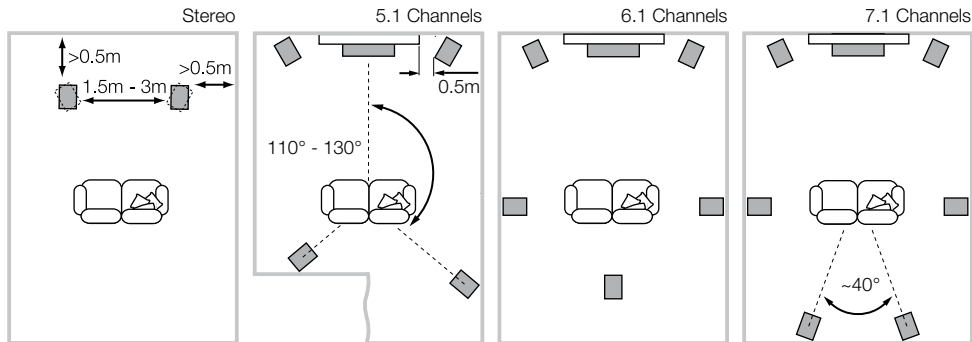
The 686 S2 speaker can be mounted on a wall using the bracket already attached to the back panel. The simplest method is to use a single screw into the wall and hook the bracket over it, in which case you should stick one of the supplied plastic stand-offs close to each of the bottom corners of the back panel to make the speaker sit parallel to the wall and avoid rattles. Make sure that the screw, any wall plug and the amount of insertion into the wall are sufficient to support the weight of the speaker. The slot in the bracket is 10mm wide, so you may use a wood screw up to No. 24. We suggest a minimum size of No.14 or 6mm diameter.

If you wish to angle the speaker to the wall, you may use a third-party ball joint type bracket attached to the bracket already fixed to the speaker. You should ensure that the ball-joint bracket is capable of supporting the weight of the speaker. Your dealer or local Bowers & Wilkins distributor will be able to advise you on the selection of appropriate ball-joint brackets.

To attach a ball-joint style mount to a 686 S2 speaker, remove the bracket from the back panel of the speaker and securely attach the ball component through the central slot. Reattach the bracket and ball assembly to the back panel (see above).

Once the ball joint component is attached to the speaker, the assembly may be connected to the socket component attached to the wall. Ensure that the Manufacturer's instructions for attaching the bracket to the wall are followed correctly.

B&W Group Ltd. can accept no liability for any failure of wall fixings.



Speaker Positioning

Adjustment of speaker position following initial installation will probably further improve the sound quality and is usually worthwhile.

In either stereo or home theatre installations, try to ensure that the immediate surroundings of each speaker are similar in acoustic character. For example, if one speaker is adjacent to bare walls while the other is adjacent to soft furnishings and curtains, both the overall sound quality and the stereo image are likely to be compromised.

Conventional Stereo Systems

To begin with, the speakers should be positioned between 1.5m and 3m apart at two corners of an equilateral triangle completed by the listening area at the third corner. The speakers should be approximately 0.5m away from the back wall, and at least 0.5m away from any side walls (above).

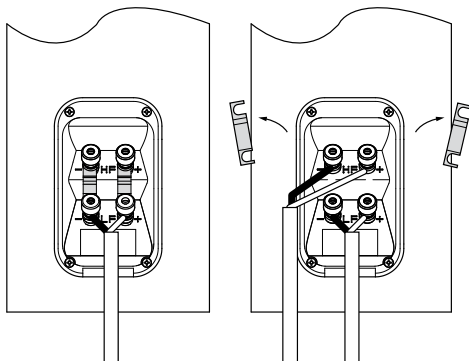
Home Theatre Systems

If the speakers are to be used for the front channels in a home theatre system, they should be placed closer together than for 2-channel audio, because the surround channels tend to widen the image. Positioning the speakers within approximately 0.5m of the sides of the screen will also help keep the sound image in scale with the visual image. As with conventional stereo positioning, the speakers should ideally be at least 0.5m away from any side walls. If the speakers are preferred placed against the back wall and this location results in over emphasised bass, see the Fine Tuning section of this manual for information on using the foam plugs.

Stray Magnetic Fields

The speaker drive units create stray magnetic fields that extend beyond the boundaries of the cabinet. We recommend you keep magnetically sensitive articles (CRT television and computer screens, computer discs, audio and video tapes, swipe cards and the like) at least 0.5m from the speaker. LCD, OLED and plasma screens are not affected by magnetic fields.

3. Connections



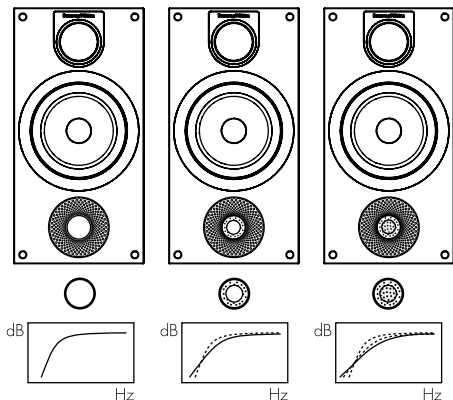
All connections should be made with the audio equipment switched off.

There are 2 linked pairs of terminals on the back of the speaker. For conventional connection (above left), the terminal links should remain in place (as delivered) and just one pair of terminals connected to the amplifier. For bi-wire connection (above right), the terminal links should be removed and each pair of terminals connected to the amplifier independently. Bi-wiring can improve the resolution of low-level detail.

Ensure that the positive terminals on the speaker (marked + and coloured red) are connected to the positive output terminal on the amplifier and the negative terminals on the speaker (marked – and coloured black) are connected to the negative output terminal on the amplifier. Incorrect connection can result in poor imaging and loss of bass.

Ask your dealer for advice when selecting speaker cable. Keep its total impedance below the maximum recommended in the speaker specification and use a low inductance cable to avoid attenuation of high frequencies.

4. Fine Tuning



Before fine tuning, make sure that all the connections in the installation are correct and secure.

Moving the speakers further from the walls will generally reduce the volume of bass. Space behind the speakers will also help to create an aural impression of depth. Conversely, moving the speakers closer to the walls will increase the volume of bass. If you want to reduce the volume of bass without moving the speakers further from the wall, fit the foam plugs or, for less severe bass reduction, the foam rings in the port tubes (above).

If the bass seems uneven with frequency this will most probably be due to resonance modes in the listening room. Even small changes in the position of the speakers or the listening position can have a profound effect on how these resonances affect the sound. Try moving the listening position or locating the speakers along a different wall. The presence and position of large pieces of furniture can also influence resonance modes.

If the central image lacks focus, try moving the speakers closer together or angling them inward so that they point at a location just in front of the listening position.

If the sound is too bright, increasing the amount of soft furnishing in the room (heavier curtains for example) may help balance the sound. Conversely, reducing the amount of soft furnishing may help brighten a dull sound.

If using floor stands to support the speakers, ensure that they rest firmly on the floor. Use carpet piercing spikes if appropriate and adjust them to take up any unevenness.