

User's Guide



QuadMic

Portable Professional Mic Preamp
4-channel Microphone / Line Preamp with Line Outputs
Wide Range Power Supply Input

Contents

1	Introduction	3
2	Package Contents	3
3	Brief Description and Characteristics	3
4	Technical Specifications	3
5	Power Supply	4
6	Operation and Usage	
6.1	Connections	5
6.2	Mic/Line Inputs	6
6.3	Line Outputs	6
7	Accessories	6
8	Warranty	7
9	Appendix	7
10	Block Diagram QuadMic	8
11	CE / FCC Compliance	9

1. Introduction

Thank you for choosing the QuadMic. This unique microphone preamp allows to connect any kind of microphone to any line level input. Thanks to the option of battery-powered operation, the QuadMic makes an ideal companion to RME's computer interfaces in mobile recording situations. An excellent signal to noise ratio, lowest harmonic distortions and wide gain range make the QuadMic your first choice even for studio use!

2. Package Contents

Please check that your QuadMic's package contains each of the following:

- QuadMic (2013 model)
- Manual
- 12 V car cable
- Battery cable
- Power supply 12 V / 2 A and power cord

3. Brief Description and Characteristics

- 4 separate microphone inputs with That[®] hi-end mic preamp
- Phantom power 48V, low cut and phase switchable per channel
- 48V, Clip and Signal LED per channel
- Gain XLR in: +6 dB up to +60 dB
- Gain TRS in: +0 dB up to +54 dB
- Phantom power free TRS input
- Servo balanced inputs and outputs
- Wide frequency response with special RF input filters
- Wide operating voltage range
- 100% hum-free via internal switching regulators
- Lockable power connector
- Rack mount compatible (RM19)

4. Technical Specifications

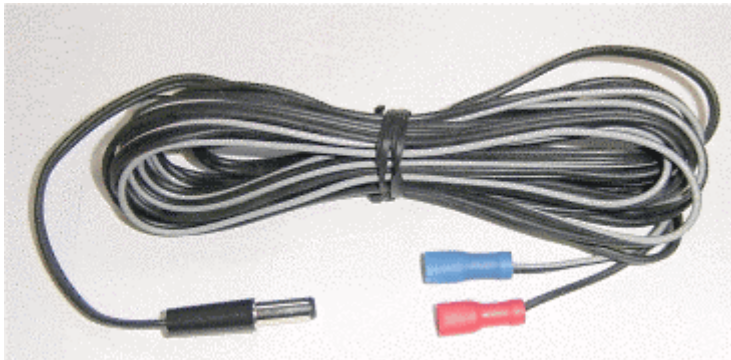
- Inputs: XLR or 1/4" TRS (stereo) jack, electronically balanced
- Input impedance: XLR 2 kOhm, TRS 4 kOhm
- Signal to Noise ratio (SNR): 129 dB EIN @150 Ohm
- THD: < 0.0005 % @ 30 dB Gain
- Crosstalk: > 110 dB
- Frequency response –0.5 dB: 5 Hz - 200 kHz
- Line Out: 1/4" TRS (stereo) jack, servo balanced
- Maximum output level: +21 dBu
- Output impedance: 75 Ohm

5. Power Supply

- Typical current drawn at 12 Volt operating voltage: 380 mA (4.6 Watts)
- Accepted power supply voltage DC 9 V – 18, + center pin.

In order to make operating the QuadMic as flexible as possible, it contains a switching regulator of the latest technology, which not only has a high efficiency (> 90%), but also prevents internal hum noise, as it operates at 100 kHz. Another advantage: the QuadMic accepts any power supply with voltages between 9 and 18 V DC.

The supplied high-quality switching power supply, 12 V / 2 A, not only accepts any mains voltage between 100 V and 240 V (usable world-wide), but is also fully regulated against voltage fluctuations. Additionally it only weighs 150 g in spite of its high power of 24 Watts. This power supply can operate up to four QuadMic when used with a special split adapter cable.



The large voltage range of the QuadMic also allows for the use of a rechargeable lead-battery instead of a power supply, for completely independent mobile operation. A matching connection cable (power jack to terminals 6.3 mm, see picture) is part of the supplied contents.

Connecting the QuadMic to a Car's battery is easy as well. The supplied car cable is plugged in to the standard lighter connector.



We tested a Panasonic LC-R122R2PG battery, 12 V 2.2 Ah, which can operate the QuadMic for 4 hours. Measuring the voltage while discharging shows that the QuadMic remains completely in working order even shortly before the battery voltage collapses (7 Volts.)

6. Operation and Usage

6.1 Controls

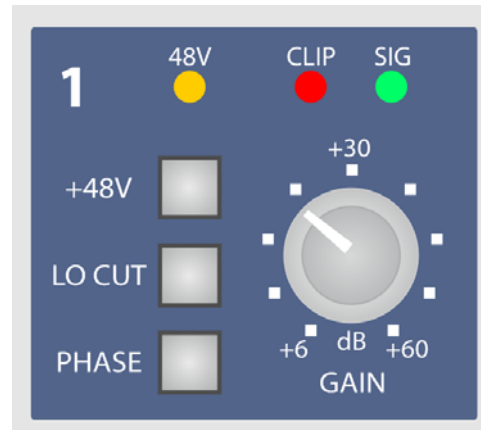
The front of the QuadMic has the gain knobs, switches for low cut, phantom power and phase, and several status LEDs:

+48V (LED) lights up when phantom power is active. Phantom power should only be activated when using condenser microphones which require such a power supply.

The **CLIP** LED lights up 3 dB before the input is overloaded. Referenced to the output level it lights up at around +18 dBu.

SIG (Signal) indicates the presence of an input signal. The threshold of -27 dBFS is rather high compared to other equipment. With this, SIG also indicates a useful output level, which is maintained by a correctly done GAIN adjustment.

The **GAIN** knob allows for a step-less and precise adjustment of the amplification between +6 dB and +60 dB.



+48V (switch) activates phantom power. Phantom power should only be activated when using condenser microphones which require such a power supply, and only on the specific channel. Another important rule: plug-in the microphone first, then switch on the phantom power. The QuadMic will apply the voltage smoothly (soft start). In case the microphone is plugged in while phantom power is already switched on, a current peak (spike) is generated that can destroy the sensitive microphone input stages.

LO CUT activates a hi-pass at 80 Hz, 18 dB per octave. This filter can remove rumble and other low frequency noise.

PHASE changes the polarity. Phase cancellations and sound changes can be caused by using multiple microphones at different places, or wrongly soldered cables. In such cases PHASE can eliminate the error by adding an additional phase inversion.

The back of the QuadMic has the 4 analog inputs and outputs and the power supply connector.

MICROPHONE / LINE INPUTS: 4 Neutrik XLR / TRS combo jacks. Thanks to the servo balanced designs and a high maximum input level, the inputs can be used balanced or unbalanced, with XLR or TRS jack, with microphone as well as line levels.

LINE LEVEL OUTPUTS: 4 TRS (stereo) jacks. The electronic output stage is built in a servo balanced design which handles monaural (unbalanced) and stereo jacks (balanced) correctly.

Power: Connect power supply, lead-battery or battery. See chapter 5, Power Supply.

6.2 Mic/Line Inputs

The QuadMic provides 4 balanced Mic and Line inputs via 1/4" TRS (stereo) and XLR jacks. The electronic input stage is built in a servo balanced design which handles monaural and stereo jacks correctly. When used unbalanced it automatically corrects the gain by 6 dB.



When using unbalanced cables with stereo TRS jacks, the 'ring' contact of the cable's jack should be connected to pin 1 (ground). Otherwise noise may occur, caused by the unconnected negative input of the balanced input.

The pinout follows international standards. XLR pin 2 + or hot, pin 3 – or cold, pin 1 ground. TRS tip + or hot, ring – or cold.

6.3 Line Outputs

The four short circuit protected, low impedance and servo balanced line outputs are available as (stereo) 1/4" TRS jacks. The electronic output stage is built in a servo balanced design which handles monaural and stereo jacks correctly. When used unbalanced it automatically corrects the gain by 6 dB.

The QuadMic can generate a maximum level of +21 dBu without distortion. The **CLIP** LED lights up 3 dB before the input is overloaded. Referenced to the output level it lights up at around +18 dBu.

The pinout follows international standards. TRS tip + or hot, ring – or cold.

7. Accessories

Part number	Description
RM19	19", 1 unit height rack ears

These 19" rack holders are mounted at the left and right side of the QuadMic. The unit can then be installed into a standard 19" rack.

37011	Power supply for HDSP CardBus card
-------	------------------------------------

Robust and light weight switching power supply, 100V-240V AC, 12V 2 A DC.

8. Warranty

Each individual QuadMic undergoes comprehensive quality control and a complete test at IMM before shipping. The usage of high grade components should guarantee a long and trouble-free operation of the unit.

If you suspect that your product is faulty, please contact your local retailer.

Audio AG grants a limited manufacturer warranty of 6 months from the day of invoice showing the date of sale. The length of the warranty period is different per country. Please contact your local distributor for extended warranty information and service. Note that each country may have regional specific warranty implications.

In any case warranty does not cover damage caused by improper installation or maltreatment - replacement or repair in such cases can only be carried out at the owner's expense.

No warranty service is provided when the product is not returned to the local distributor in the region where the product had been originally shipped.

Audio AG does not accept claims for damages of any kind, especially consequential damage. Liability is limited to the value of the QuadMic. The general terms of business drawn up by Audio AG apply at all times.

9. Appendix

RME news, driver updates and further product information are available on our website:

<http://www.rme-audio.com>

Distributor: Audio AG, Am Pfanderling 60, D-85778 Haimhausen, Tel.: (49) 08133 / 91810

Manufacturer:

IMM Elektronik GmbH, Leipziger Strasse 32, D-09648 Mittweida

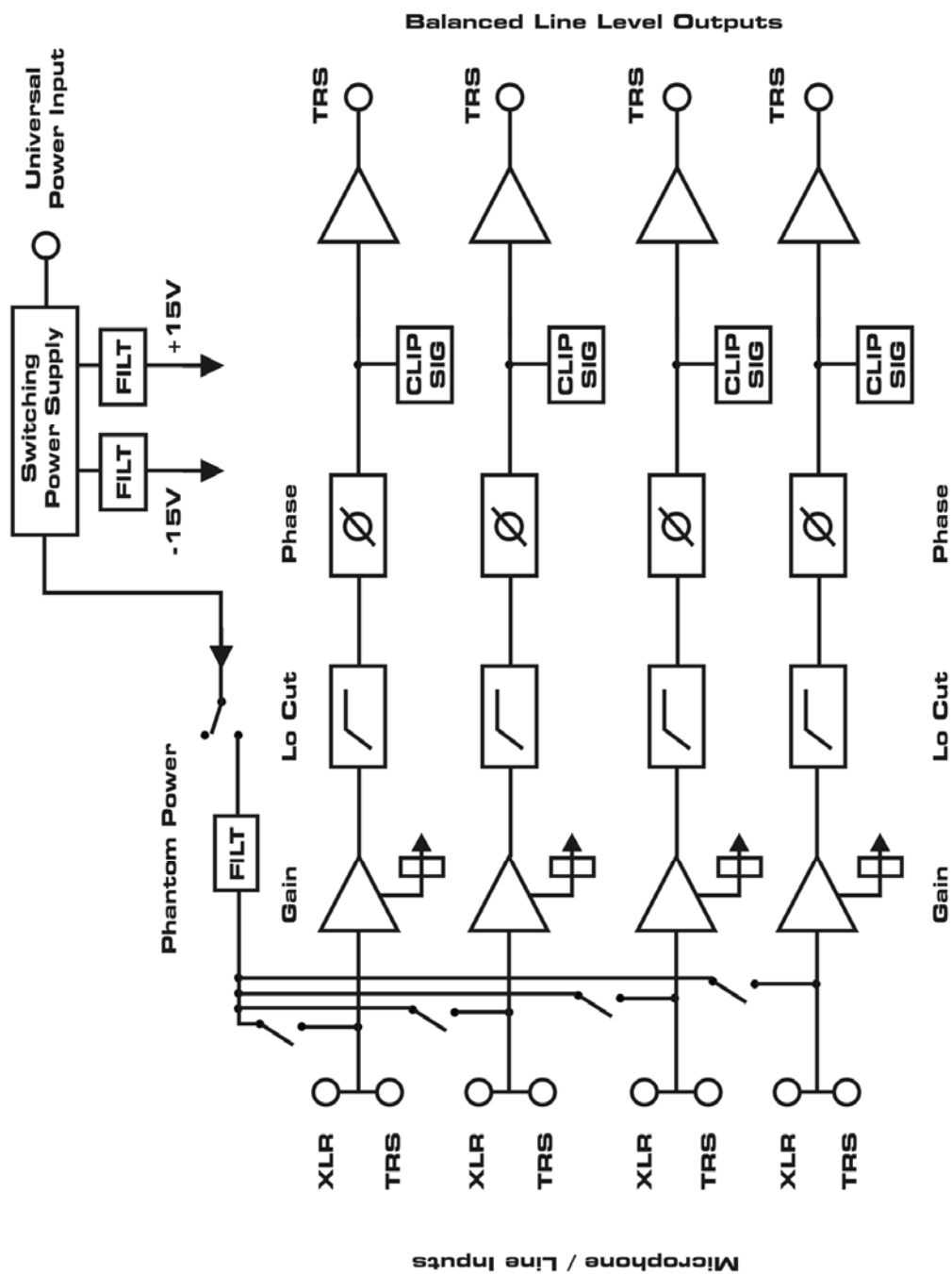
Trademarks

All trademarks, registered or otherwise, are the property of their respective owners. RME is a registered trademark of RME Intelligent Audio Solutions. QuadMic is a trademark of RME Intelligent Audio Solutions.

Copyright © Matthias Carstens, 05/2013. Version 1.0

Although the contents of this User's Guide have been thoroughly checked for errors, RME can not guarantee that it is correct throughout. RME does not accept responsibility for any misleading or incorrect information within this guide. Lending or copying any part of the guide or the RME Driver CD, or any commercial exploitation of these media without express written permission from RME Intelligent Audio Solutions is prohibited. RME reserves the right to change specifications at any time without notice.

10. Block Diagram QuadMic (2013)



11. CE / FCC Compliance Statements

CE

This device has been tested and found to comply with the limits of the European Council Directive on the approximation of the laws of the member states relating to electromagnetic compatibility according to RL2004/108/EG.

FCC

This equipment has been tested and found to comply with the limits for a Class B digital device, pursuant to Part 15 of the FCC Rules. These limits are designed to provide reasonable protection against harmful interference in a residential installation. This equipment generates, uses, and can radiate radio frequency energy and, if not installed and used in accordance with the instructions, may cause harmful interference to radio communications. However, there is no guarantee that interference will not occur in a particular installation. If this equipment does cause harmful interference to radio or television reception, which can be determined by turning the equipment off and on, the user is encouraged to try to correct the interference by one or more of the following measures:

- Reorient or relocate the receiving antenna.
- Increase the separation between the equipment and receiver.
- Connect the equipment into an outlet on a circuit different from that to which the receiver is connected.
- Consult the dealer or an experienced radio/TV technician for help.

RoHS

This product has been soldered lead-free and fulfils the requirements of the RoHS directive.

ISO 9001

This product has been manufactured under ISO 9001 quality management. The manufacturer, IMM Elektronik GmbH, is also certified for ISO 14001 (Environment) and ISO 13485 (medical devices).

Note on Disposal

According to the guide line RL2002/96/EG (WEEE – Directive on Waste Electrical and Electronic Equipment), valid for all european countries, this product has to be recycled at the end of its lifetime.

In case a disposal of electronic waste is not possible, the recycling can also be done by IMM Elektronik GmbH, the manufacturer of the QuadMic.

For this the device has to be sent **free to the door** to:

IMM Elektronik GmbH
Leipziger Straße 32
D-09648 Mittweida
Germany



Shipments not prepaid will be rejected and returned on the original sender's costs.